

WHEELCHAIR
FAUTEUIL ROULANT
ROLSTOEL



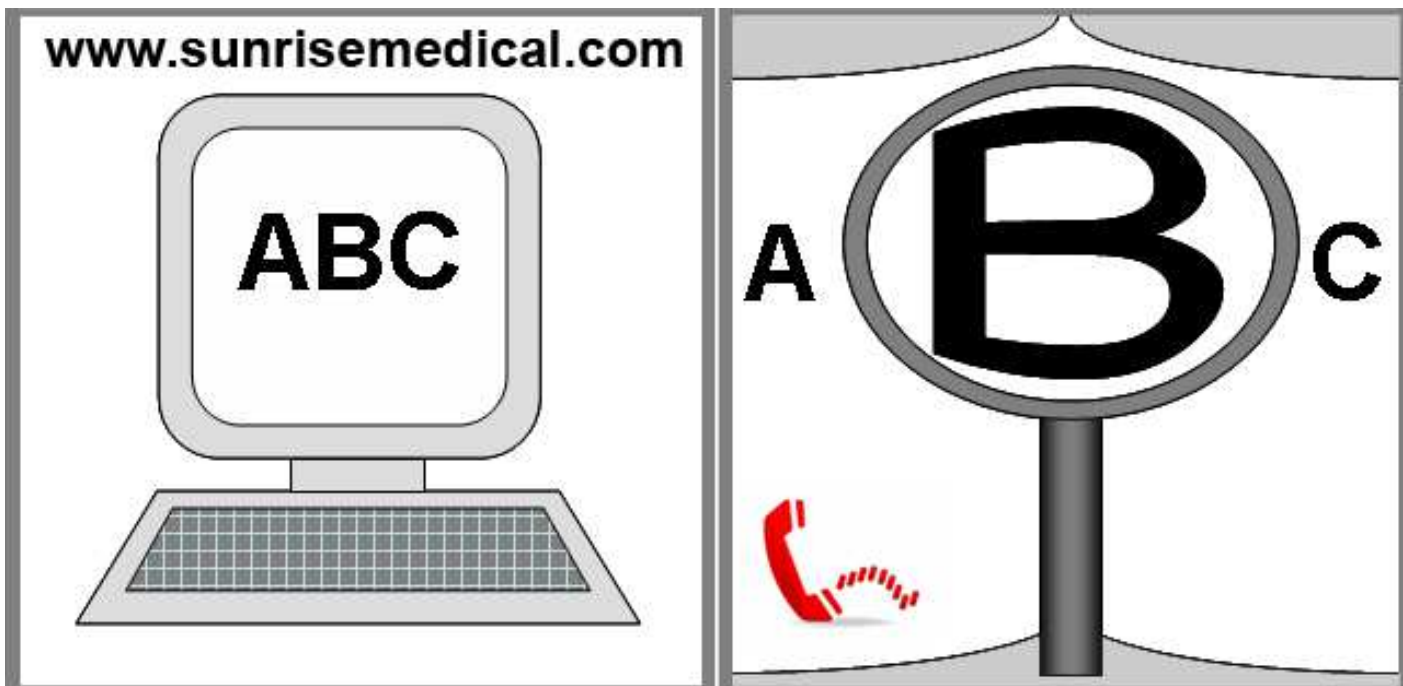
Argon²

DIRECTIONS FOR USE
NOTICE D'UTILISATION
GEBRUIKERSHANDLEIDING



QUICKIE®

000690386.01



IF YOU ARE VISUALLY IMPAIRED, THIS DOCUMENT CAN BE VIEWED IN PDF FORMAT AT WWW.SUNRISEMEDICAL.COM OR ALTERNATIVELY IS AVAILABLE ON REQUEST IN LARGE TEXT.

SI VOUS SOUFFREZ DE DÉFICIENCE VISUELLE, CE DOCUMENT PEUT ÊTRE CONSULTÉ EN FORMAT PDF SUR WWW.SUNRISEMEDICAL.FR OU VOUS ÊTRE ENVOYÉ EN GRANDS CARACTÈRES, SUR DEMANDE.

ALS U VISUEEL GEHANDICAPT BENT KAN DIT DOCUMENT OOK WORDEN GELEZEN IN PDF-FORMAAT OP WWW.SUNRISEMEDICAL.COM EN IS OOK BESCHIKBAAR IN GROTE TEKST FORMAAT OP AANVRAAG.

Wheelchair Components

EN 

We at SUNRISE MEDICAL have been awarded the ISO-9001 certificate, which affirms the quality of our products at every stage, from R & D to production. This products meet the requirements in accordance with EC guidelines. Options or accessories shown are available at extra cost.

Description du fauteuil

FR 

SUNRISE MEDICAL est certifié ISO -9001, une norme qui garantit la qualité des produits à toutes les étapes, de la conception à la production, en passant par la recherche et le développement. Ce produit est conforme aux directives de la Communauté européenne. Les options ou accessoires illustrés sont disponibles moyennant un coût supplémentaire.

Rolstoelonderdelen

NL 

SUNRISE MEDICAL heeft het ISO 9001 certificaat toegekend gekregen, een bewijs van de kwaliteit van onze processen in elk stadium, vanaf het onderzoek en de ontwikkeling tot de productie. Deze producten voldoen aan de vereisten in overeenstemming met Europese richtlijnen. Getoonde opties en accessoires zijn tegen betaling verkrijgbaar.



Wheelchairs:

1. Push handles
2. Backrest upholstery
3. Sideguard
4. Seat sling
5. Footrest
6. Castors
7. Footboard
8. Fork
9. Quick-release axle
10. Wheel locks
11. Handrim
12. Rear wheel



Fauteuils roulants :

1. Poignées de poussée
2. Toile de dossier
3. Protège-vêtement
4. Toile d'assise
5. Repose-pieds
6. Roues avant
7. Palette
8. Fourche
9. Axe à déverrouillage rapide
10. Freins
11. Main courante
12. Roue arrière



Rolstoelonderdelen:

1. Duwhandvatten
2. Rugbekleding
3. Zijkanten
4. Zitbekleding
5. Voetsteun
6. Voorwielen
7. Voetplaat
8. Vork
9. Quick release assen
10. Remmen
11. Hoepel
12. Achterwiel



Table of Contents

8



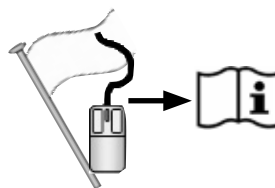
Sommaire






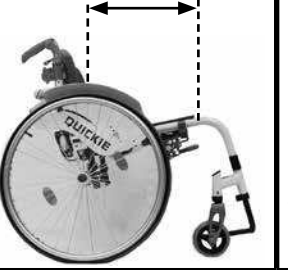
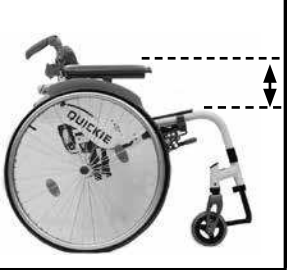
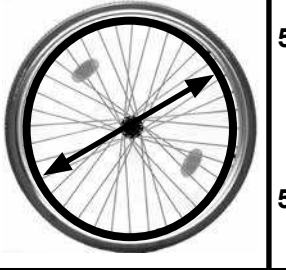
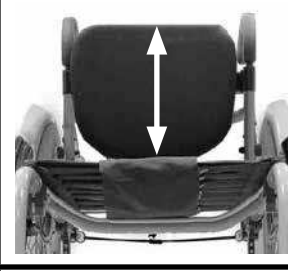
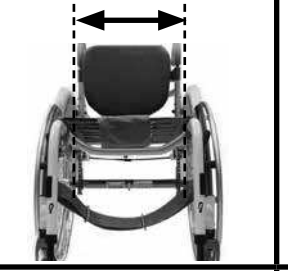
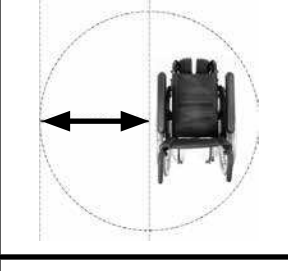
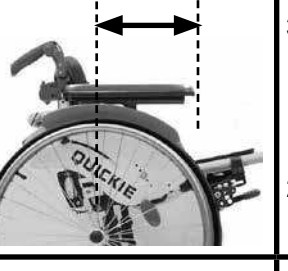
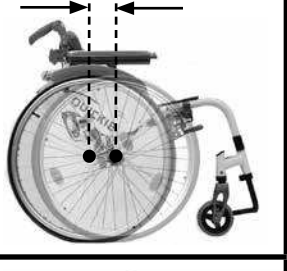



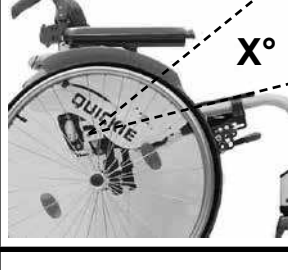
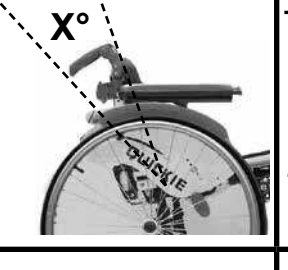
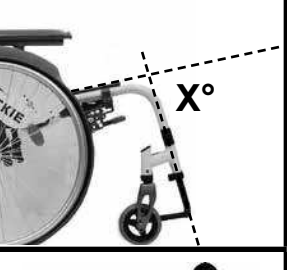
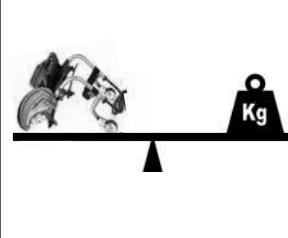
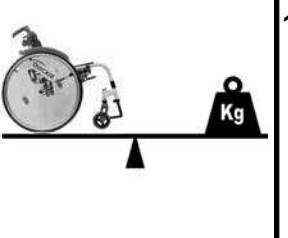

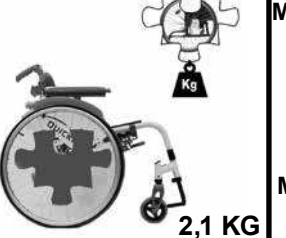
29

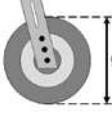
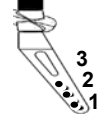
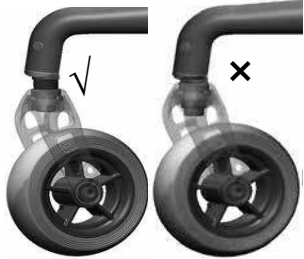








Inhoudsopgave

50



	1050 ↑ 700		760 ↑ 560		1120 ↑ 690		500 ↑ 220
	520 ↑ 440		500 ↑ 300		365 ↑ 230		567 ↑ 540
	450 ↑ 250		500 ↑ 300				MAX ↑ MIN mm
	710 ↑ 510		325 ↑ 275		+11 ↑ -100		MAX ↑ MIN mm
	10° ↑ 0°		10° ↑ 0°		10° ↑ 0°		< MAX ↑ ↓ MIN.
	15° ↑ 0°		+15° ↑ -31°		100° ↑ 92°		< MAX ↑ ↓ MIN
	10,0 ↑ 6,9		15,0 ↑ 9,0		140 ↑ ---		MAX ↑ ↓ MIN kg

  111 mm	 1,0 cm	 h"							
		44	45	46	47	48	49	50	
3" 75 mm	1	√	x	x	x	√	x	x	x
	1	x	x	√	x	x	x	x	x
	2	√	x	x	x	x	x	x	x
	2	x	√	x	x	x	x	x	x
	3	x	x	x	x	x	x	x	x
4" 98 mm	1	√	x	x	x	x	√	x	x
	1	x	x	x	x	√	x	x	x
	2	√	x	x	√	x	x	x	x
	2	x	x	√	x	x	x	x	x
	3	√	x	x	x	x	x	x	x
	3	x	√	x	x	x	x	x	x
5" 124 mm	1	√	x	x	x	x	x	√	x
	1	x	x	x	x		√	x	x
	2	x	x	x	x	√	x	x	x
	3	x	x	x	x	x	x	x	x

  123 mm	 	 h"								
		45	46	47	48	49	50	51	52	
3" 75mm	1	√	x	x	x	x	√	x	x	x
	1	x	x	x	√	x	x	x	x	x
	2	√	x	x	√	x	x	x	x	x
	2	x	√	x	x	x	x	x	x	x
	3	x	x	x	x	x	x	x	x	x
4" 98mm	1	√	x	x	x	x	√	x	x	x
	1	x	x	x	x	√	x	x	x	x
	2	x	x	x	√	x	x	x	x	x
	3	√	x	√	x	x	x	x	x	x
	3	x	√	x	x	x	x	x	x	x
5" 124mm	1	√	x	x	x	x	x	√	x	x
	1	x	x	x	x	x	√	x	x	x
	2	x	x	x	x	√	x	x	x	x
	3	x	x	x	√	x	x	x	x	x
6" 140mm	1	√	x	x	x	x	x	x	√	x
	1	x	x	x	x	x	x	√	x	x
	2	x	x	x	x	x	√	x	x	x
	3	x	x	x	x	x	x	x	x	x

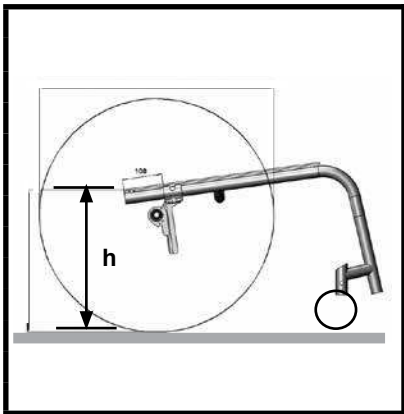
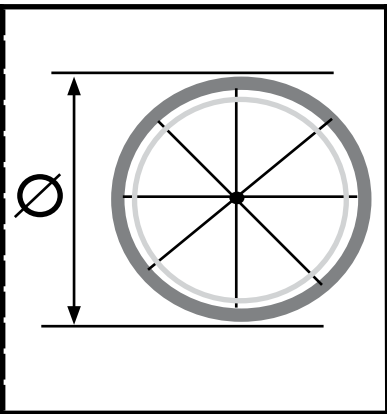
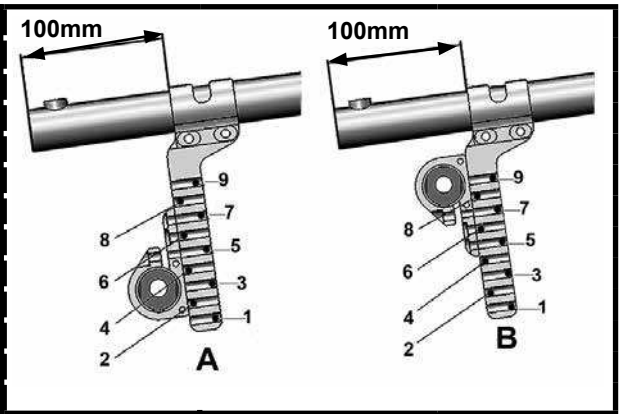




				
<p>h =</p> <p>46" 45" 44" 43" 42" 40" 39" 37" 36" 35" 34"</p>	<p>Ø 22" (489)</p>	<p>6° - 9°</p>	<p>A2 A3 A4 A4 A5 A6 A7 A8 B2 B3 B4 B5</p>	<p>0° - 3°</p>
<p>h =</p> <p>49" 48" 47" 45" 44" 43" 42" 41" 40" 39" 37" 36"</p>	<p>Ø 24" (540)</p>	<p>6° - 9°</p>	<p>A2 A3 A4 A4 A5 A6 A6 A7 A7 A8 A9 B2 B3 B4 B5</p>	<p>0° - 3°</p>
<p>h =</p> <p>50" 49" 48" 47" 45" 44" 43" 42" 41" 39" 38" 37"</p>	<p>Ø 25" (559)</p>	<p>6° - 9°</p>	<p>A2 A3 A4 A5 A6 A7 A7 A8 A9 A8 B2 B3 B4 B5</p>	<p>0° - 3°</p>
<p>h =</p> <p>52" 50" 49" 48" 47" 46" 45" 43" 42" 41" 40" 39"</p>	<p>Ø 26" (590)</p>	<p>6° - 9°</p>	<p>A2 A4 A3 A4 A5 A5 A6 A7 A8 A9 B2 B3 B4 B5</p>	<p>0° - 3°</p>

Table of Contents

Definitions 8
Foreword 9
Use 9
Area of application 9
1.0 General safety notes and driving limits 10
2.0 Handling 12
3.0 Transporting the chair 12
4.0 Options 12
 Step Tubes 12
 Wheel Locks (Brakes) 13
 Hand-Bike Axle Adjustment 14
 Footplate Adjustment 15
 Footboard 15
 Seat 16
 Seat height 16
 Castors 16
 Wheel alignment 17
 Backrest 17
 Sideguard 18
 Push Handles 19
 Anti-Tip Tubes 20
 Crutch holder 21
 Travel Wheels 21
 Anteria Lateral Support (Lap belt) 21
5.0 Tyres and Mounting 22
6.0 Maintenance and care 22
7.0 Disposal / Recycling of materials 23
8.0 Trouble-shooting 23
9.0 Transportability 24
10.0 Nameplate 26
11.0 Guarantee 27
12.0 Technical Data 28
13.0 Torque 28

Definitions

3.1 Definitions of words used in this manual

Word	Definition
 DANGER!	Advice to the user of Potential Risk of serious injury or death if the advice is not followed
 WARNING!	Advice to the user of a potential risk of injury if the advice is not followed
 CAUTION!	Advice to user that potential damage to equipment may occur if the advice is not followed
NOTE:	General advice or best practice
	Reference To Additional Documentation

NOTE:

The wheelchairs shown and described in this user guide may not correspond in every detail exactly to your own model. However, all instructions are completely relevant, regardless of possible detail differences. The manufacturer reserves the right to alter without notice any weights, measurements or other technical data shown in this manual. All figures, measurements and capacities shown in this manual are approximate, and do not constitute specifications.

NOTE:

Please keep a note of your local service agent's address and telephone number in the space provided. In the event of a breakdown, contact them and try to give all relevant details so they can help you quickly.

Dealer signature and stamp

Foreword

Dear Customer,

We are very pleased that you have decided in favour of a high-quality SUNRISE MEDICAL product.

This Owner's manual will provide numerous tips and ideas so that your new wheelchair can become a trustworthy and reliable partner in your life.

For Sunrise Medical, it is very important that we have a good relationship with our customers. We like to keep you up-to-date about new and current developments at our company. Keeping close to our customers means: fast service, as little red tape as possible, working closely with customers. When you need replacement parts or accessories, or if you just have a question about your wheelchair – we are there for you.

We want you to be satisfied with our products and service. At Sunrise Medical we are constantly working to develop our products further. For this reason, changes can occur in our palette of products with regard to form, technology, and equipment. Consequently, no claims can be construed from the data or pictures contained in this Owner's manual.

The management system of SUNRISE MEDICAL is certified to EN ISO 9001, ISO 13485 and ISO 14001.



As the manufacturer, SUNRISE MEDICAL, declares that the lightweight wheelchairs conform to the 93/42/EEC / 2007/47/EEC guideline.

Please contact your local, authorised SUNRISE MEDICAL dealer if you have any questions regarding the use, maintenance or safety of your wheelchair.

In case there is no authorised dealer in your area or you have any questions, contact Sunrise Medical either in writing or by telephone.



IMPORTANT:
DO NOT USE YOUR WHEELCHAIR UNTIL THIS MANUAL HAS BEEN READ AND UNDERSTOOD.

Sunrise Medical
Thorns Road
Brierley Hill
West Midlands
DY5 2LD
England
Phone: 0845 605 66 88
Fax: 0845 605 66 89
www.SunriseMedical.com

Use

Wheelchairs are exclusively for a user who is unable to walk or has limited mobility, for their own personal use in- and outdoor.

The maximum weight limit (includes the user and any weight of accessories fitted to the wheelchair) is marked on the serial number label, which is affixed to the Axle Tube below the seat.

Warranty can only be taken on if the product is used under the specified conditions and for the intended purposes.

The expected life of the wheelchair is 5 years.

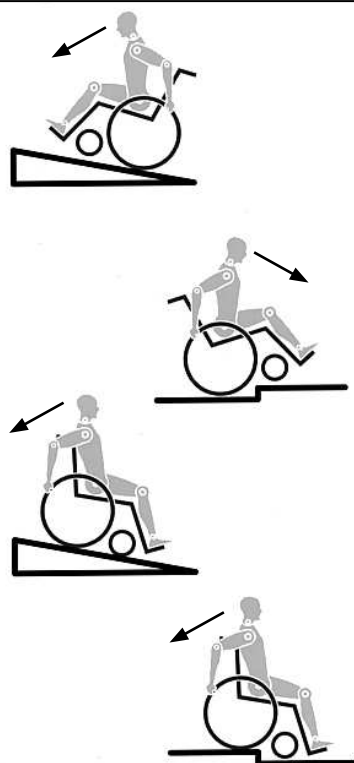
Please DO NOT use or fit any 3rd party components to the wheelchair unless they are officially approved by Sunrise Medical.

Area of application

The variety of fitting variants as well as the modular design mean that it can be used by those who cannot walk or have limited mobility because of:

- Paralysis
- Loss of extremity (leg amputation)
- Extremity defect deformity
- Joint contractures/joint injuries
- Illnesses such as heart and circulation deficiencies, disturbance of equilibrium or cachexia as well as for elderly people who still have strength in the upper body.

When considering provision, please also note the body size, weight, physical and psychological constitution, the age of the person, living conditions and environment.



The engineering and construction of this wheelchair has been designed to provide maximum safety. International safety standards currently in force have either been fulfilled or exceeded in parts. Nevertheless, users may put themselves at risk by improperly using their wheelchairs. For your own safety, the following rules must be strictly observed.

Unprofessional or erroneous changes or adjustments increase the risk of accident. As a wheelchair user, you are also part of the daily traffic on streets and pavements, just like anyone else. We would like to remind you that you are therefore also subject to any and all traffic laws. Be careful during your first ride in this wheelchair. Get to know your wheelchair.

Before each use, the following should be checked:

- Quick-release axles on the rear wheels
- Velcro on seats and backrests
- Tyres, tyre pressure and wheel locks.

Before changing any of the adjustments of this wheelchair, it is important to read the corresponding section of the user's manual.

It is possible that potholes or uneven ground could cause this wheelchair to tip over, especially when riding uphill or downhill. When riding over a step or up an incline frontally, the body should be leaning forward.

⚠ DANGER!

- NEVER exceed the maximum load of 140 kg, (100kg with hand bike axle), for driver plus any items carried on the wheelchair. If you exceed the maximum load, this can lead to damage to the chair, or you may fall or tip over, lose control and may lead to serious injury of the user and other people.
- When it is dark, please wear light clothing or clothing with reflectors, so that you can be seen more easily. Make sure that the reflectors on the side and back of the wheelchair are clearly visible. We would also recommend that you fit an active light..

- To avoid falls and dangerous situations, you should first practice using your new wheelchair on level ground with good visibility.
- When getting on or off the wheelchair, do not use the footboards. These should be flipped up beforehand and swung to the outside as far as possible. Always position yourself as close as possible to the place where you wish to sit.
- Only use your wheelchair properly. For example, avoid travelling against an obstacle without braking (step, kerb edge) or dropping down gaps.
- The wheel locks are not intended to brake your wheelchair. They are only there to ensure that your wheelchair does not begin rolling unintentionally. When you stop on uneven ground, you should always use the wheel locks to prevent such rolling. Always apply both wheel locks; otherwise, your wheelchair could tip over.
- Explore the effects of changing the centre of gravity on the behaviour of the wheelchair, for example on inclines, slopes, all gradients, or when overcoming obstacles. Do this with the secure aid of a helper.
- With extreme settings (e.g. rear wheels in the most forward position) and less than perfect posture, the wheelchair may tip over even on a level surface.
- Lean your upper body further forward when going up slopes and steps.
- Lean your upper body further back when going down slopes and steps. Never try to climb and descend a slope diagonally.
- Avoid using an escalator which may lead to serious injury in the event of a fall.
- Do not use the wheelchair on slopes $> 10^\circ$. The Dynamic safe slope is dependant on the chair configuration, the users abilities and the style of riding. As the users abilities and style of riding cannot be pre-determined then the max safe slope cannot be determined. Therefore this must be determined by the user with the assistance of an attendant to prevent tipping. It is strongly recommended that inexperienced users have Ant-tips fitted.
- It is possible that potholes or uneven ground could cause this wheelchair to tip over, especially when riding uphill or downhill.
- Do not use your wheelchair on muddy or icy ground. Do not use your wheelchair where pedestrians are not allowed.
- To avoid hand injuries do not grab in between the spokes or between the rear wheel and wheel lock when driving the wheelchair.
- In particular when using lightweight metal handrims, fingers will easily become hot when braking from a high speed or on long inclines.
- Only attempt stairs with the help of an attendant. There is equipment available to help you, e.g. climbing ramps or lifts, please use them. If there is no such equipment available, then the wheelchair must be tipped and pushed, never carried, over the steps (2 helpers). We recommend that users over 100 kg in weight do not use this stairway manoeuvre!
- In general, any anti-tip tubes fitted must be set beforehand, so that they cannot touch the steps, as otherwise this could lead to a serious tumble. Afterwards the anti-tip tubes must be set back to their correct position.
- Make sure that the attendant only holds the wheelchair using securely mounted parts (e.g. not on the footrests or the sideguards).

- When using the lifting ramp make sure that the anti-tip tubes fitted are positioned outside the danger area.
- Secure your wheelchair on uneven ground or when transferring (e.g. into a car) by using the brakes.
- If and whenever possible, during a journey in a specially fitted vehicle for disabled people, vehicle occupants should use the seats in the vehicle and the appropriate restraint system. This is the only way to ensure that occupants will have the maximum protection if there is an accident. When using safety elements offered by SUNRISE MEDICAL and using a specially designed safety system, lightweight wheelchairs can be used as a seat when being transported in a specially fitted vehicle. (See the Chapter on “Transportation”).
- Depending on the diameter and setting of the castors, as well as the centre of gravity setting of the wheelchair, the castors may begin to wobble at high speeds. This can lead to the castors being blocked and the wheelchair may tip over. Therefore, please make sure that the castors are adjusted correctly (see the Chapter “Castors”). In particular, do not travel on an incline without brakes, travel at a reduced speed. We recommend that novice users use anti-tip tubes.
- Anti-tip tubes should prevent the chair tipping over backwards unintentionally. Under no circumstances should they take the place of transit wheels, and be used to transport a person in a wheelchair with the rear wheels removed.
- When reaching for objects (which are in front of, to the side or behind the wheelchair) make sure that you do not lean too far out of the wheelchair, as if you change the centre of gravity there is a risk of tipping or rolling over. The hanging of additional load (back pack or similar items) onto your chair backposts can affect the rearward stability of your chair, especially when used in combination with recliner backrests. This can cause the chair to tip backwards causing injury.
- For thigh amputees you must use anti-tip tubes.
- Before setting off, check that your tyre pressure is correct. For rear wheels it should be at least 3.5 bar (350 kPa). The max. pressure is indicated on the tyre. The knee-lever brakes will only work if there is sufficient tyre pressure and if the correct setting has been made (see the Chapter on “Brakes”).
- If the seat and back sling are damaged, you must replace them immediately.
- Be careful with fire, in particular with burning cigarettes. Seat and back slings can be set alight.
- If the wheelchair is subject to direct sunlight for a long period of time, then parts of the wheelchair (e.g. frame, legrests, brakes and sideguard) may become hot (>41°C).
- Always make sure that the quick-release axles on the rear wheels are set properly and lock in. If the button on the quick-release axle is not pressed in, the rear wheel cannot be removed.

WARNING !

- The effect of the knee-lever brake as well as the general driving characteristics are dependant on tyre pressure. The wheelchair is significantly lighter and easier to manoeuvre when the rear wheels are pumped up correctly and both wheels have the same pressure.
- Make sure that your tyres have sufficient tread! Please note that you are subject to any and all traffic laws when driving in public traffic.
- Always be careful with your fingers when working or adjusting the wheelchair!
- Settings on the wheelchair should only be carried out by competent persons.

WARNING !

Choking Hazard – This mobility aid uses small parts which under certain circumstances may present a choking hazard to young children.

The products shown and described in this manual may not be exactly the same in every detail as your own model. However, all instructions are still entirely relevant, irrespective of detail differences.

The manufacturer reserves the right to alter without notice any weights, measurements or other technical data shown in this manual. All figures, measurements and capacities shown in this manual are approximate and do not constitute specifications.

We at SUNRISE MEDICAL have been awarded the ISO 9001 Certificate, which affirms the quality of our products at every stage, from R & D to production. This product complies with the standards set forth in EU directives. Optional equipment and accessories are available at extra charge.

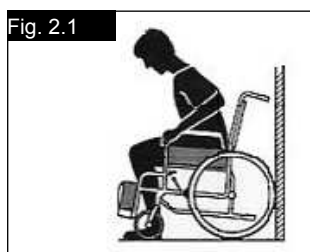
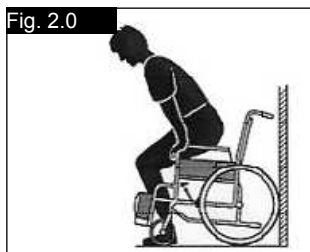
2.0 Handling

Getting Into Your Wheelchair On Your Own

- Push the wheelchair to a wall or a solid piece of furniture.
- Apply the brakes;
- The user can lower themselves into the wheelchair;
- Then position the feet in front of the heel straps (Fig.2.0).

Getting out of your wheelchair on your own

- Apply the brakes;
- With one hand on the wheel or side guard, the person should lean forwards slightly, to transfer the body weight to the front edge of the seat and then push up to an upright position with both feet firmly on the floor and one foot behind the other (Fig.2.1).

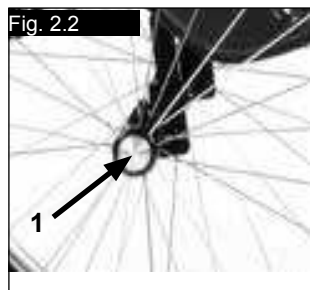


Quick-Release Axles On Rear Wheel

The rear wheels are equipped with quick-release axles.

The wheels can, therefore, be installed or removed without using tools.

To remove a wheel, simply depress the quick-release button on the axle (1) and pull it out (Fig.2.2).



⚠ CAUTION !

Hold the quick-release button on the axle depressed when inserting the axle into the frame to mount the rear wheels. Release the button to lock the wheel in place. The quick-release button should snap back to its original position

3.0 Transporting the chair

Transporting The Chair

Removing the rear wheels will keep the chair as compact as possible. The backrest can be folded down by pulling the cord (1) (see picture 3) located on the backrest (Fig.3.0-3.1).



⚠ CAUTION !

When folding the backrest down, please make sure that your fingers do not get caught.

4.0 Options

Step Tubes

Step Tubes

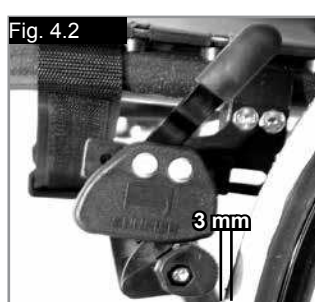
Step tubes are used by attendants to push a wheelchair over an obstacle. Simply step on the tube to push a wheelchair, for example, over a kerb or step, (Fig.4.0).

⚠ WARNING!

Sunrise Medical strongly recommends the use of a step tube on any model where attendant use is the predominant intended use. Damage to the backposts may occur if you constantly use the backpost without a step tube, as a lever to pull back on to tip the wheelchair.



Wheel Locks (Brakes)



⚠ CAUTION !

Braking efficiency can be affected by:

- Incorrect fitting of the brake assembly.
- Incorrect adjustment of the assembly.
- Incorrect tyre pressures.
- Worn tyre treads.
- Wet tyres.

Wheel Locks

Your wheelchair is equipped with two wheel locks. They are applied directly against the tyres. To engage, press both brake levers forward against the stops. To release the locks, pull the levers back to their original positions.

The wheel locks have not been designed to be used as brakes for a moving wheelchair. The wheel locks should therefore never be used to brake a moving wheelchair. Always use the hand-rims for braking. Make sure that the gap between the tyres and wheel locks complies with given specifications. To re-adjust, loosen the screw and set the appropriate gap. Then re-tighten the screw (Fig. 4.1 and 4.2).

⚠ CAUTION !

After each adjustment of the rear wheels, check the wheel lock gap and re-adjust if necessary.

Brake Lever Extension

The longer lever helps to minimise the effort needed to set the wheel locks.

The brake lever extension is screwed to the brakes. By raising this, it can be flipped forward (Fig. 4.3).

⚠ CAUTION !

Mounting the wheel lock too close towards the wheel will result in a higher effort to operate. This might cause the brake lever extension to break!

Leaning onto the brake lever extension while transferring will cause the lever to break! Splashing water from tyres might cause the wheel lock to malfunction.

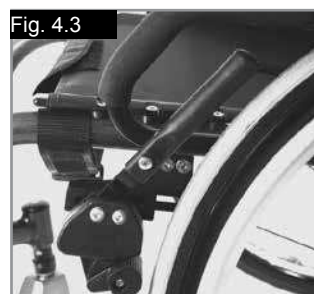
⚠ CAUTION !

Incorrect mounting of the wheel lock will result in a higher effort to operate.

This might cause the wheel lock extension lever to break.

Compact Brakes

Compact brakes are underneath the seat sling and are operated by pulling the brakes towards the rear, in the direction of the tyre. For the brakes to work properly, this must be pulled until it reaches the stops, (Fig.4.4).



The One-arm Wheel Lock

The one arm wheel lock is underneath the seat sling and is operated by pulling the brake lever, which is located on the left or right side, towards the rear, in the direction of the tyre. For the brakes to work properly, this must be pulled until it reaches the stop, (Fig.4.5)

Adjustment

To adjust the brake, loose the screws (1) and mount the wheel lock where it will work in a proper way (Fig.4.6).

⚠ CAUTION!

Incorrect mounting of the one arm wheel lock can lead to serious injury of the user and other people.



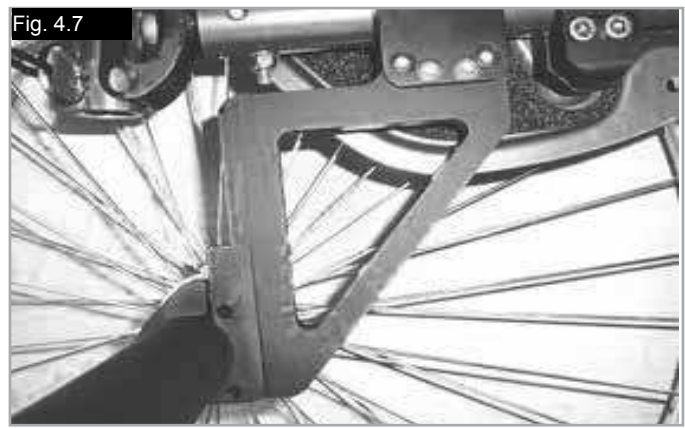
Hand-Bike Axle Adjustment

Hand-Bike-Axle

It is necessary to adjust the hand-bike axle to bias the centre of gravity rearwards. This allows safe use of a hand-bike accessory, (Fig.4.7).

⚠ DANGER!

Using a hand-bike without the hand-bike axle makes the wheelchair unstable and can lead to serious injury of the user and other people.



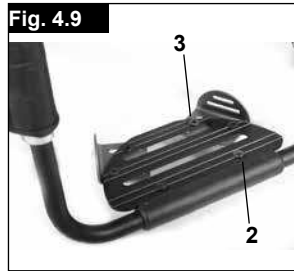
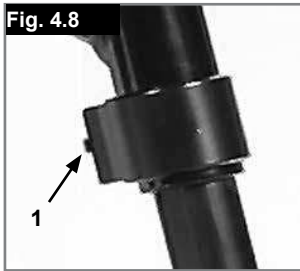
Footplate Adjustment

Adjusting The Footrest

WARNING!

- **Attendant: Do not stand on the footboard! Even if the user is sitting in the chair, there is still a risk of tipping over and injury.**
- **User: When transferring, do not stand on the footboard, there is a risk of tipping over and injury.**

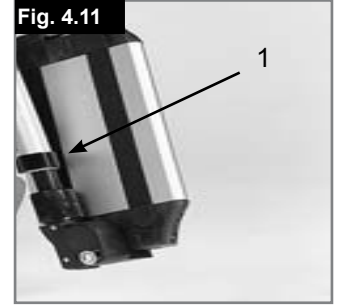
Releasing the screw (1) will allow you to adjust the footrest to correspond to the length of your lower leg and re-attach the footrest. The angle of the footrest may be individually adjusted by loosening screws (2). The side protection (3) on the footrest prevents the feet slipping off accidentally. Make sure that after any adjustment work, all screws are tightened correctly (see the page on torque) (Fig. 4.8 - 4.9).



Footboard

Footrest - Aluminium

There are several footboards available. These can be flipped up to make it easier to transfer to/from the chair, (Fig.4.11).



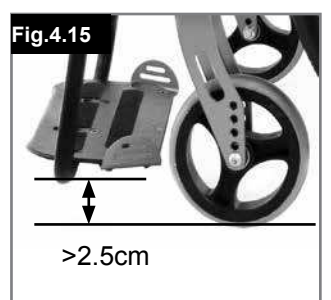
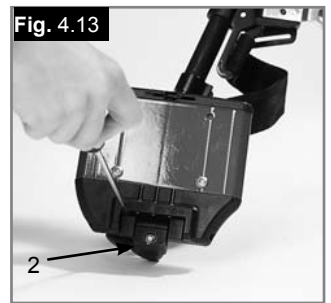
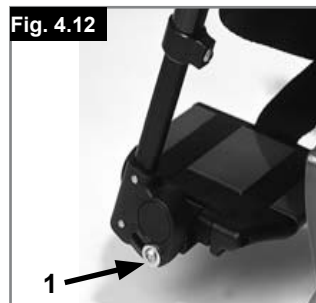
Angle-Adjustable Footboard

The footboard can be flipped up to make it easier to transfer to and from the chair, (Fig.4.12-4.14). It can be adjusted to alter the angle to the ground. Tighten screw (1) on the outside. By loosening the clips (2) the footboard can be moved to three positions both forwards and backwards. By adjusting the set screw (3) the footboard can be changed to a horizontal position. To do this, the footboard must be flipped up. Make sure that after any adjustment work, all screws are tightened correctly (see the page on torque). Ensure that you maintain the minimum gap to the floor of 2.5 cm (Fig.4.15).

Footrest - Plastic

Footplates:

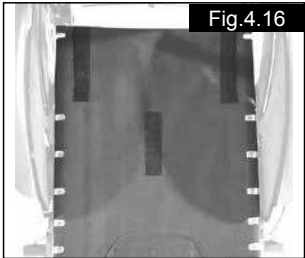
The footplates can be flipped up to make it easier to transfer to/from the chair.



Seat

Seat Sling

Remove the screws on the left side of the sling. Adjust the VELCRO® material to increase the tension of the seat sling. Tighten up the screws again.



If the screws are difficult to fit back in place, try and locate the holes with a sharp object.

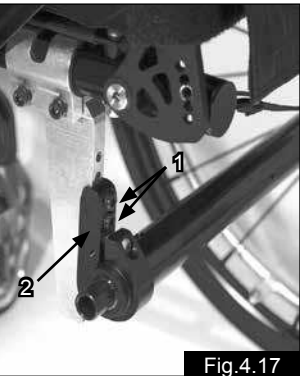
Ensure also that the plastic base is in the correct position before the screws are tightened again, (Fig.4.16).

Seat height

Adjusting the Seat Height (Fig.4.17)

To adjust rear seat height, slacken and remove the 4 screws (1) (2 each side), which secures the clamp (2) Adjust the two clamps to the required height and replace the 4 screws. Before tightening the screws, please follow the instructions for setting the toe-in/toe-out to zero (See Fig.4.19-4.20). Tighten the screws to 7 Nm.

NOTE: An adjustment to the castor angle may be necessary when adjusting the rear seat height.



Castors

Castor, Castor Adapter, Castor Fork

From time to time the wheelchair may veer slightly to the right or left, or the castors may flutter. This may be caused by the following:

- The forward or reverse wheel motion has not been set properly.
- The castor angle has not been adjusted properly.
- Castor and/or rear wheel air pressure is incorrect; wheels do not turn smoothly.

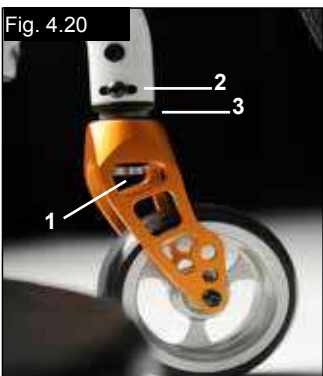
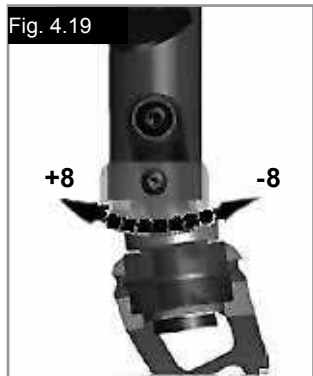
The optimum adjustment of the castors is required for the wheelchair to run in a straight line. Castors should always be adjusted by an authorized dealer. The castor plates must be re-adjusted, and the wheel locks must be checked any time the rear wheel position has been altered.

Adjusting the Castor

To ensure that both forks are set parallel, simply count the teeth visible on both sides. After setting the castor fork, the teeth will guarantee a secure position, allowing an adjustment of 16° in 2° increments. Use the flat side on the front of the castor fork to check for a right-angled position to the ground (Fig. 4.19). The patented design allows the castor fork to be turned, so that it can be reset at right-angles to the ground when the seat angle is changed.

Setting the Directional Stability

Release the Allen screws (1) on the underside of the fork. You can then undo the screw (2). You can now turn the black socket (3) left or right.
 Left – chair pulls to the left
 Right – chair pulls to the right
 Then tighten up the screw (2) again. Please set a 90° angle from the fork to the floor.
 Now tighten up the screw (1) again. (Fig. 4.20).



Wheel alignment

Adjusting The Wheel Alignment

Important: To achieve the very best movement, the rear wheels must be adjusted to their optimum position, which means correctly adjusting the wheel alignment.

To do this, measure the distance between both wheels front and rear to ensure that they are parallel to one another.

The difference between both measurements should not exceed 5 mm.

To adjust the wheels to make them parallel, loosen the screws and turn the axle sleeve accordingly. Make sure that after any adjustment work, all screws are tightened correctly (see the page on torque).

Argon2 Tracking Adjustment

Setting the toe-in/toe-out to zero.

NOTE: A wheelchair with 0° camber cylinders cannot have toe-in or toe-out. This setting is necessary only with 3°, 6° and 9° camber cylinders.

The term "toe-in or toe-out" defines how well the rear wheels of the chair are aligned in relation to the ground. This determines how well the chair will run. Normal resistance or rolling resistance is present when toe-in is set to zero.

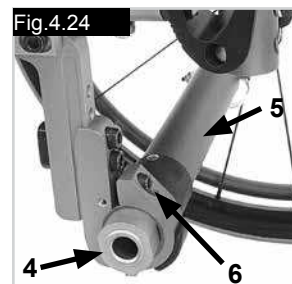
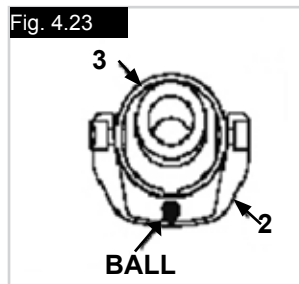
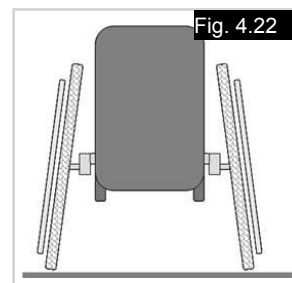
To set toe-in/toe-out to zero: loosen the Allen screws (1) (1 on each side), which secure the angle tube clamp. Check the ball in the horizontal (2) plane and turn the angle tube (3) until the ball is in the centre. Toe-in is now zero.

Before tightening the screws (1), check that the camber tube is centred left-to-right. The gap should be the same on both sides, or there should be no gap at all. Tighten the screws to 7 Nm. (Fig. 4.21-4.23).

Adjusting the Rear Wheelbase Width:

The rear wheelbase is defined as the distance between the upper side of the rear wheels and the backrest tubes, and is represented by factory setting (1.25 cm). This has to be increased if a larger gap between the tyres and the optional height-adjustable armrests has to be created (Fig. 4.24).

NOTE: When adjusting the rear wheelbase, adjust first one wheel then the other. If both sides are loosened at the same time, this will alter the toe-in/toe-out adjustment. To adjust the rear wheelbase, the parts of the camber (4) move telescopically into or out of the camber tube (5), and lock into place when they reach the end. Loosen screw (6) (located closest to the camber tube) on the left side of the chair. Move the quick-release axle inwards or outwards to achieve the desired wheelbase. Tighten the screws to 7 Nm. Repeat this procedure on the right side of the chair and adjust the gap so that it is the same amount as on the left side.



Backrest

Angle-Adjustable Back

The backrest angle is adjusted by altering the position of the pin in the backrest mounting. The pin (1) must be completely clicked into place in the hole pattern on both sides, this gives you an angle adjustment of 8.5°.

Fit the red plastic pins into the unused holes. To reach a smaller angle increment (3.5°), you open the allen key screw (2) and re-set the screw into the second hole. Please use the relevant torque force (see matrix) to tighten the screw (2).

This gives you 12° change in the back angle. Then move the pin (1) in the opposite direction to the next hole, which gives you 12° - 8° = 3.5° change. (Fig. 4.25)

To reduce the play in the backrest, the nut (1) can be released, then the optimal position can be set using the set screw (2). Then re-tighten the nut (1). (Fig. 4.26).

⚠ CAUTION !

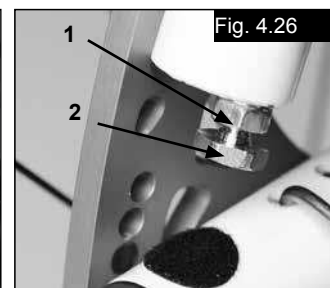
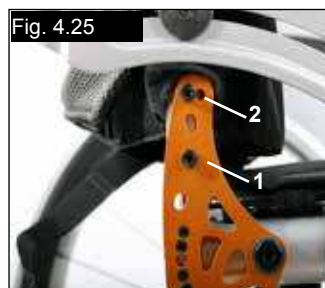
The screws must be re-tightened. Otherwise the angle adjustment will be lost.

Folding Backrest

Release the backrest by pulling the cord. At the same time, push it forward to fold it down. To return the backrest to its original position, this must be pulled back as far as possible, until it locks into place on both sides.

⚠ CAUTION !

When folding the backrest down, please make sure that your fingers do not get caught.

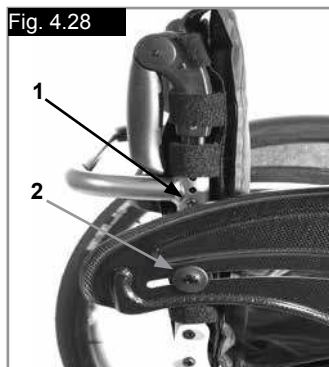


Adjustable Back Sling

The adjustable back sling can be adjusted for tension by using several straps. The back sling upholstery can be accessed from the inside via an opening and can be padded to suit individual tastes (Fig. 4.27).

Height-Adjustable Backrest

The backrest may be set to various back heights, in 2.5 cm steps. The adjustment ranges are 25- 30 cm, 30- 35 cm, 35- 40 cm and 40- 45 cm. Release the screws (1+2) and set the backrest to the desired height. Tighten up the screws again (see the page on torque). (Fig. 4.28).



Armrest Receiver Attachment

(Fig.4.29-4.32).

Adjusting Armrest Receiver Fit

To tighten or loosen the fit of the outer armrest in the receiver:

1. Loosen the four receiver adjustment bolts (9) on the sides of the receiver.
2. With the armrest in the receiver (7), squeeze the receiver to achieve the desired fit.
3. Tighten the four bolts (9). (144 in-lbs, 16.3 Nm)

Position Adjustment

1. Loosen the two clamp bolts (10) until clamp is loose.
2. Slide armrest receiver to desired position.
3. Tighten

Fig.4.29 - 4.30 Parts key

1. Outer armpost
2. Height Release Lever
3. Release lever
4. Armrest pad
5. Transfer bar
6. Side panel
7. Receiver
8. Clamp
9. Receiver adjustment bolts
10. Clamp bolts

Sideguard

Single Post Height-Adjustable Armrests

(Fig.4.29-4.32).

1. Installation

- a. Slide the outer armrest into the receiver mounted to the wheelchair frame.
- b. The armrest will automatically lock into place.

2. Height Adjustment

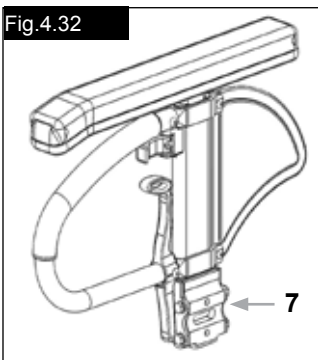
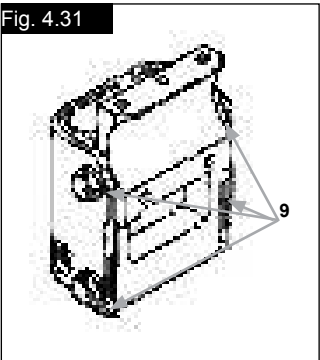
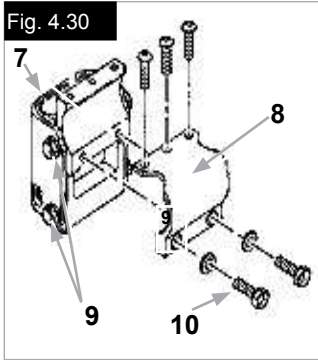
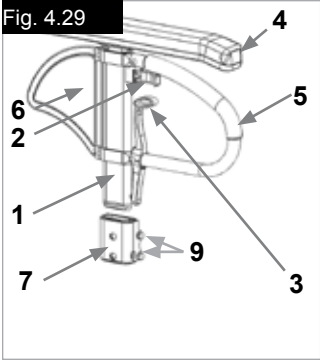
- a. Rotate height release lever (2) to second stop.
- b. Slide armrest pad up or down to desired height.
- c. Return lever to locked position against arm post.
- d. Push arm pad (4) until upper arm post locks firmly into place.

3. Removing Armrest

- a. Pull lever 3 and lift entire arm.

4. Replacing Armrest

- a. Slide armrest back into receiver until arm latches in place.



Tool Height Adjustable Armrest

Installation: Slide the arm post into the receiver, located on the wheelchair frame, until it stops

Height Adjustment:

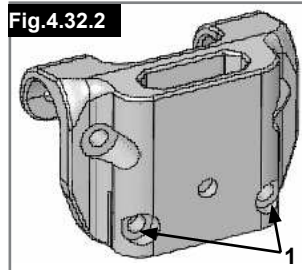
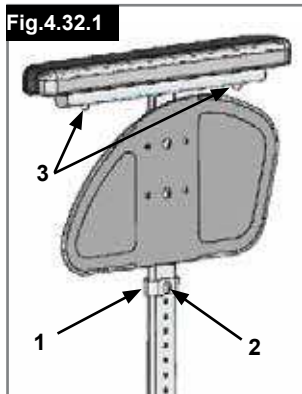
Slide the arm rest post out of the receiver.
Adjust the position of the height adjustment bracket (1) by removing the screw (2) and moving it to the desired position. Re-fit the screw and tighten it.
Slide the arm rest post back into the receiver, (Fig.4.32.1).

Armpad Position:

The armpad position can be adjusted by releasing the screws (3), then moving the arm pad to the desired position. Re-tighten the screws, (Fig.4.32.1).

Adjusting Armrest Receiver

The tightness of the armrest receiver can be adjusted (tightened /loosened) by means of the 2 screws (1) - (Fig.4.32.2).

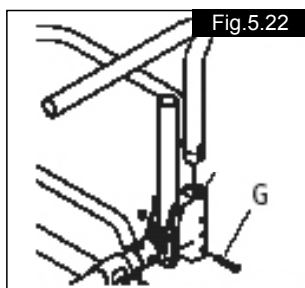


Tubular Armrest, Tool Height Adjustable, Swing Away, Removable, (Fig.5.22).

For easier transfer lift the armrest slightly and swing it away or detach it by pulling it up. The height can be adjusted by the position of the screw G.



WARNING!
Sideguards, and the armrests are not designed to be used to lift or carry the wheelchair.



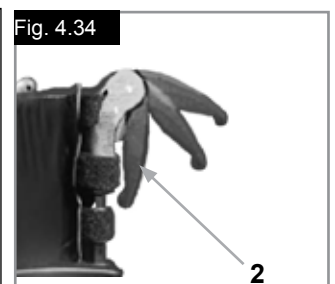
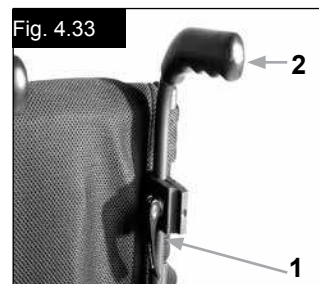
Height-Adjustable Push Handles

These handles are secured with pins to prevent them from sliding out unintentionally. Opening the quick-release lever (1) makes it possible to adjust the height of the push handles (2) to meet your individual needs. As you move the lever, you will hear a locking mechanism; you can now easily position the push handle as desired. The nut on the tension lever determines how tightly the push handles are clamped into place. If the nut is loose after adjusting the tension lever, the push handle will also be too loose. Turn the push handle from side to side before use to make sure that it is clamped securely enough into place. After adjusting the handle height, always clamp the tension lever (1) securely into place. If the lever is not secure, injuries could result when ascending stairs. (Fig. 4.33).

NOTE – If the height-adjustable push handles are not fitted properly, there is a risk that these will develop "play" or that they move out of position. Please make sure that the relevant screws are tightened correctly.

Fold-Down Push Handles

If the push handles are not in use, they can be folded down depressing the button (2). When they are needed again, simply flip them back up until they click into place. (Fig. 4.34).



Anti-Tip Tubes

WARNING !

Sunrise Medical recommends anti-tip tubes for all chairs. When fitting anti-tip tubes, use a torque of 7 Nm.

1. Slotting The Anti-Tip Tubes Into The Clamp:

- Press the rear button on the anti-tip tube on the anti-tip tube adapter, so that both release pins are drawn inwards.
- Slot the anti-tip tubes (1) into the anti-tip tube adapter.
- Turn the anti-tip tubes downwards until the release pin locks into the clamp.
- Fit the second anti-tip tube in the same way.

2. Adjusting The Anti-Tip Tubes

To achieve the correct ground clearance of approx. 1" to 2" (2.5 cm to 5.0 cm), the anti-tip tubes must be raised or lowered.

Press the anti-tip tube release button, so that both release pins are drawn inwards. Move the inner tube up or down to slot into the height holes provided. Release the button. Fit the second anti-tip wheel in the same way. Both wheels should be at the same height. (Fig. 4.35).

DANGER !

Sunrise Medical Recommends Use Of Anti-Tip Tubes: If the anti-tip tubes are not fitted, or have been fitted incorrectly, there is a risk of tipping over and of injury.

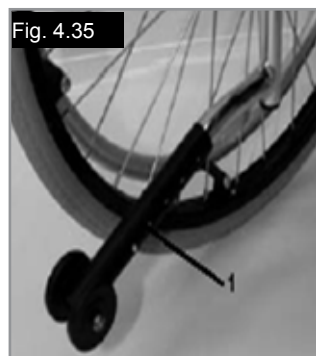


Fig. 4.35

Active Anti Tip/Flip Up

The active Anti tip is mounted on the left or right side of the axle tube. By pushing it towards the axle tube, it can be flipped downwards for operation, (Fig.4.36).

WARNING!

Make sure that the anti tip will lock in the final position. An unlocked active anti tip can lead to serious injury of the user.



Fig. 4.36

Active Anti Tip For Sport

To remove the active anti tip for sport, press the button of the quick release pin and pull it out. Now pull out the tube from the anti tip receiver, (4.37-4.38).



Fig. 4.37

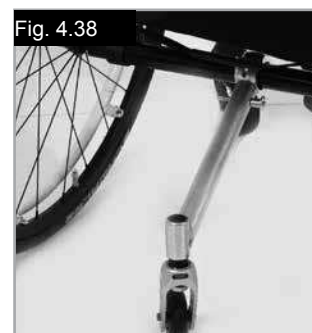


Fig. 4.38

Crutch holder

Crutch Holder (Fig.4.39)

This device permits crutches to be transported directly on the wheelchair. It has a Velcro loop to fasten crutches or other aids.

CAUTION!

Never try to use or even remove the crutches or other aids while moving.



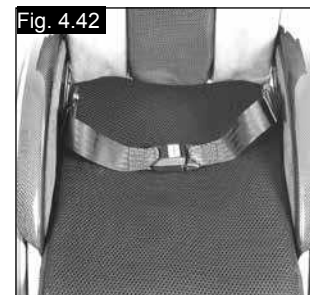
Anteria Lateral Support (Lap belt)

DANGER !

- Before using your wheelchair ensure the lap belt is worn.
- The lap belt must be checked on a daily basis to ensure it is free from any obstruction or adverse wear.
- Always make sure that the lap belt is correctly secured and adjusted prior to use. If the strap is too loose it could cause the user to slip down and risk suffocation or cause serious injury.

The lap belt is fitted to the wheelchair as shown in the illustrations. The seat belt comprises 2 halves. They are fitted using the existing seat stay retaining bolt fitted through the eyelet on the belt. The belt is routed under the rear of the side panel. (Fig. 4.41)

Adjust the belt position so buckles are in the centre of the seat. (Fig. 4.42)



Travel Wheels

Travel Wheels (Fig.4.40)

Travel wheels should be used wherever your wheelchair would be too wide if the rear wheels were used (e.g., in airplanes, buses, etc.). After the rear wheels have been removed with the aid of the quick-release axles, the transit wheels can immediately be used to continue riding. The transit wheels are mounted so that they are approx. 3 centimeters above the ground when not in use. They are thus out of the way when riding, transporting, or when tipping to pass over obstacles (e.g., kerbs, steps, etc.).



CAUTION:

Your wheelchair does not have any wheel locks when the transit wheels are being used.

NOTE: When the chair is to be set up with the transit wheels and the anti-tip tubes, the transit mounting must be installed between the camber tube clamp and the anti-tip tube clamp mounting (not shown).

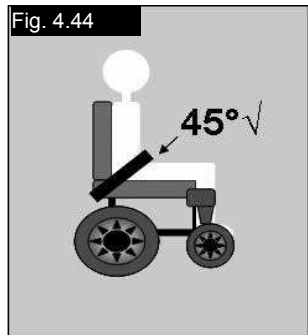
Adjust Lap Belt To Suit The User's Needs As Follows:

To reduce the belt length	To increase the belt length
<p>Feed free belt back through male buckle and slide adjusters. Ensure belt is not looped at male buckle.</p>	<p>Feed free belt through slide adjusters and male buckle to provide more belt length.</p>

When fastened check space between the lap belt and user. When correctly adjusted it should not be possible to insert more than the flat of the hand between the lap belt and the user. (Fig. 4.43 overleaf).

Anteria Lateral Support (Lap belt)

The lap belt should be fixed so that the belt sits at an angle of 45 degrees across the users pelvis. The user should be upright and be as far back as possible in the seat when correctly adjusted. The lap belt should not allow the user to slip down in the seat. (Fig. 4.44)




To fasten buckle:
Firmly push male buckle into female buckle.

To release belt:
Press exposed sides of male buckle and push towards centre whilst gently pulling apart.

⚠ WARNING !

- If in doubt about the use and operation of the lap belt then ask your healthcare professional, wheelchair dealer, carer or attendant for assistance.
- The lap belt must only be fitted by an approved Sunrise Medical dealer / agent.
- The lap belt should only be adjusted by a professional, or a Sunrise Medical approved dealer / agent.
- The lap belt must be checked on a daily basis to ensure it is adjusted correctly and free from any obstruction or adverse wear.
- Sunrise Medical does not encourage the transportation of any person in a vehicle using this lap belt as a method of restraint.

 Please see Sunrise Medical transit booklet for further advice on transportation.

Maintenance:

Check lap belt, and securing components, at regular intervals for any sign of frays or damage. Replace if necessary.

⚠ WARNING

The lap belt should be adjusted to suit the end user as detailed above. Sunrise Medical recommend that the length and fit of the belt be checked on a regular basis to reduce the risk of the end user inadvertently re-adjusting the belt to an excessive length.

5.0 Tyres and Mounting

Solid rubber tyres are standard. With pneumatic tyres always make sure that the tyres have the correct air pressure, as otherwise the performance of the wheelchair may be affected. If the tyre pressure is too low, rolling resistance will increase, requiring more effort to move the chair forward. Low tyre pressure also has a negative impact on manoeuvrability. If the tyre pressure is too high, the tyre could burst. The correct pressure for a given tyre is printed on the surface of the tyre itself.

Tyres are mounted the same way as an ordinary bicycle tyre. Before installing a new inner tube, you should always make sure that the base of the rim and the interior of the tyre are free of foreign objects. Check the pressure after mounting or repairing a tyre. It is critical to your safety and to the wheelchair's performance that regulation air pressure be maintained and that tyres be in good condition.

6.0 Maintenance and care

- Check the tyre pressure every 4 weeks. Check all tyres for wear and damage.
- Check the brakes approximately every 4 weeks to make sure that they are working properly and are easy to use.
- Change tyres as you would an ordinary bicycle tyre.
- All of the joints that are critical to using your wheelchair safely are self-locking nuts. Please check every three months to make sure that all bolts are secure (see the section on torque). Safety nuts should only be used once and should be replaced after use.
- Please use only mild household cleansers when your wheelchair is dirty. Use only soap and water when cleaning the seat upholstery.

Maintenance and care

- If your wheelchair should ever get wet, please dry it afterwards.
- A small amount of sewing-machine oil should be applied to quick-release axles approximately every 8 weeks. Depending on the frequency and type of use, we recommend taking your wheelchair to your authorised dealer every 6 months to have it inspected by trained personnel.

⚠ CAUTION !

Sand and sea water (or salt in the winter) can damage the bearings of the front and rear wheels. Clean the wheelchair thoroughly after exposure.

The following parts can be removed and sent back to the manufacturer/dealer for repair:

- Rear wheels
- Armrest
- Footrest holder
- Anti-Tip tubes

These components are available as spare parts. For further information, please see the spare parts catalogue.

Hygiene measures when being re-used:

Prior to the wheelchair being re-used, it must be carefully prepared. All surfaces which come into contact with the user must be treated with a disinfection spray.

To do this, you must use a disinfectant from the DGHM list, e.g. Antifect Liquid (Schülke & Mayr) for rapid alcohol-based disinfection for medical products and medical devices, which must be disinfected quickly. Please take into account the manufacturer's instructions for the disinfectant you are using.

In general, a complete disinfection cannot be guaranteed on seams. We therefore recommend that you dispose of seat and back slings to avoid microbacterial contamination with active agents according to § 6 infection protection law.

7.0 Disposal / Recycling of materials

If the wheelchair has been made available to you free of charge, then it does not belong to you. If it is no longer required, then follow the instructions to return it as given by the organisation that made the wheelchair available to you.

In the following section, there is a description of the materials used on the wheelchair, in view of the disposal or recycling of the wheelchair and its packaging.

Particular regulations with regard to disposal or recycling may be in force locally and these must be taken into account when performing disposal. (This can include the cleaning or decontamination of the wheelchair prior to disposal).

Aluminium: Castor forks, wheels, sideguards for the chassis, armrest frame, footrest, push handles

Steel: Fixing points, quick-release axle

Plastic: Handles, tube stoppers, castors, footplates, armpads and 12" wheel/tyre

Packaging: Plastic bags made of soft polyethylene, cardboard

Upholstery: Woven polyester with PVC coatings and expanded combustion modified foam.

Disposal or recycling should be carried out by a disposal company or at a public disposal point. You can also return your wheelchair to your dealer for disposal.



8.0 Trouble-shooting

Wheelchair pulls to one side

- Check tyre pressure
- Check to make sure wheel turns easily (bearings, axle)
- Check the castor angle
- Check to make sure both castors are making proper contact with the ground

Castors begin to wobble

- Check the castor angle
- Check to make sure all bolts are secure; tighten if necessary (see the section on torque)
- Check to make sure both castors are making proper contact with the ground

Wheelchair squeaks and rattles

- Check to make sure all bolts are secure; tighten if necessary (see the section on torque)
- Apply small amount of lubrication to spots where movable parts come into contact with one another

Wheelchair begins to wobble

- Check angle at which castors are set
- Check tyre pressure
- Check to see if rear wheels are adjusted differently

9.0 Transportability

⚠ DANGER !

There is a risk of serious injury or death if this advice is ignored!

Transportation Of Your Wheelchair Within A Vehicle.

A wheelchair secured in a vehicle will not provide the equivalent level of safety and security as a vehicle seating system. It is always recommended that the user transfers to the vehicle seating. It is recognised that this is not always practical for the user to be transferred and in these circumstances, where the user must be transported whilst in the wheelchair, the following advice must be followed:

⚠ DANGER !

- Confirm that your chair is crashtest suitable (see nameplate or crashtest bracket at the rear of the chair (Fig.1))
- Confirm that the vehicle is suitably equipped to transport a passenger in a wheelchair, and ensure the method of access/egress is suitable for your wheelchair type. The vehicle should have the floor strength to take the combined weight of the user, the wheel chair and accessories.
- Sufficient space should be available around the wheelchair to enable clear access to attach, tighten and release the wheelchair and occupant tie down restraints and safety belts.
- The occupied wheelchair must be located in a forward facing position and secured by the wheelchair tie down and occupant restraint straps (WTORS tie downs meeting the requirements of ISO 10542 or SAE J2249) in accordance with the WTORS manufacturer's instructions.
- The wheelchair's use in other positions within a vehicle has not been tested e.g. transportation in a side facing position must not be carried out under any circumstances (Fig. A).
- The wheelchair should be secured by a Tie Down Restraint system, conforming to ISO 10542 or SAE J2249 with non-adjustable front straps and adjustable rear straps, which typically use Karabiner clips/S hooks and tongue and buckle fittings. These restraints generally comprise of 4 individual straps that are attached to each corner of the wheelchair.
- The tie-down restraints should be fitted to the main frame of the wheelchair as indicated in the diagram on the following page, and not to any attachments or accessories, e.g. not around the spokes of wheels, brakes or footrests.
- The tie-down restraints should be attached as close as possible at an angle of 45 degrees and tightened securely in accordance with the manufacturer's instructions.
- Alterations or substitutions must not be made to the wheelchair securement points or to structural and frame or components without consulting the manufacturer. Failure to do so will invalidate the ability of a Sunrise Medical wheelchair to be transported within a vehicle.
- Both pelvic and upper torso restraint belts must be used to restrain the occupant to reduce the possibility of head and chest impacts with the vehicle components and serious risk of injury to the user and other vehicle occupants. (Fig B) The upper torso restraint belt should be mounted to the vehicle "B" pillar - failure to do so will increase the risk of serious abdominal injuries to the user.
- A head restraint suitable for transportation (see label on headrest) must be fitted and suitably positioned at all times during transportation.
- Postural supports (lap straps, lap belts) should not be used or relied on for occupant restraint in a moving vehicle unless they are labelled as meeting the requirements specified in ISO 7176-19:2001 or SAE J2249.
- The safety of the user during transportation depends upon the diligence of the person securing the tie-down restraints and they should have received appropriate instructions and/or training in their use.
- Wherever possible remove and stow safely away from the wheelchair all auxiliary equipment, for example:
 - Crutches, Loose cushions and Tray Tables.
 - Articulating/elevating leg rest should not be used in the elevated position when the wheelchair and user are being transported and the wheelchair is restrained using Wheelchair Transport and Occupant Restraints.
 - Reclining backrests should be returned to an upright position.
 - The manual brakes must be firmly applied.
- Restraints should be mounted to the vehicle "B" pillar and should not be held away from the body by wheelchair components such as armrest or wheels.

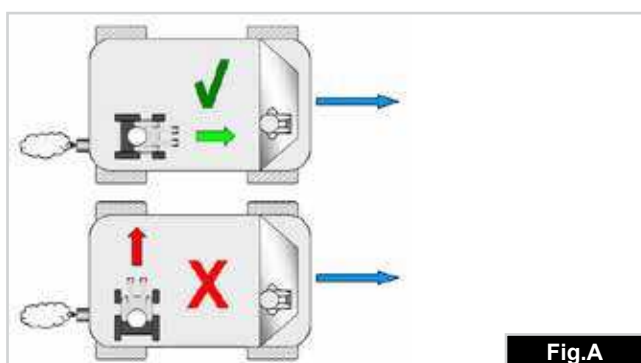


Fig.A



Fig.B

Transportability

Minimum User Weight

When the user being transported is a child, less than 22Kg mass and the vehicle involved has less than eight (8) seated passengers it is recommended that they be transferred to an UNCE Regulation 44 compliant child restraint system (CRS). This type of restraint system provides a more effective occupant restraint system than the conventional 3 point occupant restraint system and some CRS systems also include additional postural supports to assist in maintaining the position of the child when seated.

Parents or care providers may consider the option, in some circumstances, for their child is to remain in their wheelchair whilst in transport due to the level of posture control and comfort provided by the set up in the wheelchair.

We would recommend in such circumstances that a risk assessment be carried out by your healthcare professional and relevant competent persons.

Occupant Restraints Instruction:

1. The pelvic restraint belt must be worn low across the front of the pelvis so that the angle of the pelvic belt is within the preferred zone of 30 to 75 degrees to the horizontal.

A steeper (greater) angle within the preferred zone is desirable i.e. closer to, but never exceeding 75degrees. (Fig C)

2. The upper torso restraint belt must fit over the shoulder and across the chest as illustrated Fig d and e Restraint belts must be adjusted as tightly as possible consistent with user comfort.

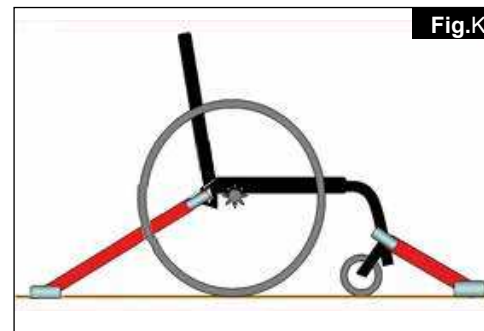
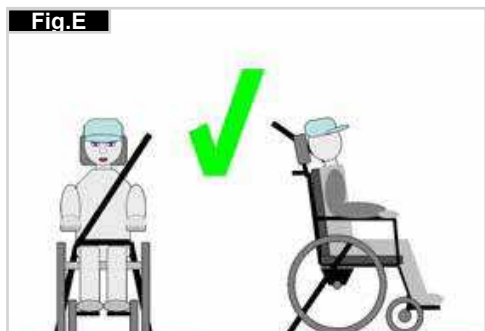
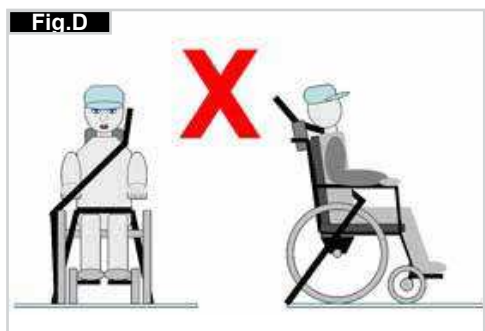
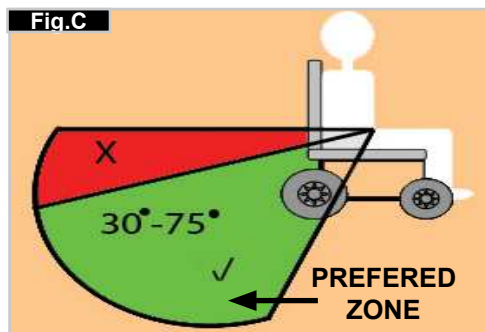
Restraint belt webbing must not be twisted when in use. The upper torso restraint belt must fit over the shoulder and across the shoulder as illustrated in Fig D and E.

3. The attachment points to the chair are the inner front side frame just above the castor, and the rear side frame. The straps are fitted around the side frames at the intersection of the horizontal and vertical frame tubes. (See Figs G-H-I)

4. The tie down symbol (Fig F) on the wheelchair frame indicates the position of the wheelchair restraint straps. The straps are then tensioned after the front straps have been fitted to secure the wheelchair.

Positioning Of Wheelchair Tie Down Restraints On Wheelchair.

1. Location of the front and rear tie down labels (Fig.G - H).
2. Position of the front, (Fig.I) and rear, (Fig.J), wheelchair tie down restraint and the tie down label.
3. Side view of tie down straps, (Fig.K).




10.0 Nameplate

Nameplate

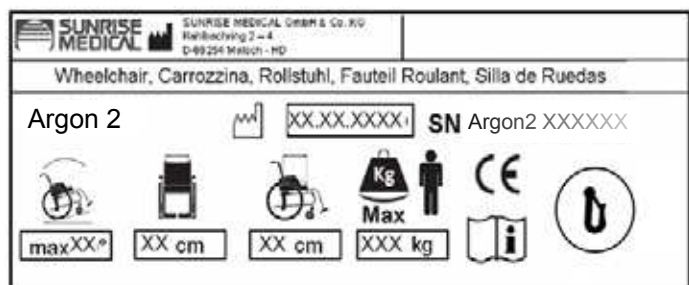
The nameplate is located on either the cross-tube assembly or the transverse frame tube, as well as on a label in the owner's manual. The nameplate indicates the exact model designation and other technical specifications. Please provide the following pieces of information whenever you have to order replacement parts or to file a claim:

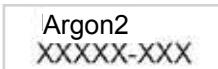





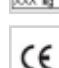
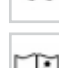


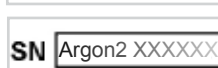
Due to our policy of continuous improvement in the design of our wheelchairs, product specifications may vary slightly from the examples illustrated. All weight/ dimensions and performance data are approximate and provided solely for guidance.

Sunrise Medical complies with the EU Medical Devices Directive 93/42/EEC

 All wheelchairs must be used in accordance with the manufacturer's guidelines.

Sunrise Medical GmbH & Co.KG
 Kahlbachring 2-4
 69254 Malsch/Heidelberg
 Germany
 Tel.: +49 (0) 7253/980-400
 Fax: +49 (0) 7253/980-111
 www.sunrisemedical.com



- 
Argon2
XXXXX-XXX Product Name/SKU Number.
- 
maxXX° Maximum safe slope with anti-tips fitted, Depends on wheelchair setting, posture and physical capabilities of the user.
- 
Manufacturer Symbol
- 
XX cm Seat Width.
- 
XX cm Depth Maximum.
- 
Max
XXX kg Load Maximum.
- 
CE CE Mark.
- 
User's Guide
- 
Crash Tested
- 
XX.XX.XXXXI Date of Manufacture.
- 
SN Argon2 XXXXXX Serial Number.

11.0 Guarantee

Guarantee

THIS DOES NOT AFFECT YOUR LEGAL RIGHTS IN ANY WAY.

Guarantee Conditions

- 1) Repair or replacement is carried out by the authorised Sunrise Medical dealer.
- 2) To fulfil the guarantee conditions, should servicing need to be carried out on your wheelchair under this agreement, contact the designated Sunrise Medical authorised dealer immediately, with precise details on the type of difficulty. Should you be using the wheelchair outside the area covered by the designated Sunrise Medical authorised dealer, the work will be carried out under "guarantee conditions" by another dealer as designated by the manufacturer.
- 3) Should a part or parts of the wheelchair require repair or replacement within 24 months (5 years for frame and cross-brace) after transfer of ownership to the original purchaser, and provided that this person is still the owner of the wheelchair as a result of a specific manufacturing or material defect, the part or parts will be repaired or replaced free of charge, if the wheelchair is returned to the authorised Sunrise Medical dealer.

NOTE: This guarantee cannot be transferred.

- 4) The guarantee also covers all repaired or replaced parts for the remaining period of the guarantee for the wheelchair.
- 5) For spare parts which are fitted after the start of the original guarantee, we give a further 24-month guarantee.
- 6) Consumable parts are normally excluded from the guarantee, except in the case that premature wear of the part is the direct result of a manufacturing fault. These parts include, amongst others, upholstery, tyres, inner tubes and similar parts.
- 7) The guarantee conditions above cover all product parts for models which were purchased at full sales price.
- 8) Normally we do not accept responsibility if a repair or replacement of the wheelchair is required for one of the following reasons:
 - a) The product or part has not been maintained or serviced in accordance with the manufacturer's recommendations as shown in the User Instructions and/or the Service Instructions. Accessories have been used which are not specified as original accessories.
 - b) The wheelchair or a part of the wheelchair was damaged through neglect, accident or improper use.
 - c) Alterations to the wheelchair or parts, which are not in accordance with the manufacturer's specifications or the carrying out of repairs before informing the authorised dealer.

12.0 Technical Data

Overall Width:	With standard 25" wheels, including handrims with 3° camber: SW + 26 cm
Maximum Transported Weight:	Less Than 10.0kg
Overall Length:	91 cm with SD 48 cm
Overall Height:	112 cm with BH 45 cm
Weight In Kg:	from 9.0 kg
Maximum Load:	Argon2 = 140 kg = 125 kg with lightweight wheel. = 100 kg with Proton wheel. = 100 kg with Handbike axle.

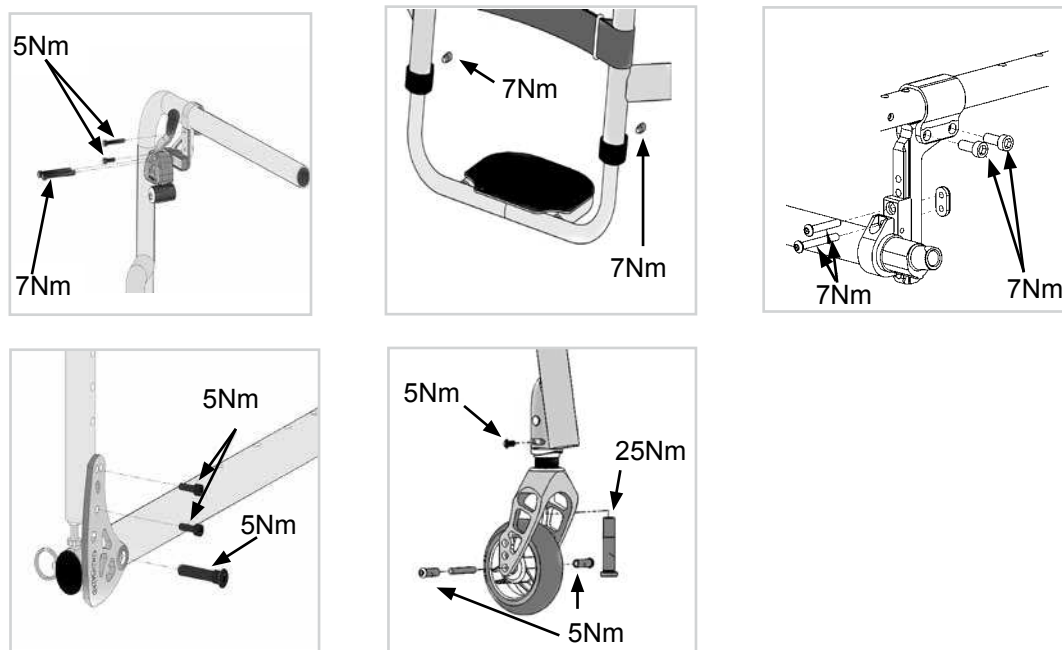
Seat heights:

The choice of frames, forks and castors, as well as the rear wheel size (24", 25") determines the seat heights which can be achieved.

The Wheelchair Conforms To The Following Standards:

a) Requirements and tests for static strength, impact resistance and fatigue strength (ISO 7176-8)	Yes •
b) Drive and control systems for power wheelchairs, requirements and test (ISO 7176-14)	n.a. •
c) Environmental test in accordance with ISO 7176-9	n.a. •
d) Flammability resistance of upholstered parts in accordance with ISO 7176-16 (EN 1021-1/2)	Yes •

13.0 Torque



Torque.

NOTE: Wherever torque settings are specified, it is strongly recommended that a torque meter (not included), is used to verify correct torque specification is achieved.

If no other information is given, the generic torque for M6 screws is 7 Nm.

Sommaire

Définitions	29
Avant-propos	30
Utilisation	30
Champ d'application	30
1.0 Consignes générales de sécurité et limites de conduite	31
2.0 Manipulation	33
3.0 Transport du fauteuil	33
4.0 Options	33
Leviers de basculement	33
Freins d'immobilisation	34
Réglage du support d'axe pour handbike	35
Réglage du repose-pied	36
Palette	36
Siège	37
Hauteur du siège	37
Roues avant	37
Alignement des roues	38
Dossier	38
Protège-vêtement	39
Poignées de poussée	40
Roulettes anti-basculer	41
Porte-canne	42
Roulettes de transit	42
Support antéro-latéral (Ceinture sous-abdominale)	42
5.0 Pneus et montage des pneus	43
6.0 Maintenance et entretien	43
7.0 Mise au rebut / Recyclage des matériaux	44
8.0 Dépannage	44
9.0 Transportabilité	45
10.0 Plaque signalétique	47
11.0 Garantie	48
12.0 Caractéristiques techniques	49
13.0 Couple réel	49





REMARQUE :

Il est possible que les fauteuils illustrés et décrits dans le présent manuel ne soient pas complètement identiques au modèle que vous avez acheté. Toutefois, toutes les instructions fournies dans le présent manuel sont valables pour votre matériel, malgré d'éventuelles différences minimales.

Le fabricant se réserve le droit de modifier sans préavis les poids, mesures et autres données techniques indiquées dans le présent manuel. Tous les chiffres, dimensions et capacités indiqués dans ce manuel sont approximatifs et ne constituent pas des caractéristiques.

Définitions

3.1 Définitions des termes employés dans le manuel

Terme	Définition
 DANGER !	Indication d'un risque potentiel de blessures sérieuses ou de mort en cas de non-respect des consignes
 AVERTISSEMENT!	Indication d'un risque potentiel de blessure en cas de non-respect des consignes
 ATTENTION !	Indication que le matériel peut être endommagé si le conseil fourni n'est pas suivi
REMARQUE :	Conseil d'ordre général ou pratique recommandée
	Référence faite à d'autres manuels

REMARQUE :

Il vous est conseillé de noter dans l'encadré prévu ci-dessous les coordonnées du technicien chargé de votre service après-vente.

En cas de panne, contactez-le en lui donnant autant d'informations que possible sur la nature de la panne de sorte qu'il puisse vous aider efficacement et rapidement.

Tampon et signature du revendeur

Avant-propos

Chère cliente, cher client,

Vous avez choisi un produit de SUNRISE MEDICAL de grande qualité. Nous nous en réjouissons.

Ce manuel d'utilisation vous fournira de nombreux conseils et suggestions de sorte que votre produit deviendra pour vous un partenaire familier digne de confiance.

Pour Sunrise Medical, être proche de nos clients est une priorité. C'est pourquoi, nous tenons à vous tenir informé de toutes nos nouveautés, actuelles et à venir. Être proche de nos clients signifie, assurer un service rapide, avec le moins de formalités administratives possible et entretenir une bonne relation avec eux. Que vous souhaitiez commander des pièces de rechange ou des accessoires, ou encore poser des questions concernant votre fauteuil, nous sommes à votre service.

Notre objectif est que vous soyez satisfait de nos services. Chez Sunrise Medical, nous travaillons en permanence au développement de nos produits. Ainsi, des modifications quant à la forme, à la technique et à l'équipement peuvent être apportées à notre gamme de produits. Aucune réclamation ne pourra donc être adressée au sujet des informations et illustrations de ce manuel d'utilisation.

Le système de gestion de SUNRISE MEDICAL est certifié EN ISO 9001, ISO 13485 et ISO 14001.



En sa qualité de fabricant, SUNRISE MEDICAL, déclare que les fauteuils sont conformes à la directive 93/42/CEE telle que modifiée par 2007/47/CEE.

Adressez-vous à notre service après-vente SUNRISE MEDICAL, compétent et agréé, pour toute question concernant l'utilisation, la maintenance ou la sécurité de votre fauteuil roulant.

S'il n'y a aucun revendeur près de chez vous ou si vous avez des questions, contactez-nous par courrier ou par téléphone à l'adresse suivante.



IMPORTANT :
N'UTILISEZ PAS VOTRE FAUTEUIL AVANT D'AVOIR LU ET COMPRIS CE MANUEL.

Sunrise Medical S.A.S
ZAC de la Vrillonnerie
17 Rue Mickaël Faraday
37170 Chambray-Lès-Tours
Tel : + 33 (0) 247554400
Fax : +30 (0) 247554403
www.sunrisemedical.fr

Utilisation

Les fauteuils roulants sont exclusivement destinés aux utilisateurs dans l'incapacité de marcher ou à mobilité restreinte et pour leur propre usage à l'intérieur et à l'extérieur.

La charge maximale (à savoir le poids de l'utilisateur et des accessoires éventuellement embarqués) est indiquée sur la plaque signalétique apposée sur le tube d'axe, sous le siège.

La garantie n'est valable que si le produit est utilisé dans les conditions spécifiées et pour l'usage pour lequel il est prévu.

La durée de vie prévue pour ce fauteuil est de cinq années.

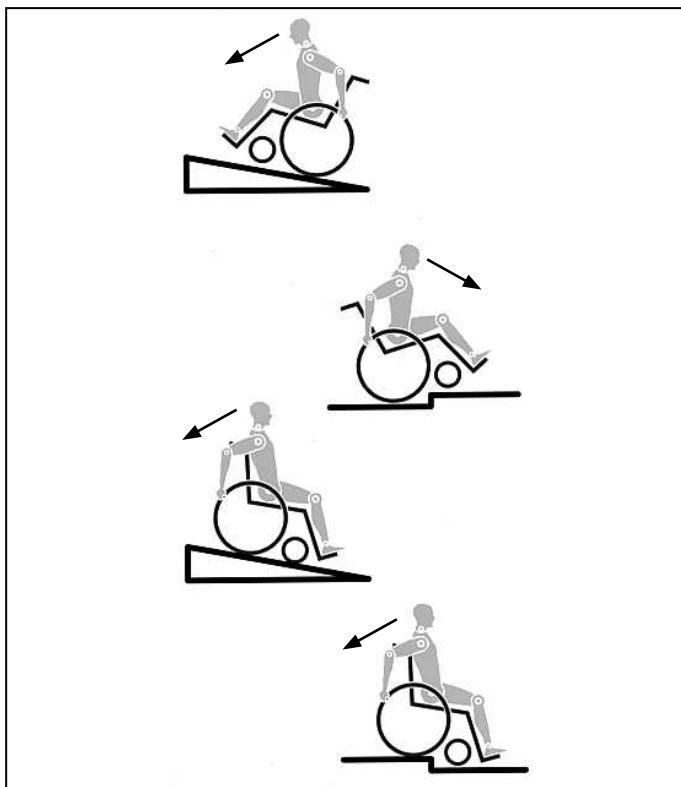
N'utilisez ET n'installez aucun composant tiers sur le fauteuil, à moins qu'ils n'aient été formellement approuvés par Sunrise Medical.

Champ d'application

De par la diversité des options de montage et sa conception modulaire, ce fauteuil convient pour les personnes dans l'incapacité de marcher ou à mobilité restreinte, suite à :

- Une paralysie
- La perte d'un membre (amputation de la jambe)
- Un problème/la difformité d'un membre
- Des contractures/blessures aux articulations
- Des maladies, telles qu'une insuffisance cardiaque et circulatoire, trouble de l'équilibre ou cachexie, et pour les personnes âgées ayant assez de force dans le haut du corps.

Sélectionner le bon fauteuil nécessite de prendre en compte des éléments tels que la taille de l'utilisateur, son poids, sa constitution physique et psychologique, son âge, son mode de vie et son environnement.



La conception et la construction du fauteuil sont réalisées pour garantir une sécurité maximale. A l'échelle internationale, toutes les exigences applicables en matière de normes de sécurité sont respectées, voire dépassées. Toutefois, l'utilisateur peut se mettre en situation de danger en utilisant son fauteuil de façon incorrecte. Pour votre sécurité, vous devrez impérativement respecter les consignes suivantes. Les altérations ou réglages non professionnels ou erronés augmentent le risque d'accidents. En tant qu'utilisateur de fauteuil roulant, vous participez à la circulation publique, sur routes ou trottoirs. Vous êtes par conséquent tenu de respecter le code de la route. Lors de votre première utilisation du fauteuil, roulez prudemment. Familiarisez-vous avec l'utilisation de votre nouveau fauteuil roulant. Avant chaque utilisation de votre fauteuil, contrôlez impérativement :

- Les axes à déverrouillage rapide des roues arrière
- Les bandes velcro de l'assise et du dossier
- Les pneus, la pression et les freins.

Avant de modifier un quelconque réglage, il est important de lire le paragraphe correspondant de présent manuel d'utilisation.

Des nids de poule ou un sol irrégulier peut faire basculer le fauteuil roulant lors de la montée ou de la descente des pentes. Si une marche ou une montée est abordée de face, le corps doit être incliné en avant.

⚠ DANGER !

- Ne dépassez JAMAIS la charge maximale de 140 kg (100 kg avec le support d'axe pour handbike) combinée entre l'utilisateur et tout autre accessoire éventuellement embarqué. Toute charge supérieure pourrait endommager le fauteuil ou vous faire basculer, perdre le contrôle et entraîner de graves blessures pour vous et toute autre personne.

- Dans la pénombre, portez des vêtements clairs ou réfléchissants de sorte à être vu par les autres usagers de la route. Veillez à ce que les réflecteurs latéraux et arrière du fauteuil restent bien visibles. Il est également recommandé d'installer une lumière.
- Pour éviter les chutes et situations dangereuses, il est recommandé de vous entraîner et de vous familiariser avec votre nouveau fauteuil sur une surface plane offrant une bonne visibilité.
- Pour monter et descendre du fauteuil, ne prenez pas appui sur les palettes. Il convient au contraire de les rabattre et de les pivoter vers l'extérieur le plus possible. Placez-vous toujours le plus près possible de l'endroit où vous voulez vous asseoir.
- Utilisez toujours votre fauteuil de manière adéquate. Evitez par exemple de franchir des obstacles sans avoir préalablement ralenti (marche, bord de trottoir).
- Les freins d'immobilisation ne servent pas à ralentir le fauteuil. Ils empêchent votre fauteuil d'avancer involontairement. Quand vous vous tenez sur un terrain accidenté, utilisez impérativement vos freins d'immobilisation. Pensez toujours à actionner les deux freins simultanément, autrement votre fauteuil pourrait basculer.
- Changer le centre de gravité peut avoir un impact sur le comportement du fauteuil dont vous devez être conscient. Il est recommandé de vous entraîner, par exemple en pente ou lors du franchissement d'obstacles. Familiarisez-vous avec les différents comportements en présence d'un accompagnateur.
- Avec des réglages extrêmes (comme les roues arrière en position la plus avancée possible) et une posture inadéquate, le fauteuil risque de basculer, même sur une surface plane.
- Lorsque vous franchissez des côtes et des marches, penchez votre corps plus en avant.
- Lorsque vous descendez des côtes et des marches, penchez votre corps plus en arrière. Ne tentez jamais de monter ou de descendre une pente en diagonal.
- Evitez d'utiliser les escalators. En cas de chute, vous pourriez vous blesser gravement.
- N'utilisez pas le fauteuil sur des pentes de plus de 10° d'inclinaison. Le degré d'inclinaison maximum des pentes dépend de la configuration du fauteuil, des capacités de l'utilisateur et du style de conduite. Les capacités de l'utilisateur et son style de conduite ne pouvant être prédéfinis, le degré d'inclinaison maximum des pentes ne peut être déterminé. Il revient donc à l'utilisateur, assisté de son accompagnateur, de déterminer l'inclinaison maximale afin d'éviter tout risque de basculement. Il est vivement recommandé d'installer des roulettes anti-basculer pour les utilisateurs inexpérimentés.
- Des nids de poule ou un sol irrégulier peuvent faire basculer le fauteuil roulant lors de la montée ou de la descente des pentes.
- N'utilisez pas le fauteuil sur des terrains boueux ou verglacés. N'utilisez pas le fauteuil dans des zones interdites aux piétons.
- Pour éviter de vous blesser aux mains, ne placez pas vos doigts entre les rayons ou entre la roue arrière et le frein de la roue lorsque le fauteuil est en déplacement.
- Si vous utilisez une main courante métallique et freinez dans une longue pente ou pour réduire votre allure, le frottement peut chauffer la main courante et vous brûler les doigts.

- Ne montez et descendez les escaliers que si vous êtes accompagné. Des équipements à cet effet sont à votre disposition, comme les rampes d'accès et les ascenseurs. Utilisez-les. En l'absence de tels équipements, deux personnes sont nécessaires pour faire basculer le fauteuil et lui faire franchir les marches une à une en le poussant, et non pas en le soulevant. Il est déconseillé de procéder à de telles manœuvres dans les escaliers avec des utilisateurs de plus de 100 kg.
- En général, en présence de roulettes anti-basculer, il convient de les régler de sorte qu'elles ne puissent heurter les marches, car cela pourrait entraîner une grave chute. Remplacez ensuite les roulettes anti-basculer à leur position normale.
- L'accompagnateur doit toujours tenir le fauteuil par les parties fixes et non pas par les parties amovibles, comme le repose-pied ou la protection latérale.
- Lors de l'utilisation d'une rampe d'accès, pensez à positionner les roulettes anti-basculer (le cas échéant) en dehors de la zone à risque.
- Immobilisez toujours votre fauteuil à l'aide des freins lorsqu'il se trouve sur les surfaces accidentées ou lorsque vous montez dessus ou en descendez.
- Dans la mesure du possible, au cours d'un déplacement à bord d'un véhicule pour personnes handicapées, il est conseillé aux occupants de s'asseoir sur les sièges et d'utiliser le système de retenue approprié. C'est le seul moyen d'assurer une protection optimale aux occupants en cas d'accident. Si vous utilisez des éléments de sécurité proposés par SUNRISE MEDICAL et un système de sécurité spécifique, les fauteuils légers peuvent servir de siège pour le déplacement à bord d'un véhicule spécialement adapté. (Voir le chapitre sur "Transport").
- Selon le diamètre et le réglage des roues avant, ainsi que le centre de gravité du fauteuil, les roues avant peuvent se mettre à vibrer à mesure que la vitesse du fauteuil augmente. Les roues avant risquent alors de se bloquer et le fauteuil de basculer. Il est donc essentiel de régler correctement les roues avant (voir le chapitre "Roues avant"). Ne descendez pas une pente sans frein et déplacez-vous lentement. Il est recommandé aux utilisateurs inexpérimentés d'utiliser des roulettes anti-basculer.
- Les roulettes anti-basculer empêchent le fauteuil de basculer accidentellement vers l'arrière. En aucun cas, elles ne doivent remplacer les roulettes de transit et servir au transport d'une personne dans un fauteuil dont les roues arrière auraient été retirées.
- Si vous souhaitez atteindre un objet (placé devant, derrière ou latéralement par rapport au fauteuil), évitez de trop vous pencher afin de ne pas modifier le centre de gravité et risquer de faire basculer le fauteuil. La présence d'une charge supplémentaire (sac à dos ou objets similaires) sur les montants arrière du dossier peut avoir un impact sur la stabilité de votre fauteuil (surtout si le dossier est incliné en arrière) et peut faire basculer le fauteuil en arrière et entraîner des blessures.
- Pour les personnes amputées d'un ou des membres inférieurs, il est impératif d'utiliser les roulettes anti-basculer.
- Avant d'utiliser votre fauteuil, vérifiez la pression des pneus. Pour les roues arrière, la pression doit être au moins de 3,5 bars (350 kPa). La pression maximale est indiquée sur la jante des pneus. Le frein à manette à hauteur du genou ne fonctionne que si la pression des pneus est suffisante et si le réglage est correct (voir le chapitre sur les "Freins").
- Si les toiles du dossier et du siège sont abîmées, remplacez-les immédiatement.
- Soyez très vigilants avec les risques d'incendie, surtout avec les cigarettes allumées. Les toiles du dossier et du siège peuvent prendre feu.
- Si le fauteuil est exposé au soleil pendant une période prolongée, certaines parties du fauteuil (par ex. le châssis, les repose-jambes, les freins et le protège-vêtement) peuvent chauffer (>41°C).
- Vérifiez que les axes à déverrouillage rapide des roues arrière sont bien réglés et verrouillés. Si le bouton de l'axe à déverrouillage rapide n'est pas enfoncé, vous ne pouvez pas enlever la roue arrière.

AVERTISSEMENT !

- L'efficacité du frein à manette au genou et des caractéristiques de conduite générales dépend de la pression des pneus. Le fauteuil sera considérablement plus léger et plus facile à manœuvrer si les pneus des roues arrière sont correctement gonflés et ont la même pression.
- Vérifiez la sculpture des pneus. N'oubliez pas que lorsque vous vous déplacez au milieu de la circulation, vous devez respecter toutes les réglementations relatives au code de la route.
- Faites attention de ne pas vous pincer les doigts lorsque vous procédez à des réglages du fauteuil.
- Seules les personnes compétentes sont habilitées à procéder aux différents réglages du fauteuil roulant.

AVERTISSEMENT !

RISQUE D'ÉTOUFFEMENT – Ce fauteuil est composé de petites pièces qui, dans certaines conditions, peuvent présenter un risque d'étouffement pour les jeunes enfants.

Il est possible que les produits illustrés et décrits dans le présent manuel ne soient pas complètement identiques au modèle que vous avez acheté. Toutefois, toutes les instructions fournies dans le présent manuel sont valables pour votre matériel, malgré les éventuelles différences minimales.

Le fabricant se réserve le droit de modifier sans préavis les poids, mesures et autres données techniques indiquées dans le présent manuel. Tous les chiffres, dimensions et capacités indiqués dans ce manuel sont approximatifs et ne constituent pas des caractéristiques.

Nous, la société SUNRISE, sommes certifiés ISO 9001, ce qui garantit la qualité de nos produits à tous les stades, du développement jusqu'à la production. Ce produit est conforme aux exigences des directives CE. Options ou accessoires représentés disponibles avec un supplément de prix.

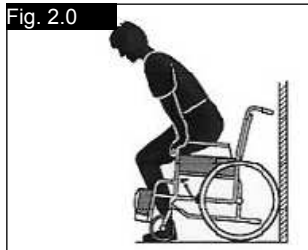
2.0 Manipulation

Vous asseoir dans votre fauteuil par vous-même

- Poussez le fauteuil roulant contre un mur ou contre un meuble solide ;
- Serrez les freins ;
- L'utilisateur peut s'installer dans le fauteuil ;
- Puis positionnez les pieds devant les sangles talonnières.
(Fig. 2.0).

Sortir de votre fauteuil par vous-même

- Serrez les freins ;
- La personne doit se pencher légèrement vers l'avant en se tenant d'une main sur la roue ou le garde-boue afin de transférer le poids de son corps vers l'avant du siège, puis levez-vous en poussant avec les deux pieds par terre, un pied derrière l'autre (Fig. 2.1).

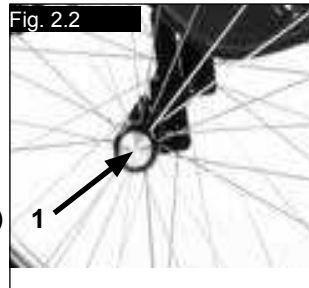


Axes à déverrouillage rapide de la roue arrière

Les roues arrière doivent être munies d'axe à déverrouillage rapide.

Les roues peuvent être démontées ou montées sans outils.

Pour démonter les roues, pressez sur le bouton d'arrêt (1) et retirez la roue arrière (Fig. 2.2).



⚠ ATTENTION !

Lors du montage, appuyez sur le bouton de l'axe à déverrouillage rapide et insérez l'axe dans le canon, tout en conservant le bouton pressé. Relâchez le bouton et la roue est bloquée. Le bouton d'arrêt doit revenir dans sa position de départ.

3.0 Transport du fauteuil

Transport du fauteuil

Les roues arrière sont démontables pour obtenir un fauteuil aussi compact que possible. Le dossier se rabat en tirant sur la corde (1) (voir image 3) située sur le dossier (Fig. 3.0 - 3.1).



⚠ ATTENTION !

Lorsque vous rabattez le dossier vers l'avant, veillez à ne pas vous pincer les doigts.

4.0 Options

Leviers de basculement

Leviers de basculement

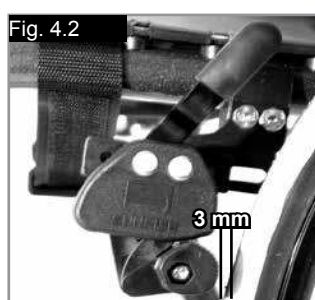
Le levier de basculement permet à l'accompagnateur(-trice) de faire basculer le fauteuil pour franchir un obstacle. Placez votre pied sur le tube d'appui pour faire franchir au fauteuil un trottoir ou une marche, par exemple, (Fig. 4.0).

⚠ AVERTISSEMENT !

Sunrise Medical recommande vivement l'installation d'un levier arrière de basculement sur les fauteuils où l'accompagnateur sera l'utilisateur principal. En l'absence de levier arrière de basculement, l'utilisation répétée du dossier et la force exercée dessus pour incliner le fauteuil aura pour effet d'endommager les montants du dossier.



Freins d'immobilisation



⚠ ATTENTION !

L'efficacité de freinage peut être réduite par :

- un mauvais montage des freins ;
- un mauvais réglage des feins ;
- une pression des pneus inadaptée ;
- des sculptures de pneu usées ;
- des pneus humides.

Freins

Le fauteuil est équipé de deux freins d'immobilisation. Les freins agissent directement sur les pneus. Pour immobiliser votre fauteuil, serrez les deux leviers de freinage jusqu'à la butée avant. Tirez le levier de freinage en arrière pour le relâcher.

Les freins d'immobilisation ne sont pas destinés à être utilisés comme des freins de service. N'actionnez pas les freins en marche. Freinez toujours à l'aide des mains courantes. Veillez à ce que l'écartement entre le frein et le pneu soit conforme à la valeur indiquée. Pour régler, dévissez la vis et réglez le bon intervalle. Resserrez de nouveau la vis (Fig. 4.1 et 4.2).

⚠ ATTENTION !

Après avoir procédé au réglage des roues arrière, vérifiez toujours l'intervalle avec les freins d'immobilisation. Réajustez si nécessaire.

Rallonge du levier de frein

La rallonge vous permet de déployer moins d'efforts pour actionner les freins.

La rallonge est directement vissée aux freins. En le levant, le levier pourra être rabattu vers l'avant (Fig. 4.3).

⚠ ATTENTION !

Plus les freins seront montés près de la roue, plus l'effort à fournir pour les actionner sera grand. Cela pourrait casser la rallonge du levier de frein !

Veillez à ne pas prendre appui sur la rallonge du levier lorsque vous montez ou descendez du fauteuil, car vous risqueriez de la casser ! L'eau projetée par les pneus peut réduire l'efficacité des freins d'immobilisation.

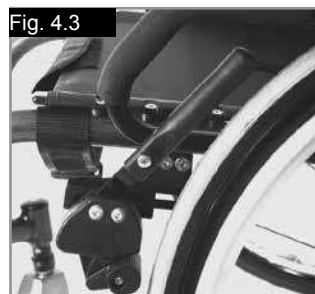
⚠ ATTENTION !

Si le frein n'est pas correctement monté, vous devrez forcer pour l'actionner.

Cela pourrait casser la rallonge du levier de frein.

Freins compacts

Les freins compacts se trouvent sous la toile du siège. Pour les activer, il suffit de tirer les freins vers l'arrière, en direction du pneu. Pour que les freins fonctionnent correctement, il convient de les tirer jusqu'à ce qu'ils heurtent la butée, (Fig. 4.4).



Frein unilatéral

Le frein unilatéral se trouve sous la toile d'assise. Pour l'activer, il suffit de tirer le levier de frein (situé à droite ou à gauche) vers l'arrière, en direction du pneu. Pour que le frein fonctionne correctement, il convient de le tirer à fond, jusqu'à ce qu'il heurte la butée, (Fig. 4.5)

Réglage

Pour régler le frein, desserrez les vis (1) et placez le frein à l'endroit où il pourra fonctionner de manière optimale (Fig. 4.6).

⚠ ATTENTION !

Le montage incorrect du frein unilatéral peut entraîner de graves blessures pour l'utilisateur et toute autre personne.



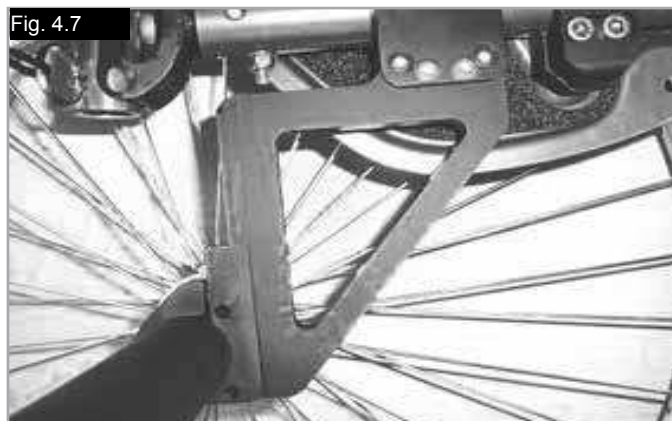
Réglage du support d'axe pour handbike

Support d'axe pour handbike

Il est nécessaire de régler le support d'axe du handbike afin de déplacer le centre de gravité vers l'arrière. Cela permet une utilisation sûre de l'accessoire, (Fig. 4.7).

⚠ DANGER !

Utiliser le handbike sans le support d'axe pour handbike a pour effet de déstabiliser le fauteuil et peut entraîner de graves blessures pour l'utilisateur et toute autre personne.



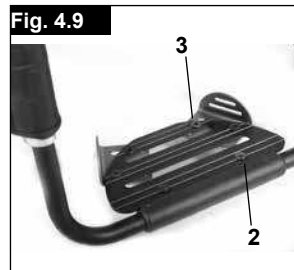
Réglage du repose-pied

Réglage du repose-pied

⚠ AVERTISSEMENT !

- **Accompagnateur :** Ne prenez jamais appui sur la palette. Même si l'utilisateur est assis dans son fauteuil, cela pourrait faire basculer le fauteuil et entraîner des blessures.
- **Utilisateur :** Lorsque vous montez ou descendez du fauteuil, ne prenez pas appui sur la palette, cela pourrait faire basculer le fauteuil et entraîner des blessures.

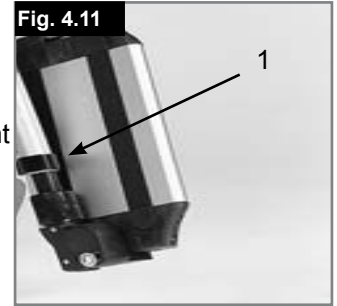
Enlevez la vis (1) pour régler le repose-pied à la longueur adapté à vos jambes puis rattachez le repose-pied. L'angle du repose-pied peut se régler individuellement en desserrant les vis (2). Les cales latérales de la palette (3) empêchent tout glissement involontaire des pieds. Après avoir procédé à vos réglages, vérifiez toujours d'avoir bien revissé toutes les vis (voir la section sur la force de torsion) (Fig. 4.8 - 4.9).



Palette

Palette - Aluminium

Il existe plusieurs types de repose-pied. Ces repose-pieds se rabattent pour monter et descendre plus facilement du fauteuil, (Fig. 4.11).



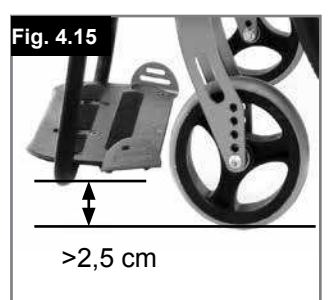
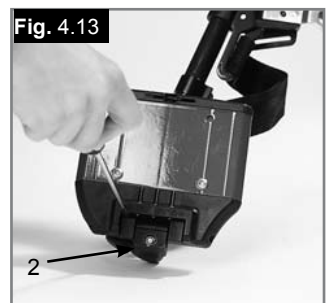
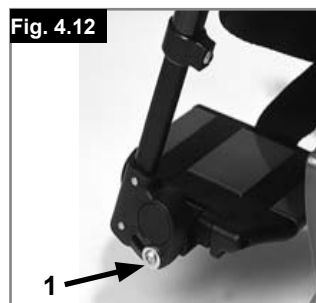
Plaque de repose-pieds à inclinaison variable

La palette se rabat pour monter et descendre plus facilement du fauteuil, (Fig. 4.12 - 4.14). Vous pouvez modifier l'angle d'inclinaison de la plaque par rapport au sol. Serrez la vis (1) sur la partie extérieure. Après avoir desserré les clips (2), vous pouvez régler la palette sur trois positions différentes, à la fois vers l'avant et vers l'arrière. La vis de réglage (3) permet de placer la palette en position horizontale. Pour cela, la palette doit être relevée. Après avoir procédé à vos réglages, vérifiez toujours d'avoir bien revissé toutes les vis (voir la section sur la force de torsion). Veillez à toujours conserver l'écart minimum avec le sol de 2,5 cm (Fig. 4.15).

Palette - Composite

Palettes :

Les repose-pieds peuvent être rabattus pour monter et descendre plus facilement du fauteuil.

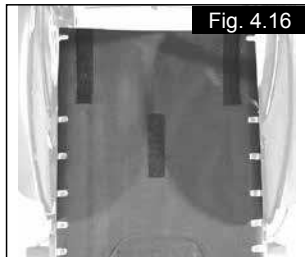


Siège

Toile du siège

Retirez les vis sur le côté gauche de la sangle. Ajustez la matière VELCRO® pour tendre davantage la sangle du siège. Resserez les vis.

Si les vis sont difficiles à resserrer, essayez de repérer les trous au moyen d'un objet tranchant. Vérifiez également que la base en plastique est bien positionnée avant de resserrer les vis, (Fig. 4.16).

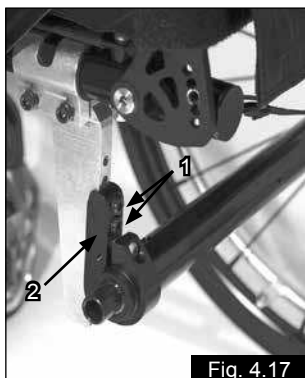


Hauteur du siège

Réglage de la hauteur du siège (Fig. 4.17)

Pour régler la hauteur d'assise à l'arrière, desserrez et retirez les 4 vis (1) (2 de chaque côté) qui fixent le collier (2). Réglez les deux colliers à la hauteur désirée et replacez les quatre vis. Avant de resserrer les vis, procédez comme suit pour définir le pincement ou l'ouverture à zéro (voir Fig. 4.19 - 4.20). Serrez les vis à 7 Nm.

REMARQUE : Il peut être nécessaire de régler l'inclinaison des roues avant pendant le réglage de la hauteur d'assise à l'arrière.



Roues avant

Roue avant, Support de fourche, Fourche

Il est possible que le fauteuil tire légèrement à droite ou à gauche ou que les roues avant aient du jeu. Cela peut être dû aux raisons suivantes :

- Le mouvement avant et arrière des roues n'est pas correctement réglé.
- Le réglage du carrossage n'est pas adapté.
- La pression et la souplesse des roues arrière et des roues avant ne sont pas adaptées.

Les roues avant doivent être réglées de façon optimale pour que le fauteuil roule de façon rectiligne. Les réglages des roues avant doivent toujours être confiés à un revendeur agréé. En cas de modifications de la position de la roue arrière, les réglages du support de fourche et du frein doivent être contrôlés.

Réglage des roues avant

Comptez les dents visibles des deux côtés pour vérifier que les deux fourches sont bien parallèles. Une fois la fourche des roues avant ajustée, les dents garantissent stabilité au fauteuil, permettant un réglage de 16° obtenu par incréments de 2°. Utilisez le côté plat à l'avant de la fourche pour vérifier qu'elle est perpendiculaire au sol (Fig. 4.19).

Le modèle breveté permet de faire pivoter la fourche de manière à la régler perpendiculairement au sol en cas d'inclinaison de l'assise.

Réglage de la stabilité directionnelle

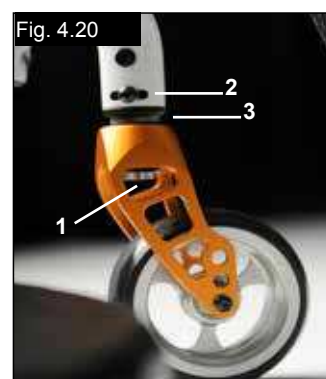
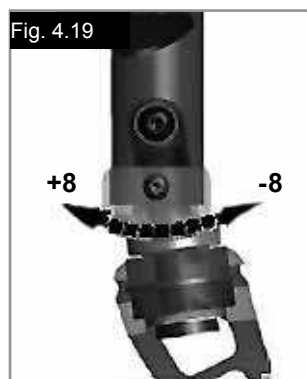
Retirez les vis hexagonales (1) du dessous de la fourche. Vous pouvez maintenant dévisser la vis (2) Vous pouvez maintenant orienter la douille noire (3) vers la droite ou la gauche.

Gauche – le fauteuil tire vers la gauche

Droite – le fauteuil tire vers la droite

Resserrez la vis (2). Réglez un angle à 90° entre la fourche et le sol.

Revissez maintenant la vis (1). (Fig. 4.20).



Alignement des roues

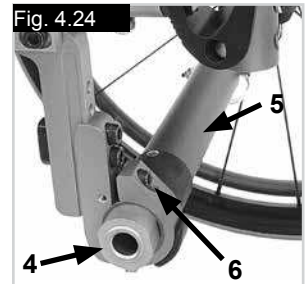
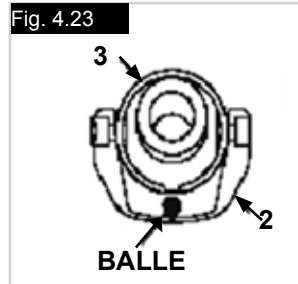
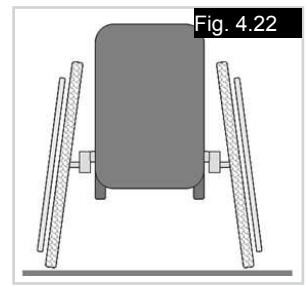
Réglage de l'alignement des roues

Important : Pour obtenir un déplacement optimal du fauteuil, les roues arrière doivent être parfaitement réglées, ce qui revient à régler correctement leur alignement.

Pour le vérifier, mesurez la distance entre les deux roues avant et arrière pour s'assurer qu'elles sont parallèles l'une par rapport à l'autre.

La différence entre les deux mesures ne doit pas dépasser 5 mm.

Pour régler les roues de sorte qu'elles soient parallèles, desserrez les vis et tournez le canon d'axe dans un sens ou dans l'autre. Après avoir procédé à vos réglages, vérifiez toujours d'avoir bien revissé toutes les vis (voir la section sur la force de torsion).



Argon2 - Réglage du guidage

Réglage du pincement ou de l'ouverture des roues à zéro

REMARQUE : Un fauteuil avec des canons de carrossage de 0° ne peut avoir de pincement, ni d'ouverture des roues. Ce réglage est réservé aux canons de carrossage de 3°, 6° et 9°.

Les termes « pincement » et « ouverture » désignent l'alignement des roues arrière du fauteuil par rapport au sol, lequel détermine le bon fonctionnement du fauteuil. Une résistance normale ou une résistance au roulement est présente lorsque le pincement est réglé sur zéro.

Pour régler le pincement ou l'ouverture des roues :
Desserrez les vis hexagonales (1) (une de chaque côté) qui fixent le collier d'équerre. Vérifiez la bille sur le plan horizontal (2), puis tournez le tube d'équerre (3) jusqu'à ce que la bille soit au centre. Le pincement est égal à zéro.

Avant de resserrer les vis (1), vérifiez que le tube d'équerre est bien centré de gauche à droite. L'espace doit être identique des deux côtés ou nul. Serrez les vis à 7 Nm. (Fig. 4.21 - 4.23).

Réglez la largeur de l'empattement :

L'empattement arrière correspond à la distance entre la partie supérieure des roues arrière et les montants du dossier, et son réglage usine est de 1,25 cm. Pour obtenir un espace plus important entre les pneus et les accoudoirs réglables en hauteur, en option, il convient d'augmenter l'empattement arrière (Fig. 4.24).

REMARQUE : Réglez une roue après l'autre pour définir l'empattement arrière. Le resserrage simultané des deux roues a pour effet de dérégler le pincement ou l'ouverture. Pour régler l'empattement arrière, les pièces du carrossage (4) coulissent vers l'intérieur ou l'extérieur de la barre de carrossage (5) et s'enclenchent lorsqu'elles atteignent la butée. Resserrez la vis (6) (la plus proche de la barre de carrossage) sur le côté gauche du fauteuil. Déplacez l'axe à déverrouillage rapide vers l'intérieur ou l'extérieur jusqu'à obtenir l'empattement souhaité. Serrez les vis à 7 Nm. Procédez de même du côté droit du fauteuil en veillant à ce que l'espacement soit identique à celui de gauche.

Dossier

Dossier réglable en angle

L'angle d'inclinaison du dossier se règle en modifiant la position de la goupille située dans le montant du dossier. La goupille (1) doit être complètement mise en place dans les configurations de trous de chaque côté, vous permettant un réglage de l'angle de 8.5°.

Placez les goupilles en plastique rouges dans les trous non-utilisés. Pour obtenir un angle plus petit (3.5°), retirez la vis hexagonale (2) et replacez-la dans le second trou. Veuillez utiliser le couple correct (voir matrice) pour serrer les vis (2).

Ceci vous donne 12° de réglage d'angle du dossier de 12°. Déplacez ensuite la goupille (1) dans la direction opposée vers le trou suivant, vous permet une modification de 12° - 8° = 3.5°. (Fig. 4.25)

Pour réduire le jeu dans le dossier, l'écrou (1) peut être retiré, puis une position optimale peut être obtenue en utilisant la vis de pression (2). Puis resserrer de nouveau l'écrou (1). (Fig. 4.26).

⚠ ATTENTION !

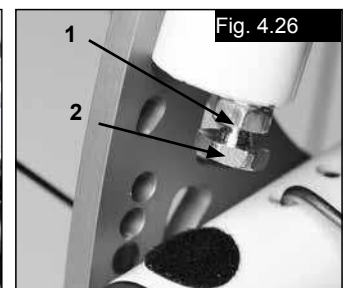
Il est impératif de bien revisser les vis, à défaut de quoi le réglage de l'angle d'inclinaison sera perdu.

Dossier rabattable

Pour libérer le dossier, tirez sur la corde tout en poussant le dossier vers l'avant jusqu'à ce qu'il se rabatte. Pour ramener le dossier à sa position d'origine, tirez-le en arrière, jusqu'à ce que les deux montants s'enclenchent.

⚠ ATTENTION !

Lorsque vous rabattez le dossier vers l'avant, veillez à ne pas vous pincer les doigts.



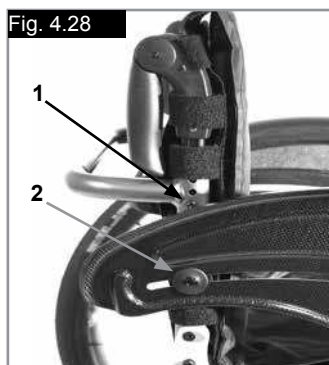
Toile du dossier réglable

Vous pouvez régler la tension de la toile du dossier à l'aide des sangles.

Une fente permet d'accéder à la garniture de la toile depuis l'intérieur et la matière choisie peut varier selon les choix individuels, (Fig. 4.27).

Dossier à hauteur réglable

Vous pouvez régler la hauteur du dossier à diverses hauteurs, par incréments de 2,5 cm. Les fourchettes de réglage sont de 25- 30 cm, 30- 35 cm, 35- 40 cm et 40- 45 cm. Dévissez la vis (1+2) et réglez le dossier à la hauteur désirée. Revissez ensuite les vis (Voir la page couples de serrage). (Fig. 4.28).



Fixation du tube de logement de l'accoudoir

(Fig. 4.29 - 4.32).

Réglage de l'ouverture du tube de logement de l'accoudoir

Pour réduire ou élargir la taille du montant extérieur de l'accoudoir dans le tube de logement :

1. Desserrez les quatre boulons de réglage (9) du tube de logement situés sur les côtés du tube.
2. Tandis que l'accoudoir se trouve dans le tube de logement (7), serrez le tube à l'ouverture désirée.
3. Resserrez les quatre boulons (9). (144 pouces / lbs, 16,3 Nm)

Réglage de la position

1. Desserrez les deux boulons de blocage (10) jusqu'à ce que la pince soit desserrée.
2. Glissez le tube de logement de l'accoudoir à la position désirée.
3. Revissez.

Fig. 4.29 - 4.30 - Légende des composants

1. Montant extérieur
2. Levier de déverrouillage de réglage de la hauteur
3. Levier de déverrouillage
4. Manchette de l'accoudoir
5. Barre de transfert
6. Panneau latéral
7. Récepteur
8. Fixation
9. Boulons de réglage du tube de logement
10. Boulons de blocage

Protège-vêtement

Accoudoirs réglables à montant unique

(Fig. 4.29 - 4.32).

1. Installation

- Faites glisser le montant extérieur dans le tube de logement monté sur le châssis du fauteuil.
- L'accoudoir s'enclenche automatiquement.

2. Réglage de la hauteur

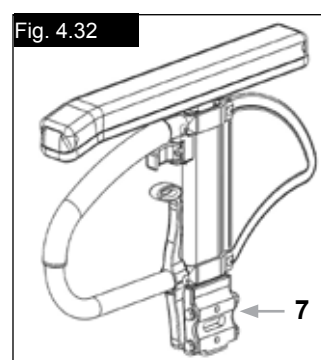
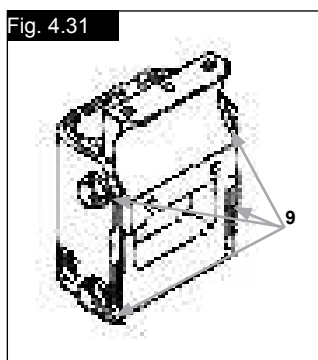
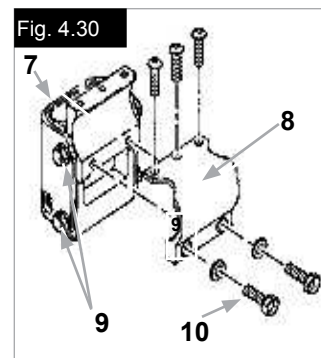
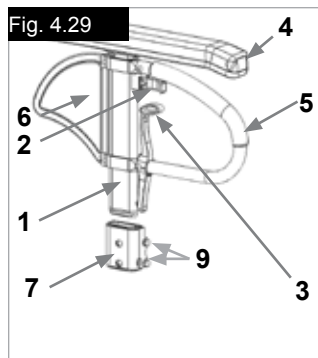
- Pivotez le levier de déverrouillage de réglage de la hauteur (2) jusqu'à la deuxième butée.
- Montez ou baissez l'accoudoir à la hauteur désirée.
- Ramenez le levier en position verrouillée contre le montant.
- Poussez la manchette d'accoudoir (4) jusqu'à enclenchement du montant supérieur.

3. Retrait de l'accoudoir

- Tirez le levier 3 et soulevez l'accoudoir dans son intégralité.

4. Installation de l'accoudoir

- Glissez l'accoudoir à l'intérieur du tube de logement jusqu'à enclenchement.



Protège-vêtements

Accoudoir réglable en hauteur à l'aide d'un outil

Installation : Glissez le montant dans le tube de logement jusqu'à ce qu'il heurte le fond

Réglage de la hauteur :

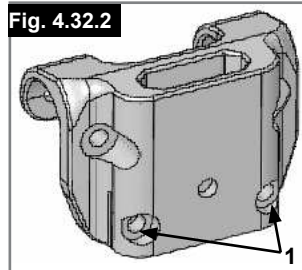
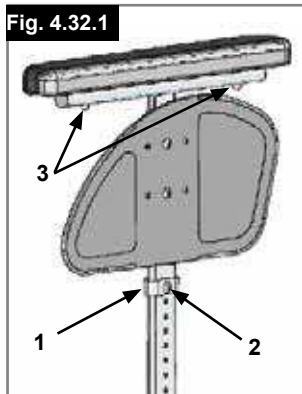
Glissez le montant hors du tube de logement. Réglez la position de la bague de réglage de la hauteur (1). Retirez pour cela la vis (2) et déplacez la bague à la position désirée. Remettez la vis et resserrez-la. Glissez à nouveau le montant dans le tube de logement, (Fig. 4.32.1).

Position de la manchette:

Réglez la position de la manchette. Desserrez pour cela les vis (3), puis déplacez la manchette à la position désirée. Resserrez les vis (Fig. 4.32.1).

Réglage du tube de logement de l'accoudoir

Vous pouvez régler le degré de serrage du tube de logement de l'accoudoir au moyen des 2 vis (1) - (Fig. 4.32.2).

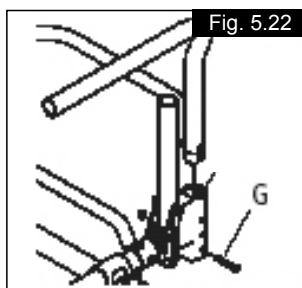


Accoudoir tubulaire réglable, escamotable et amovible (Fig. 5.22).

Pour monter ou descendre plus facilement du fauteuil, levez légèrement l'accoudoir et basculez-le ou détachez-le en le hissant vers le haut. La hauteur se règle selon la position de la vis G.

AVERTISSEMENT !

Ne soulevez jamais le fauteuil par les protège-vêtement ou par les accoudoirs.



Poignées de poussée

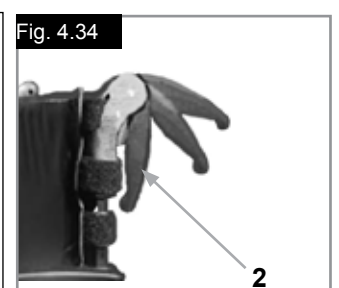
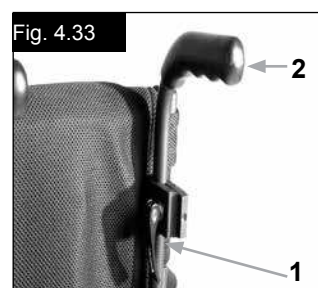
Poignées de poussée réglables en hauteur

Les poignées sont maintenues en place par des goupilles qui les empêchent de sortir accidentellement. En ouvrant le levier de serrage (1), il est possible de régler individuellement la hauteur des poignées de poussée (2). Lors de l'enclenchement du levier, un clic vous indiquera que vous pouvez mettre aisément la poignée de poussée dans la position souhaitée. L'écrou du levier de serrage détermine le serrage au niveau du support de la poignée de poussée. Après enclenchement du levier, si l'écrou est desserré, la poignée sera lâche. Avant utilisation, vérifiez que le serrage est suffisant en faisant pivoter latéralement la poignée. Après avoir réglé la hauteur de la poignée, serrez fermement le levier de serrage (1). Quand le levier de serrage n'est pas serré, cela peut occasionner des blessures lors de la montée d'escaliers. (Fig. 4.33).

REMARQUE – Si les poignées réglables en hauteur ne sont pas correctement positionnées, elles peuvent avoir du jeu ou se déplacer. Vérifiez d'avoir fermement revissé toutes les vis.

Poignées de poussée escamotables

Lorsqu'elles ne sont pas utilisées, les poignées peuvent être rabattues à l'aide d'un bouton poussoir (2). Déployez-les jusqu'à ce qu'elles soient encliquetées avant de les utiliser. (Fig. 4.34).



AVERTISSEMENT !

Sunrise Medical recommande l'utilisation de roulettes anti-bascule avec tous les fauteuils. Il convient d'utiliser un couple de serrage de 7 Nm pour fixer les roulettes anti-bascule.

1. Insertion des roulettes anti-bascule dans le collier.

- a. Appuyez sur le bouton situé à l'arrière de la roulette anti-bascule sur l'adaptateur de la roulette anti-bascule de sorte que les deux goupilles de déverrouillage se rétractent vers l'intérieur
- b. Insérez les roulettes anti-bascule (1) dans l'adaptateur.
- c. Tournez le montant antibasculément vers le bas jusqu'à l'enclenchement de la goupille de déverrouillage dans le collier.
- d. Fixez la deuxième roulette anti-bascule de la même façon.

2. Réglage des roulettes anti-bascule

Pour obtenir une garde au sol correcte d'environ 2,5 cm à 5,0 cm, il est nécessaire d'élever ou d'abaisser les roulettes anti-bascule et de les régler à la bonne hauteur. Appuyez sur le bouton de déverrouillage de la roulette anti-bascule de sorte que les deux goupilles de déverrouillage se rétractent vers l'intérieur. Abaissez ou élevez le montant intérieur pour l'insérer dans les trous de réglage de la hauteur prévus à cet effet. Relâchez le bouton. Fixez la deuxième roulette anti-bascule de la même façon. Les deux roulettes anti-bascule doivent être exactement à la même hauteur. (Fig. 4.35).

DANGER !

Sunrise Medical recommande fortement l'utilisation de roulettes anti-bascule :
En l'absence de roulettes anti-bascule, ou si celles-ci ont été mal installées, le fauteuil risque de basculer et de provoquer des blessures.

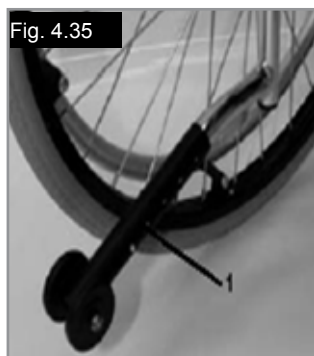


Fig. 4.35

Dispositif anti-bascule actif relevable

Le dispositif anti-bascule actif se monte à droite ou à gauche du tube de l'axe des roues arrière. Pour débloquer le dispositif anti-bascule afin de l'utiliser, il suffit de le ramener brièvement vers le tube de l'axe des roues arrière (Fig. 4.36).

AVERTISSEMENT !

Vérifiez que le dispositif anti-bascule est bien enclenché en position finale, à défaut de quoi cela pourrait entraîner de graves blessures pour l'utilisateur.



Fig. 4.36

Dispositif anti-bascule actif pour le sport

Pour déployer le dispositif anti-bascule actif pour le sport, enfoncez le bouton de la goupille à déverrouillage rapide et sortez la goupille. Déployez le dispositif en le sortant de son tube de logement, (Fig. 4.37 - 4.38).



Fig. 4.37

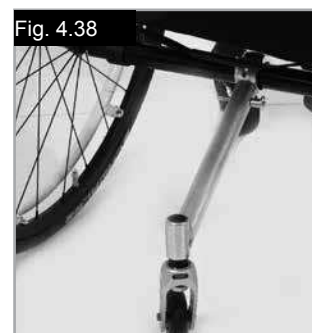


Fig. 4.38

Porte-canne

Porte-canne (Fig. 4.39)

Le porte-canne vous permet de toujours transporter votre canne avec vous. Une bande Velcro sert à fixer la canne ou tout autre système d'aide à la marche.

ATTENTION !

N'essayez jamais d'utiliser ni d'enlever votre canne ou tout autre système d'aide à la marche pendant que vous vous déplacez en fauteuil.

Fig. 4.39



Roulettes de transit

Roulettes de transit (Fig. 4.40)

Utilisez les roues de transit dans les cas de figure où le fauteuil serait trop large avec les roues arrière standard (par ex. à bord d'un avion, dans un bus, etc.). Quand les roues arrière sont retirées grâce à l'axe à déverrouillage rapide, on peut continuer à rouler sur les roulettes de transit. Ces roulettes sont montées de manière à être environ 3 cm au-dessus du sol quand elles ne sont pas utilisées. Ainsi elles ne gênent pas le déplacement, le transport, ni l'inclinaison du fauteuil pour franchir des obstacles (comme le trottoir, les marches, etc.).

Fig. 4.40



ATTENTION :

Sans ses roues arrière, votre fauteuil n'a pas de freins d'immobilisation.

REMARQUE : En cas d'utilisation des roulettes et des montants antibasculement, la fixation des roulettes doit être montée entre le collier du tube du carrossage et la fixation du collier du montant antibasculement (non illustrée).

Support antéro-latéral (Ceinture sous-abdominale)

DANGER !

- Avant d'utiliser votre fauteuil roulant assurez-vous que la ceinture sous-abdominale soit mise.
- La ceinture sous-abdominale doit être contrôlée quotidiennement
- afin de s'assurer que son fonctionnement n'est pas altéré par des éléments divers ou par l'usure.
- Toujours vérifier que la ceinture sous-abdominale est bien fixée et correctement réglée avant d'utiliser le fauteuil. Une sangle trop lâche peut entraîner le glissement de l'utilisateur et causer un risque de suffocation ou des blessures graves.

La ceinture sous-abdominale est fixée sur le fauteuil comme représenté dans l'illustration. La ceinture de sécurité se compose de 2 moitiés. Elles sont installées en utilisant le boulon de maintien existant du siège fixé à travers l'œillet de la ceinture. La ceinture est passée sous l'arrière du panneau latéral. (Fig. 4.41)

Ajustez la position de la ceinture afin que les attaches soient au centre du siège. (Fig. 4.42)

Fig. 4.41

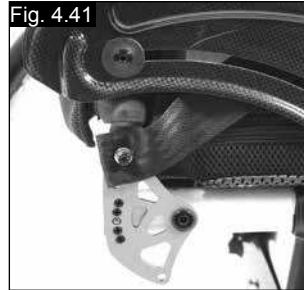


Fig. 4.42



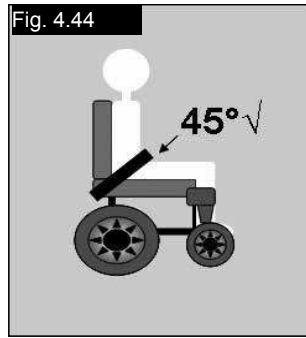
Ajustez la ceinture sous-abdominale afin de convenir aux besoins de l'utilisateur comme ci-après :

Pour réduire la longueur de la ceinture	Pour augmenter la longueur de la ceinture
<p>Passez la ceinture par l'attache male et le dispositif de réglage coulissant. Assurez-vous que la ceinture n'ait pas de nœud au niveau de l'attache male.</p>	<p>Passez la ceinture par les dispositifs de réglage coulissant et l'attache male afin d'obtenir plus de longueur de ceinture.</p>

Une fois la ceinture attachée, vérifiez l'espace entre la ceinture sous-abdominale et l'utilisateur. Si la ceinture est correctement réglée, vous pouvez passer la main à plat entre la ceinture sous-abdominale et l'utilisateur. (Fig. 4.43 ci-contre).

Support antéro-latéral (Ceinture sous-abdominale)

La ceinture sous-abdominale doit être fixée de façon à ce que la ceinture soit à un angle de 45 degrés au travers du bassin de l'utilisateur. L'utilisateur doit être bien droit et le plus à l'arrière possible dans le siège quand réglée correctement. La ceinture sous-abdominale ne doit pas permettre à l'utilisateur de glisser du siège. (Fig. 4.44)



Pour attacher la ceinture :

Poussez l'attache male de façon ferme dans l'attache femelle.

Pour retirer la ceinture :

Appuyez sur les parties exposées de l'attache male vers le centre tout tirant doucement pour les séparer.

⚠ AVERTISSEMENT !

- Si vous avez des doutes au sujet de l'utilisation et de la manipulation de la ceinture demandez l'assistance de votre professionnel de la santé, de votre fournisseur du fauteuil roulant, de votre aide-soignant ou de votre tierce personne .
- La ceinture sous-abdominale ne doit être installée que par un revendeur ou agent Sunrise Medical autorisé .
- La ceinture sous-abdominale doit être ajustée par un professionnel uniquement, ou un revendeur ou agent Sunrise Medical autorisé.
- La ceinture sous-abdominale doit être contrôlée quotidiennement afin de s'assurer que l'ajustement est correct et que son fonctionnement n'est pas altéré par des éléments divers ou par l'usure.
- Sunrise Medical déconseille le transport de toute personne dans un véhicule utilisant la ceinture sous-abdominale en tant que moyen de retenue .



Veillez consulter la brochure du transit Sunrise Medical afin d'obtenir des conseils sur le transport des personnes.

Entretien :

Vérifiez régulièrement l'état de la ceinture et des composants de retenue afin de détecter l'apparition d'éventuels signes d'endommagement ou de déchirure. Remplacez la ceinture, si nécessaire.

⚠ AVERTISSEMENT

La ceinture sous-abdominale doit être réglée de façon à s'adapter à l'utilisateur comme détaillé ci-dessus. Sunrise Medical recommande que la longueur et l'ajustement de la ceinture soient vérifiés régulièrement afin de réduire les risques de réajustement de la ceinture à une longueur excessive causés par inadvertance par l'utilisateur final.

5.0 Pneus et montage des pneus

Le fauteuil est équipé de série de pneus à bandage en caoutchouc.

Avec des pneus à chambre à air, veillez à toujours avoir la bonne pression, à défaut de quoi la performance du fauteuil pourrait être affectée. Quand la pression est insuffisante, il faut dépenser plus d'énergie car la résistance du fauteuil est très élevée. La maniabilité du fauteuil en est réduite. Le pneu peut éclater si la pression est trop élevée. La pression correcte est indiquée sur le bandage du pneu.

Les pneus se montent comme des pneus de vélo ordinaires. Avant de remplacer la chambre à air, inspectez la jante et la paroi interne du pneu et enlevez tout éventuel corps étranger. Vérifiez la pression des pneus après le montage ou la réparation. Il est important pour votre propre sécurité et pour une bonne performance de votre fauteuil de vérifier la pression de l'air régulièrement et de maintenir les pneus en bon état.

6.0 Maintenance et entretien

- Vérifiez la pression des pneus toutes les 4 semaines. Inspectez tous les pneus pour repérer tout éventuel signe d'usure ou d'endommagement.
- Vérifiez l'état des freins une fois par mois pour être certain qu'ils fonctionnent correctement et qu'ils sont faciles à utiliser.
- Les pneus se montent comme des pneus de vélo courants.
- Toutes les jointures essentielles au fonctionnement sécurisé de votre fauteuil sont dotées d'écrous autofreinés. Vérifiez SVP tous les trois mois que les raccords vissés (voir la section des couples de serrage) sont solides. Les écrous de sécurité ne doivent être utilisés qu'une seule fois. Après une utilisation répétée, vous devez remplacer ces écrous.
- Quand votre fauteuil est sale, nettoyez-le uniquement avec un nettoyant ménager doux. Pour nettoyer la garniture du siège, n'utilisez qu'une solution savonneuse.

Maintenance et entretien

- Si votre fauteuil est humide, séchez-le SVP après utilisation.
- Les axes à déverrouillage rapide doivent être légèrement graissés avec de l'huile pour machine à coudre environ toutes les 8 semaines. Suivant l'utilisation que vous faites de votre fauteuil, nous vous recommandons de demander à votre revendeur d'effectuer un contrôle de votre fauteuil tous les 6 mois.

ATTENTION !

Le sable et l'eau de mer (les projections de sel en hiver) endommagent la suspension des roues avant et des roues arrière. Nettoyez bien le fauteuil s'il a été exposé à ces éléments.

Les pièces suivantes sont amovibles et peuvent être renvoyées au fabricant/revendeur pour être réparées :

- Roues arrière
- Accoudoir
- Support de repose-pieds
- Roulettes anti-bascule

Ces composants sont disponibles comme pièces détachées. Pour de plus amples informations, consultez le catalogue des pièces détachées.

Mesure d'hygiène en cas de cession du fauteuil :

Avant de laisser une autre personne utiliser le fauteuil, il convient de l'apprêter soigneusement. Toutes les surfaces entrant en contact avec le nouvel utilisateur doivent être désinfectées.

Pour effectuer ceci, vous devez utiliser un désinfectant de la liste DGHM, par ex. Antifect Liquid (Schülke & Mayr) pour une désinfection rapide à base d'alcool pour produits et appareils médicaux, qui doivent être désinfectés rapidement.

Suivez toujours les instructions du fabricant du produit désinfectant utilisé.

En règle générale, une désinfection totale ne peut être garantie sur les coutures. Par conséquent et conformément à l'article 6 de la réglementation relative à la protection contre les infections, il est recommandé de mettre au rebut la toile du siège et du dossier afin d'éviter toute contamination micro-bactérienne par les agents actifs.

7.0 Mise au rebut / Recyclage des matériaux

Si ce fauteuil a été mis à votre disposition gratuitement, il ne vous appartient pas. Si vous n'en avez plus usage, veuillez le rendre à l'organisation qui vous l'a fourni.

La section suivante décrit les différents matériaux composant le fauteuil en vue de la mise au rebut ou du recyclage du fauteuil et de ses matériaux d'emballage.

Vous devez respecter toute éventuelle réglementation spécifique en vigueur dans votre localité pour la mise au rebut et le recyclage. (notamment le nettoyage ou la décontamination du fauteuil roulant avant sa mise au rebut).

Aluminium : Fourches, roues, protège-vêtement, cadre des accoudoirs, repose-pieds, poignées de poussée

Acier : Points d'arrimage, axe à déverrouillage rapide

Plastique : Revêtement des poignées, butées des montants, roues avant, palette, manchettes et roue/pneu 12 pouces

Emballage : Sacs en plastique composés de polyéthylène, cartons

Toile : Polyester tissé à revêtement PVC et mousse expansée à combustion modifiée.

La mise au rebut ou le recyclage doit être assuré par une entreprise spécialisée ou dans une décharge publique. Vous pouvez également ramener votre fauteuil à votre revendeur pour sa mise au rebut.



8.0 Dépannage

Le fauteuil tire sur le côté

- Vérifiez la pression des pneus.
- Vérifiez que la roue (roulement, axe) roule sans problèmes.
- Vérifiez l'angle des roues avant
- Vérifiez si les roues avant sont toutes les deux en contact avec le sol.

Les roues avant oscillent

- Vérifiez l'angle des roues avant
- Vérifiez que les visseries sont fixes, resserrez-les le cas échéant (voir la page des couples de serrage)
- Vérifiez si les roues avant sont toutes les deux en contact avec le sol.

Fauteuil / les tubes de traverse ne s'enclenchent pas dans la selle du siège

- Le fauteuil est encore neuf et la garniture du siège ou du dossier est encore rêche. Cela changera avec le temps.

Le fauteuil est difficile à plier

- La toile du dossier est trop tendue. Détendez-la un peu.

Le fauteuil grince et cliquette

- Vérifiez que les visseries sont fixes, resserrez-les le cas échéant (voir la page des couples de serrage)
- Graissez légèrement les parties articulées.

Le fauteuil a du jeu

- Vérifiez l'angle des roues avant
- Vérifiez la pression des pneus.
- Vérifiez si les roues arrière sont réglées différemment.

9.0 Transportabilité

⚠ DANGER !

Il y a risque de blessures sérieuses ou de mort si ce conseil n'est pas respecté.

Transport de votre fauteuil roulant dans un véhicule :

Un fauteuil roulant arrimé dans un véhicule n'assurera pas le même niveau de sécurité que les sièges du véhicule. Il est toujours recommandé que l'utilisateur soit transféré au siège du véhicule. Sunrise Medical reconnaît qu'il n'est pas toujours facile de transférer l'utilisateur et dans une telle situation où l'utilisateur doit être transporté tout en étant dans son fauteuil roulant, il convient de suivre les recommandations suivantes :

⚠ DANGER !

- Vérifiez que votre fauteuil roulant convient aux essais de collision (voir plaque signalétique ou patte de fixation d'essai de collision au dos du fauteuil (Fig. I).
- Faites vous confirmer que le véhicule est correctement équipé pour transporter un passager dans un fauteuil roulant, et assurez-vous que la méthode d'accès/de sortie est convenable pour votre type de fauteuil roulant. Le sol du véhicule doit être suffisamment résistant pour supporter le poids de l'utilisateur avec celui du fauteuil roulant et de ses accessoires.
- Suffisamment d'espace doit être disponible autour du fauteuil afin d'avoir un accès facile pour attacher, serrer et détacher le fauteuil roulant et le dispositif de retenue de l'occupant et les ceintures de sécurité.
- Le fauteuil doit être placé dans le sens de la marche et être ancré par les points d'arrimage et le système de retenue et de fixation (conforme à la norme ISO 10542 ou SAE J2249) conformément aux instructions du fabricant du système de retenue.
- L'utilisation du fauteuil à bord d'un véhicule motorisé dans une position autre que celle préconisée n'a pas fait l'objet de tests, ainsi le positionnement latéral du fauteuil ne doit être envisagé en aucun cas (Fig. A).
- Le fauteuil doit être sécurisé par un système d'arrimage conforme à ISO 10542 ou SAE J2249 avec sangles avant non-réglables et sangles arrière réglables, qui utilise typiquement des mousquetons/crochet en S et des boucles à ardillons. Ces dispositifs de retenue comprennent généralement 4 sangles individuelles qui sont attachées de chaque côté du fauteuil roulant.
- Ce système d'arrimage doit être fixé au châssis principal du fauteuil roulant comme indiqué dans le schéma sur la page suivante, et non pas à tout points d'attache ou accessoires, ex. pas autour des rayons des roues, freins ou repose-pied.
- Le système de fixation doit être attaché le plus possible à un angle de 45° et tendu conformément aux indications du fabricant.
- Ne modifiez et ne remplacez pas les points d'ancrage du fauteuil, ni les composants structurels sans avoir préalablement demandé l'avis du fabricant, à défaut de quoi le fauteuil Sunrise Medical ne sera pas conforme pour le transport à bord d'un véhicule motorisé.
- Les deux ceintures de retenue au niveau du bassin et du torse supérieur doivent être utilisées pour retenir le passager afin de réduire la possibilité de choc de la tête ou du torse avec les composants du véhicule et de risques graves de blessures à l'utilisateur et tout autre occupant du véhicule. (Fig. B) La ceinture de retenue du torse supérieur doit être montée au pilier "B" du véhicule - ne pas respecter ceci augmente le risque de blessures abdominales graves à l'utilisateur.
- Un soutien de tête adéquate pour le transport (voir étiquette de l'appui-tête) doit être installé et doit être dans la position souhaitée à tout moment pendant le transport.
- Les systèmes de maintien posturaux (sangles sous-abdominales, ceintures sous-abdominales) ne doivent pas servir de système de retenue dans un véhicule en déplacement, à moins qu'ils ne soient conformes à la norme ISO 7176-19:2001 ou SAE J2249, ce qui doit être spécifiquement indiqué sur l'étiquette.
- La sécurité de l'utilisateur pendant son transport dépend de la vigilance de la personne sécurisant le système d'arrimage et cette personne devrait avoir reçu des instructions appropriées et/ou une formation sur leur utilisation.
- Dans la mesure du possible, retirez du fauteuil et rangez tous les accessoires et équipements auxiliaires, comme par exemple :
 - Les cannes, les coussins amovibles et les tablettes.
 - Vous ne devez pas utiliser les repose-jambe articulés/élévateurs en position élevée quand le fauteuil roulant et l'utilisateur sont transportés et quand le fauteuil roulant est retenu par des dispositifs de retenue pour le transport de fauteuils roulants et de son passager.
- Les dossiers inclinables doivent être remis en position verticale.
- Les freins manuels du fauteuil doivent impérativement être enclenchés.
- Les dispositifs de retenue doivent être montés au pilier "B" du véhicule et ne doivent pas être retenus par des composants du fauteuil roulant tel les accoudoirs ou les roues.

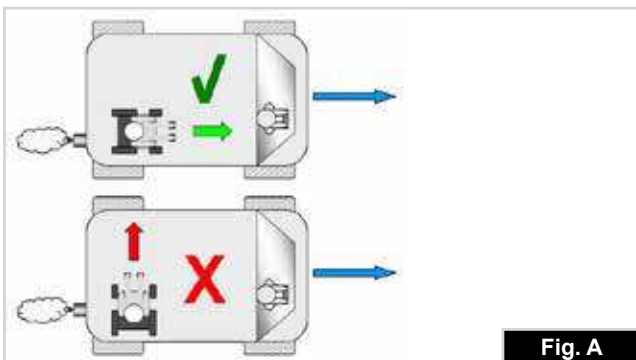


Fig. A



Fig. B

Transportabilité

Instructions pour le système de retenue de l'occupant :

1. La ceinture de retenue du bassin doit être fixée en position basse à travers le bassin de façon à ce que l'angle de la ceinture du bassin soit dans la zone de préférence entre 30 et 75 degrés par rapport à l'horizontal.

Un plus grand angle au sein de la zone de préférence est recommandé c'est-à-dire plus proche de 75°, mais sans jamais cependant dépasser cette limite. (Fig. C)

2. La ceinture thoracique doit passer par-dessus l'épaule et en travers de la poitrine, comme illustré aux Fig. D et E. Les ceintures de retenue doivent être serrées le plus possible, tout en respectant le confort de l'utilisateur. La sangle de la ceinture de sécurité ne doit pas être entortillée pendant son utilisation.

La ceinture thoracique doit passer par-dessus l'épaule et en travers de l'épaule, comme illustré aux Fig. D et E.

3. Les points de retenue au fauteuil sont le côté interne avant du châssis juste au-dessus de la roue avant et l'arrière du châssis. Les sangles sont fixées autour des flancs de châssis, à l'intersection des tubes de châssis horizontaux et verticaux. (Voir Fig. G-H-I)

4. Le symbole d'arrimage (Fig. F) sur le châssis du fauteuil roulant indique la position des sangles de retenue du fauteuil roulant. Les sangles sont ensuite tendues après que les sangles avant ont été fixées pour sécuriser le fauteuil roulant.

Poids minimum de l'utilisateur:

Si l'utilisateur devant être transporté est un enfant pesant moins de 22 kg et si le véhicule utilisé compte moins de huit (8) passagers assis, il est recommandé d'utiliser un dispositif de retenue pour enfants conforme au règlement 44 de la CEE-ONU.

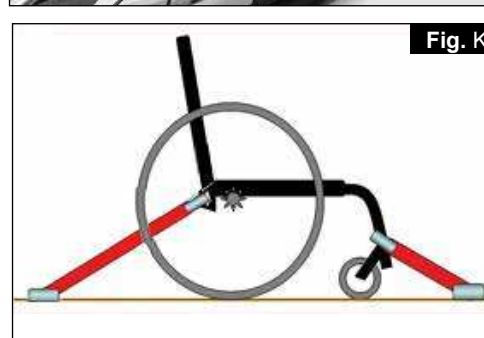
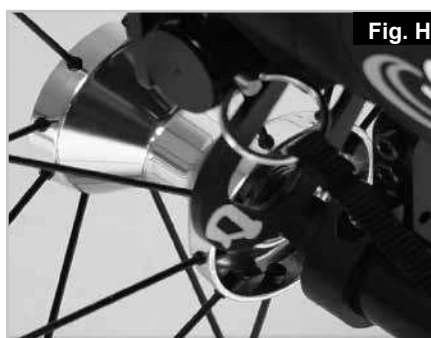
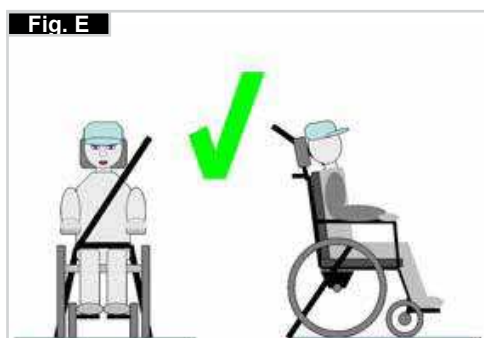
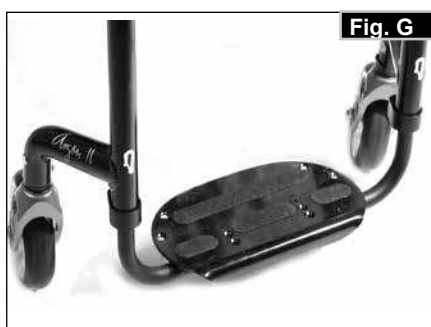
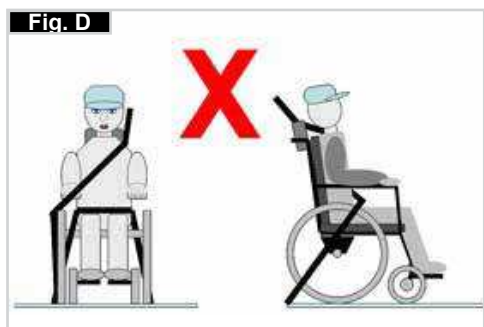
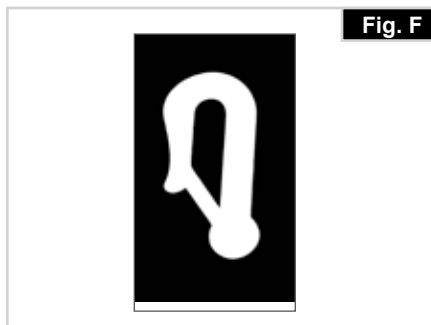
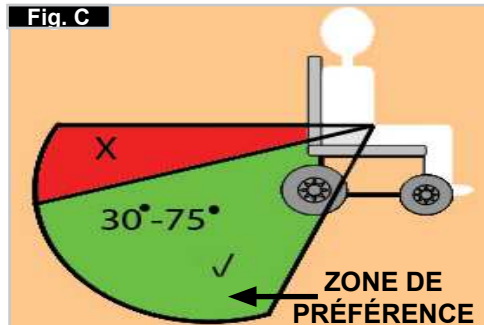
Ce type de dispositif de retenue est un moyen de retenue plus efficace que les dispositifs à trois points, et certains dispositifs de retenue pour enfants assurent également un support postural supplémentaire afin de maintenir la position de l'enfant lorsqu'il est assis.

Les parents ou toute autre personne s'occupant de l'enfant peut, selon le cas, décider de laisser l'enfant dans son fauteuil roulant pendant le transport en raison du niveau de contrôle de la posture ou du niveau de confort assuré par les réglages du fauteuil.

Dans ce cas, nous vous invitons à faire procéder à une évaluation des risques par le professionnel de santé qui vous suit ou par toute personne compétente dans ce domaine.

Positionnement du dispositif d'arrimage sur le fauteuil roulant :

1. Emplacement des étiquettes d'arrimage à l'avant et à l'arrière (Fig. G - H).
2. Emplacement du système d'arrimage et de l'étiquette d'arrimage à l'avant (Fig. I) et à l'arrière (Fig. J).
3. Vue latérale des sangles d'arrimage (Fig. K).



10.0 Plaque signalétique

Plaque signalétique

La plaque signalétique se trouve sur les tubes de traverse, ainsi que sur une étiquette dans le manuel d'utilisation. La plaque indique la dénomination exacte du modèle et fournit diverses informations techniques. Pour une commande de pièces de rechange ou une réclamation, indiquez SVP les informations suivantes :

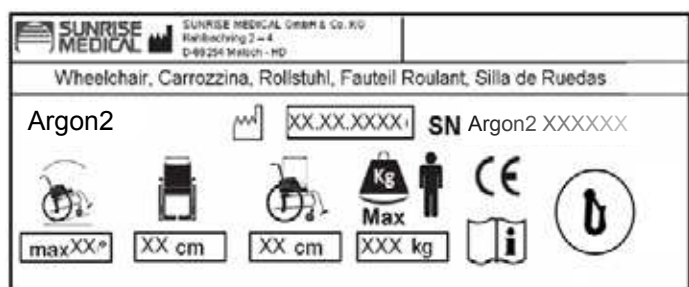
En raison de notre politique d'amélioration continue dans la conception de nos fauteuils roulants, les spécifications des produits peuvent légèrement différer des exemples illustrés dans le présent manuel. Toutes les valeurs relatives aux poids et aux dimensions et les données de performance sont approximatives et fournies à titre d'information uniquement.

Les fauteuils de Sunrise Medical sont fabriqués conformément à la directive 93/42/CEE relative aux dispositifs médicaux.

CE Tous les fauteuils roulants doivent être utilisés conformément aux instructions du fabricant.

Sunrise Medical GmbH & Co.KG
Kahlbachring 2-4
69254 Malsch/Heidelberg
Allemagne
Tél.: +49 (0) 7253/980-400
Fax : +49 (0) 7253/980-111
www.sunrisemedical.com

ECHANTILLON



Argon2
XXXXX-XXX

Désignation du produit/Numéro de SKU



Pente maximale pouvant être abordée par le fauteuil équipé de roulettes anti-bascule. Dépend de la configuration du fauteuil, de la posture et des capacités physiques de l'utilisateur.



Symbole du fabricant



Largeur du siège.



Profondeur maximale.



Charge maximale.



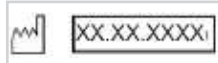
Marquage CE.



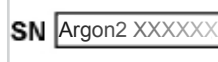
Manuel d'utilisation.



Essais de choc.



Date de fabrication.



Numéro de série.

11.0 Garantie

Garantie

CELA N'AFPECTE EN AUCUN CAS VOS DROITS LEGAUX.

Conditions de garantie

- 1) Tout travail de réparation ou de remplacement sera effectué par un revendeur agréé Sunrise Medical.
- 2) Pour tout travail de réparation devant être effectué sur votre fauteuil en vertu du contrat, veuillez contacter immédiatement le service après-vente agréé désigné par Sunrise Medical, en indiquant précisément le type de difficulté rencontré. Si vous vous trouvez dans une localité autre que celle du service après-vente Sunrise Medical désigné, le travail pourra, en vertu des conditions de garantie, être effectué par un autre service après-vente désigné par le fabricant.
- 3) Si l'une des pièces du fauteuil roulant nécessite une réparation ou un remplacement en raison d'un vice de fabrication ou de matériau, dans les 24 mois (5 ans pour le châssis et le renfort transversal) suivant la date à laquelle la propriété a été transférée à l'acheteur original et à condition que ce dernier en ait conservé la propriété, la ou les pièce(s) sera/seront réparée(s) ou remplacée(s) gratuitement par le service après-vente agréé.

REMARQUE : La garantie ne peut être cédée.

- 4) La garantie couvre également toutes les pièces réparées ou remplacées pour la période restante de la garantie du fauteuil.
- 5) Toute pièce détachée installée après le début de la garantie d'origine, est couverte une nouvelle garantie de 24 mois.
- 6) Les pièces consommables ne sont normalement pas garanties, à part dans le cas de l'usure prématurée d'une pièce due à une faute de fabrication. Il s'agit, en autres, des toiles, des pneus, des chambres à air et autres pièces similaires.
- 7) Les conditions de garantie susmentionnées s'appliquent à toutes les pièces des produits, pour les modèles achetés à plein tarif.
- 8) Normalement nous déclinons toute responsabilité si une réparation ou le remplacement d'une pièce s'avère nécessaire pour l'une des raisons suivantes :
 - a) Le produit n'a pas été entretenu ou révisé conformément aux recommandations du fabricant, telles qu'indiquées dans le manuel d'utilisation et/ou les notices d'entretien. Les accessoires utilisés ne sont pas des accessoires d'origine.
 - b) Le fauteuil roulant - ou l'une de ses pièces - a été endommagé suite à un mauvais entretien, à un accident ou à une utilisation inadéquate.
 - c) Des modifications ont été apportées au fauteuil - ou à l'une de ses pièces - lesquelles ne sont pas conformes aux spécifications du fabricant ou des réparations ont été effectuées avant d'en informer le service après-vente.

12.0 Caractéristiques techniques

Largeur totale : un carrossage de 3°: LS + 26 cm	Avec roues standard de 25 pouces, y compris la main courante avec
Poids maximum transporté :	Moins de 10 kg
Longueur totale :	91 cm avec largeur siège de 48
Hauteur totale :	112 cm avec hauteur du dossier de 45 cm
Poids en kg :	A partir de 9,0 kg
Charge maximum :	Argon2 = 140 kg = 125 kg avec la roue légère. = 100 kg avec roue Proton. = 100 kg avec support d'axe pour handbike.

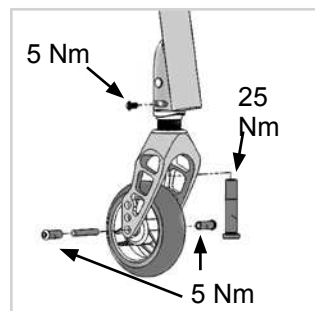
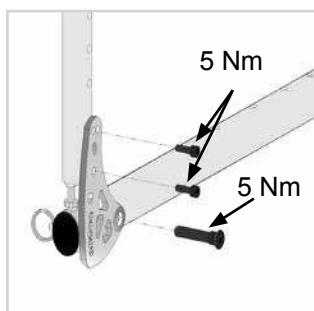
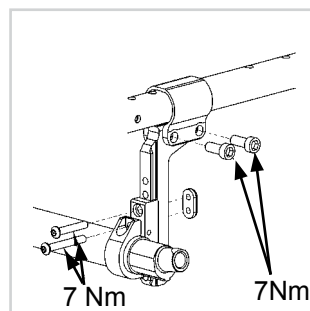
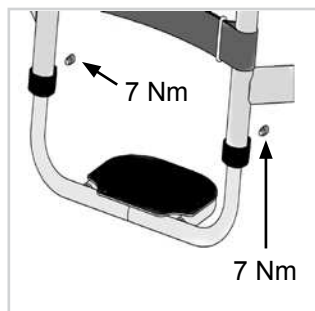
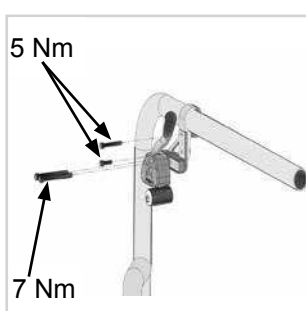
Hauteurs du siège :

Le châssis, la fourche, les roues avant et la taille des roues arrière (24", 25") déterminent la hauteur du siège.

Le fauteuil est conforme aux normes suivantes :

- | | |
|--|-------|
| a) Exigences et méthodes d'essai pour la résistance statique, la résistance aux chocs et la résistance à la fatigue (ISO 7176-8) | Oui • |
| b) Systèmes d'alimentation et de commande des fauteuils roulants électrique – exigences et méthodes d'essai (ISO 7176-14) | ND • |
| c) Essai climatique conformément à ISO 7176-9 | ND • |
| d) Exigences en matière de résistance à l'inflammation des parties rembourrées conformément à ISO 7176-16 (EN 1021-1/2) | Oui • |

13.0 Couple réel



Couple réel.

REMARQUE : lorsque des valeurs de serrage sont indiquées, il est fortement conseillé d'utiliser une clef torx (non fourni avec le dossier) afin de vérifier le couple de serrage.

En l'absence d'informations précises, le couple de serrage pour M6 est 7 Nm.

Inhoudsopgave	
Definities	50
Voorwoord	51
Gebruik	51
Toepassingen	51
1.0 Algemene veiligheidstips en rijbeperkingen	52
2.0 Gebruik	54
3.0 De rolstoel vervoeren	54
4.0 Opties	54
Trapdop	54
Wielvergrendeling (remmen)	55
Aanpassing van de as van de handbike	56
De hoogte van de voetenplaat instellen	57
Voetplaten	57
Stoel	58
Zithoogte	58
Voorwielen	58
Wielaanpassing	59
Rugleuning	59
Zijbescherming	60
Duwhandvatten	61
Anti-tip wielen	62
Krukkenhouder	63
Transitwielen	63
Heupgordel (voorste laterale ondersteuning)	63
5.0 Banden en montage	64
6.0 Algemeen onderhoud	64
7.0 Afvalverwerking / recycling van materialen	65
8.0 Mogelijke problemen	65
9.0 Transport	66
10.0 Sticker	68
11.0 Garantie	69
12.0 Technische gegevens	70
13.0 Koppel	70

Definities

3.1 Betekenis van woorden die in deze handleiding worden gebruikt

Woord	Definitie
 GEVAAR!	De gebruiker wordt geattendeerd op de kans op ernstig letsel of overlijden indien het advies niet wordt opgevolgd.
 WAARSCHUWING!	De gebruiker wordt geattendeerd op de kans op letsel indien het advies niet wordt opgevolgd.
 OPGELET!	De gebruiker wordt geattendeerd op de kans op schade aan de apparatuur indien het advies niet wordt opgevolgd.
OPMERKING:	Algemeen advies of beste gebruik
	Verwijzing naar aanvullende documentatie

OPMERKING:

De getoonde en beschreven rolstoelen in deze gebruikershandleiding kunnen op sommige punten van uw eigen model afwijken. Alle instructies zijn echter belangrijk, ongeacht de verschillen in detail. De fabrikant houdt zich het recht voor zonder opgaaf gegevens met betrekking tot gewicht, maten of andere technische gegevens zoals genoemd in deze handleiding, te wijzigen. Alle afbeeldingen, maten en mogelijkheden zoals getoond in deze handleiding zijn slechts indicatief en bevatten geen specificaties.

OPMERKING:

Noteer het adres en telefoonnummer van uw plaatselijke dealer in de daarvoor bestemde ruimte. Neem in het geval van storingen contact op met de dealer en probeer zoveel mogelijk relevante informatie te geven zodat men u snel kan helpen.

Stempel en handtekening dealer

Voorwoord

Beste klant,

Wij zijn erg blij dat u gekozen hebt voor een kwalitatief hoogstaand SUNRISE MEDICAL-product.

In deze gebruikshandleiding vindt u tal van tips en ideeën waarmee u van uw nieuwe rolstoel een betrouwbare partner in uw leven kunt maken.

Wij van Sunrise vinden het heel belangrijk om goede banden met onze klanten te onderhouden. Daarom willen wij u op de hoogte houden van de huidige en de nieuwe ontwikkelingen in ons bedrijf. Een goede band met onze klanten betekent ook: snelle service, uitstekende toegankelijkheid en nauwe samenwerking met onze klanten. Wanneer u vervangende onderdelen of accessoires nodig hebt, of een vraag over uw rolstoel hebt, staan wij voor u klaar.

Wij willen dat u tevreden bent over onze producten en diensten. Bij Sunrise werken we voortdurend aan verdere ontwikkeling van onze producten. Dat maakt dat de vorm, de technologie en de uitrusting van onze producten kan veranderen. Er zijn dan ook geen juridische vorderingen mogelijk op basis van de gegevens of de afbeeldingen in deze gebruikershandleiding.

Het managementsysteem van SUNRISE MEDICAL is gecertificeerd en voldoet aan de EN ISO 9001, ISO 13485 en ISO 1400 normen.



SUNRISE MEDICAL, als fabrikant, verklaart dat de lichtgewicht rolstoelen zijn geproduceerd conform de Europese richtlijnen 93/42/EEG / 2007/47/EEG.

Heeft u vragen over het gebruik, het onderhoud of de veiligheid van uw rolstoel, neem dan contact op met uw plaatselijke erkende dealer van SUNRISE MEDICAL.

Is er geen erkende dealer in uw regio of hebt u vragen, neem dan schriftelijk of telefonisch contact op met Sunrise Medical:



BELANGRIJK:
GEBRUIK UW ROLSTOEL NIET TOT U DEZE GEBRUIKSAANWIJZING HEEFT GELEZEN EN BEGREPEN.

Sunrise Medical B.V.
Groningehaven 18-20
3433 PE NIEUWEGEIN
The Netherlands
T: +31 (0)30 – 60 82 100
F: +31 (0)30 – 60 55 880
E: info@sunrisemedical.nl
www.SunriseMedical.nl

Gebruik

Rolstoelen zijn uitsluitend bedoeld voor gebruikers die niet of verminderd mobiel zijn. De rolstoel is bedoeld voor persoonlijk gebruik, zowel binnens- als buitenshuis.

De maximale belasting (het gewicht van de gebruiker en alle op de rolstoel gemonteerde accessoires) van de lichtgewicht rolstoelen staat vermeld bij het serienummer dat u aantreft op de asbuis onder de zitting.

Aansprakelijkheid wordt uitsluitend geaccepteerd indien het product wordt gebruikt onder die specifieke omstandigheden en voor het doel waarvoor het product is gemaakt.

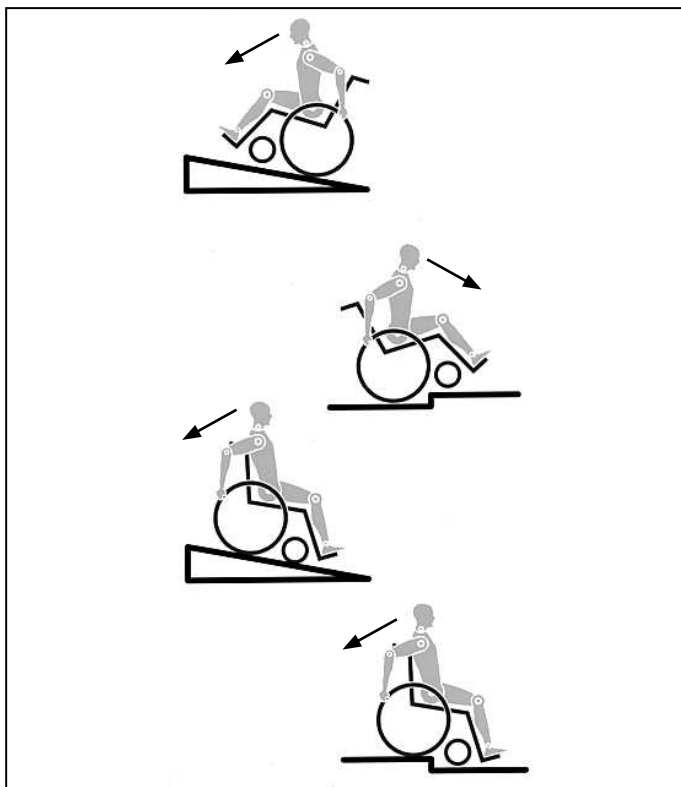
De verwachte levensduur van de rolstoel is vijf jaar. Monteer of gebruik GEEN onderdelen van andere partijen op de rolstoel, tenzij deze officieel goedgekeurd zijn door Sunrise Medical.

Toepassingen

De keuze aan beschikbare accessoires en het modulaire ontwerp betekenen dat de rolstoel kan worden gebruikt door personen die niet kunnen lopen of beperkt mobiel zijn vanwege:

- Verlamming
- Amputatie (van been of benen)
- Disfunctioneren of misvorming van been of benen
- Contractuur van/letsel aan gewrichten
- Ziektes zoals hart- en circulatieafwijkingen, evenwichtsstoringen of cachexie evenals voor oudere mensen die nog kracht in het bovenlichaam hebben.

Wanneer levering/aanschaf van een rolstoel wordt overwogen, neem dan de volgende zaken in overweging: lichaamsgrootte, gewicht, fysieke en psychische toestand, leeftijd, leefomstandigheden en -omgeving.



De techniek en constructie van deze rolstoel zijn ontworpen voor het bieden van maximale veiligheid. Aan de momenteel van kracht zijnde internationale veiligheidsnormen is voldaan en zij zijn overtroffen. Toch kunnen gebruikers zichzelf in gevaar brengen door onjuist gebruik van hun rolstoel. Voor uw eigen veiligheid moeten de volgende regels absoluut worden opgevolgd. Onprofessionele of foutieve aanpassingen of instellingen kunnen de kans op ongelukken vergroten. Als rolstoelgebruiker maakt u, net als andere weggebruikers, deel uit van het dagelijkse verkeer op straten en trottoirs. Wij herinneren u er aan dat u daardoor ook onderworpen bent aan alle verkeerswetgeving.

Wees voorzichtig tijdens uw eerste rit in deze rolstoel. Leer uw rolstoel kennen.

Voor elk gebruik, moet het volgende worden gecontroleerd:

- Quick release assen op de achterwielen
- Velcro op de zittingen en rugleuningen
- Banden, bandendruk en parkeerremmen.

Alvorens aanpassingen van deze rolstoel te wijzigen, is het belangrijk het bijbehorende deel van de gebruiksaanwijzing te lezen.

Het is mogelijk dat de rolstoel door kuilen of oneffen oppervlakken kan kantelen, in het bijzonder wanneer heuvel op of af wordt gereden. Wanneer over een trede of helling op wordt gereden, moet het lichaam naar voren zijn gebogen.

⚠ GEVAAR!

- Overschrijd **NOOIT** de maximale belasting van 140 kg (100 kg met handbike-as); dit gewicht geldt voor de gebruiker plus artikelen die worden meegenomen op de rolstoel. Als u de maximale belasting overschrijdt, kan dit leiden tot schade aan de stoel, of u kunt omvallen of omkantelen, de controle verliezen, wat ernstig letsel aan de gebruiker en andere personen tot gevolg kan hebben.

- Draag lichte of reflecterende kleding wanneer u in het donker naar buiten gaat. Zo wordt u gemakkelijker gezien. Zorg ervoor dat de reflectoren op de zij- en achterkant van de rolstoel duidelijk zichtbaar zijn. Sunrise adviseert tevens gebruik te maken van verlichting.
- Om vallen en gevaarlijke situaties te voorkomen, is het verstandig om eerst met uw nieuwe rolstoel te oefenen op een vlakke ondergrond, bij goed zicht.
- Gebruik de voetplaten niet als u in of uit de rolstoel stapt. Deze moeten van tevoren omhoog worden geklapt en zo ver mogelijk naar buiten worden gedraaid. Plaats uzelf altijd zo dicht mogelijk bij de plek waar u wilt gaan zitten.
- Gebruik uw rolstoel alleen voor het daarvoor bestemde doel. Bijvoorbeeld, probeer niet tegen een voorwerp op te rijden zonder te remmen (opstapje, trottoirrand) of verschillen in afstapjes.
- De parkeerremmen zijn niet bedoeld om als rem voor uw rolstoel te dienen. Zij dienen er slechts voor om te voorkomen dat uw rolstoel onbedoeld begint te rollen. Wanneer u op een oneffen oppervlak stopt, dient u altijd uw parkeerremmen te gebruiken om weggrollen te voorkomen. Gebruik altijd beide parkeerremmen anders kan uw rolstoel kantelen.
- Onderzoek het effect van het veranderen van het zwaartepunt op het gedrag van de rolstoel op bijvoorbeeld hellingen of wanneer u obstakels neemt. Doe dit met de hulp van een begeleider.
- Met extreme instellingen (bijv. achterwielen in de voorste positie) en minder dan perfecte houding, kan de rolstoel zelfs op een effen oppervlak omkantelen.
- Leun met uw bovenlichaam naar voren als u hellingen en opstapjes opgaat.
- Leun met uw bovenlichaam verder naar achteren, wanneer u van een helling of afstapje afgaat. Probeer nooit diagonaal een helling op of af te gaan.
- Gebruik nooit een roltrap, aangezien u hier vanaf kunt vallen wat ernstig letsel kan veroorzaken.
- Gebruik de rolstoel niet op hellingen steiler dan > 10°. De werking van de Dynamic beveiliging hangt af van de instellingen van de stoel, de capaciteiten van de gebruiker en de rijstijl. Omdat Sunrise Medical vooraf niet kan voorzien hoe de capaciteiten en rijstijl van de gebruiker is, kan de maximale veilig te nemen helling niet worden bepaald. Daarom moet dit door de gebruiker worden bepaald, samen met een begeleider, die kan voorkomen dat de rolstoel kantelt. Sunrise Medical adviseert onervaren gebruikers anti-tip wielen te laten installeren.
- Het is mogelijk dat de rolstoel door kuilen of oneffen oppervlakken kan kantelen, in het bijzonder wanneer heuvel op of af wordt gereden.
- Gebruik de rolstoel niet op modderige of bevroren (gladde) ondergrond. Daar waar voetgangers niet zijn toegestaan, mag u ook niet met de rolstoel rijden.
- Steek nooit uw handen tussen de spaken of tussen het achterwiel en wielvergrendeling terwijl u rijdt. Dit kan leiden tot letsel aan de handen.
- Met name bij het gebruik van lichtgewicht hoepels, worden vingers gemakkelijk warm bij het remmen op hoge snelheid of op steile hellingen.

- Gebruik geen trappen zonder de hulp van een begeleider. Er bestaan middelen om u te helpen, bijv. hellingen op te gaan of de lift te gebruiken. Wij raden u aan deze te gebruiken. Als deze niet beschikbaar zijn, dient de rolstoel naar achteren te worden gekanteld en over de treden te worden geduwd (2 helpers), maar mag nooit worden getild. Wij raden aan dat gebruikers die zwaarder dan 100 kg zijn deze manier om trappen te nemen, niet gebruiken.
 - Over het algemeen moeten anti-tip wielen vooraf zodanig worden ingesteld dat ze de treden niet kunnen raken, omdat dit tot een ernstige val zou kunnen leiden. Naderhand moeten de anti-tip wielen weer in de oude positie worden teruggebracht.
 - Zorg ervoor dat de begeleider de rolstoel alleen aan stevig bevestigde onderdelen vasthoudt (bijv. niet aan de voetsteunen of zijbescherming).
 - Wanneer u de rolstoellift gebruikt, dient u ervoor te zorgen dat de aangebrachte anti-tip wielen buiten de gevarezone zijn geplaatst.
 - Gebruik de remvergrendeling om de stoel vast te zetten wanneer u zich op ongelijke grond bevindt of wanneer de rolstoel bijvoorbeeld in een auto wordt geplaatst.
 - Wanneer gebruik wordt gemaakt van een speciaal voor gehandicaptenvervoer ingericht voertuig, dienen de personen die worden vervoerd, voor zover mogelijk, gebruik te maken van de stoelen van het voertuig en het juiste gordelsysteem. Alleen op deze wijze genieten de personen optimale bescherming indien een ongeluk plaatsvindt. Wanneer u de veiligheidselementen van SUNRISE MEDICAL en een speciaal ontwikkeld veiligheidssysteem gebruikt, kunnen lichtgewicht rolstoelen tijdens vervoer in een speciaal uitgerust voertuig als stoel worden gebruikt. (Zie het hoofdstuk over "Vervoer").
 - Afhankelijk van de diameter en instelling van de zwenkwielen evenals de instelling van het zwaartepunt van de rolstoel, kunnen de zwenkwielen op hoge snelheid beginnen te trillen. Hierdoor kunnen de zwenkwielen geblokkeerd raken en kan de rolstoel omkantelen. Zorg er daarom goed voor dat de zwenkwielen goed zijn aangepast (zie het hoofdstuk "Zwenkwielen"). Rijd met name niet op een helling zonder remmen en rijd op lage snelheid. We raden aan dat nieuwe gebruikers anti-tip gebruiken.
 - Met anti-tip kan de stoel niet onbedoeld achterover kantelen. Ze mogen in geen geval de transitwielen vervangen en gebruikt worden om een persoon in een rolstoel te vervoeren als de achterwielen zijn verwijderd.
 - Wanneer u naar voorwerpen (die zich voor, aan de zijkant of achter de rolstoel bevinden) reikt, zorg er dan voor dat u niet te ver uit de rolstoel leunt, want als u het zwaartepunt verandert, bestaat het gevaar dat u omkantelt of omver rolt. Als u extra belasting (rugzak of gelijksoortige voorwerpen) aan de buizen van de rugleuning hangt, kan dit van invloed zijn op de stabiliteit aan de achterkant van uw stoel, vooral in combinatie met rugleuningen die achterover kunnen leunen. Hierdoor kan de stoel naar achteren kantelen en letsel veroorzaken.
 - Gebruikers met een amputatie vanaf de dij, moeten anti-tip wielen gebruiken.
 - Controleer voor vertrek of de bandenspanning correct is. Voor de achterwielen moet de druk ten minste 3,5 bar (350 kPa). De maximale druk staat aangegeven op de band. De knie-remhendels functioneren alleen bij voldoende bandenspanning en wanneer ze correct zijn ingesteld (zie ook het hoofdstuk "Remmen").
 - Indien de zitting of rugbekleding van de rugleuning beschadigd zijn, dient u deze direct te vervangen.
 - Wees voorzichtig met vuur, en vooral met brandende sigaretten. De banden van de rugleuning en zitting kunnen vlam vatten.
 - Wanneer de rolstoel langdurig blootgesteld wordt aan direct zonlicht, kunnen sommige onderdelen (bijv. frame, beensteunen, remmen, zijbescherming) heet worden (>41°C).
 - Controleer altijd of de quick release assen op de achterwielen goed zijn ingesteld en vergrendeld. Wanneer de knop op de quick release as niet ingedrukt is, kan het achterwiel niet worden verwijderd.
- ⚠ WAARSCHUWING!**
- Het effect van de kniehevelrem evenals de algemene rijeigenschappen hangen af van de bandendruk. De rolstoel is aanzienlijk lichter en gemakkelijker te manoeuvreren wanneer de achterwielen op de juiste spanning zijn en beide dezelfde spanning hebben.
 - De banden van de rolstoel moeten voldoende profiel hebben! Let op dat u zich aan alle verkeerswetten moet houden wanneer u zich op de openbare weg begeeft.
 - Pas altijd goed op uw vingers wanneer u instellingen of onderdelen van de rolstoel wijzigt of aanpast.
 - De rolstoel mag uitsluitend worden afgesteld door mensen die hiervoor zijn opgeleid.
- ⚠ WAARSCHUWING!**
- VERSTIKKINGSGEVAAR** - In dit mobiliteitshulpmiddel zijn kleine onderdelen verwerkt die onder bepaalde omstandigheden een verstikkingsgevaar voor kleine kinderen kunnen vormen.
- Het kan zijn dat de getoonde en beschreven product in deze handleiding niet op elk detail precies hetzelfde als uw eigen model is. Alle instructies zijn echter belangrijk, ongeacht de verschillen in detail.
- De fabrikant houdt zich het recht voor zonder opgaaf gegevens met betrekking tot gewicht, maten of andere technische gegevens zoals genoemd in deze handleiding, te wijzigen. Alle afbeeldingen, maten en mogelijkheden zoals getoond in deze handleiding zijn slechts indicatief en bevatten geen specificaties.
- SUNRISE MEDICAL heeft het ISO 9001 certificaat toegekend gekregen, een bewijs van de kwaliteit van onze processen in elk stadium, vanaf het onderzoek en de ontwikkeling tot de productie. Dit product voldoet aan de normen uit de EU-richtlijnen. Optionele uitrusting en accessoires zijn te verkrijgen tegen bijbetaling.

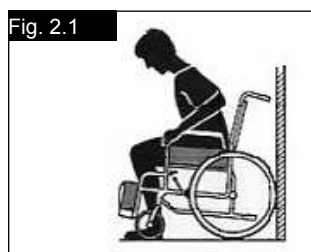
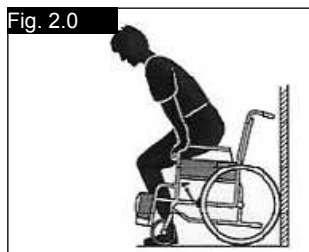
2.0 Gebruik

Zelf in uw rolstoel stappen

- Duw de rolstoel tegen een muur of een stevig meubelstuk;
- Zet de rem erop;
- De gebruiker kan zich in de rolstoel laten zakken;
- Plaats de voeten vervolgens voor de hielbanden (Fig. 2.0).

Zelf uit uw rolstoel stappen

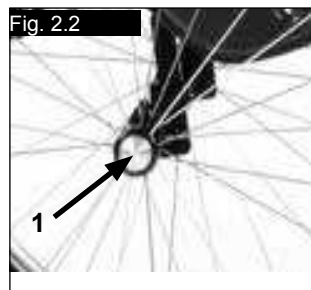
- Zet de rem erop;
- De persoon dient met een hand op het wiel of de zijbescherming enigszins naar voren te leunen om het lichaamsgewicht naar de voorrand van de stoel over te brengen, en zich dan rechtop te duwen met beide voeten stevig op de vloer en een voet achter de andere (Fig. 2.1).



Quick release assen op de achterwielen

De achterwielen zijn uitgerust met quick release assen. Zo kunt u de wielen zonder gereedschap monteren of verwijderen.

Om een wiel te verwijderen, drukt u gewoon de quick release knop op de as in (1) en trekt u het wiel weg (Fig. 2.2).



⚠️ OPGELET!

Houd de quick release as ingedrukt terwijl u de as in het frame steekt om de achterwielen te monteren. Laat de knop los om het wiel op zijn plaats te vergrendelen. De quick release knop zou weer op zijn oorspronkelijke plaats moeten klikken.

3.0 De rolstoel vervoeren

De rolstoel vervoeren

Door het verwijderen van de achterwielen blijft de rolstoel zo compact mogelijk. De rugleuning kan worden ingeklapt door aan het koord (1) op de rugleuning te trekken (zie afbeelding 3) (Fig. 3.0 - 3.1).



⚠️ OPGELET!

Zorg ervoor dat uw vingers niet beklemd raken bij het naar beneden vouwen van de rugleuning.

4.0 Opties

Trapdop

Trapdop

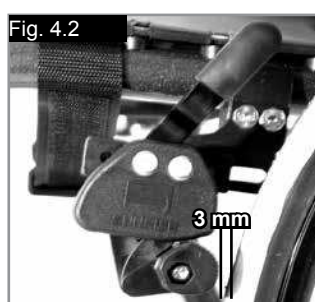
De trapdop kan door begeleiders worden gebruikt om de rolstoel over een obstakel te duwen. Trap gewoon op de buis om een rolstoel bijvoorbeeld over een stoep of een trede te duwen (Fig. 4.0).

⚠️ WAARSCHUWING!

Voor modellen waarbij de rolstoel voornamelijk zal worden voortgeduwd door een begeleider, adviseert Sunrise Medical het gebruik van een trapdop. Er kan schade ontstaan aan het rugframe wanneer u deze voortdurend gebruikt als hendel om de rolstoel naar achteren te trekken of zonder trapdop te kantelen.



Wielvergrendeling (remmen)



⚠OPGELET!

De effectiviteit van de remmen kan worden beïnvloed door:

- Onjuiste montage van de remmen.
- Onjuiste aanpassing van de reminstallatie.
- Onjuiste bandendruk.
- Versleten banden.
- de banden nat zijn;

Wielvergrendelingen

Uw rolstoel heeft twee wielvergrendelingen. Ze komen rechtstreeks op de banden terecht. Om de vergrendelingen te gebruiken, drukt u beide vergrendelingshendels naar voren tot tegen de aanslagen. Om de vergrendeling ongedaan te maken, trekt u de hendels weer naar hun oorspronkelijke positie.

De parkeerremmen zijn niet bedoeld om als rem voor een bewegende rolstoel te dienen. U mag de wielvergrendelingen dan ook niet gebruiken om een bewegende rolstoel te doen remmen. Rem altijd met behulp van de hoepels. Zorg ervoor dat de afstand tussen de banden en de wielvergrendelingen voldoet aan de vermelde specificaties. Om die afstand aan te passen, draait u schroef los en stelt u de juiste afstand in. Draai vervolgens de schroeven weer aan. (Fig. 4.1 en 4.2).

⚠OPGELET!

Telkens wanneer u de achterwielen hebt bijgesteld, moet u nagaan of de afstand tot de wielvergrendelingen in orde is. Pas die indien nodig aan.

Verlenging van de remhendel

Het gebruik van de langere hendel kost u minder moeite om de wielvergrendeling in werking te zetten. De langere remhendel is door schroeven verbonden aan de remmen. Door deze op te lichten, kan hij naar voren worden gekanteld (Fig. 4.3).

⚠OPGELET!

Wanneer u de wielvergrendeling te dicht bij het wiel monteert, zal deze moeilijker te hanteren zijn. Hierdoor kan de verlengde hendel breken!

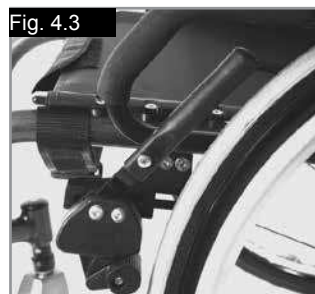
De hendel kan ook breken wanneer u op de verlenging gaat leunen tijdens transfers! Opspattend water en vuil van de banden kan slecht functioneren van de wielvergrendelingen veroorzaken.

⚠OPGELET!

Door verkeerde montage van de wielvergrendeling kan het meer moeite kosten om deze gebruiken. Hierdoor kan de verlengde hendel breken!

Compacte remmen

Compacte remmen bevinden zich onder de zitting en worden bediend door de remmen naar achteren te trekken, in de richting van de band. Om de remmen goed te laten werken, moet dit helemaal naar achteren getrokken worden, zo ver als mogelijk (Fig. 4.4).



Wielvergrendeling met eenarmige bediening

De wielvergrendeling met eenarmige bediening bevindt zich onder de zittingbespanning en wordt bediend via de remhendel die aan de linker- of rechterzijde is geplaatst. Door de hendel naar achteren te trekken, wordt de rem in werking gesteld. Om de remmen goed te laten werken, moet dit helemaal naar achteren getrokken worden, zo ver als mogelijk (Fig. 4.5)

Aanpassing

Om het remsysteem aan te passen, draait u de schroeven (1) los en monteert u de wielvergrendeling daar waar deze goed functioneert (Fig. 4.6).

⚠️ OPGELET!

Een onjuiste montage van de eenarmige wielvergrendeling kan leiden tot ernstig letsel bij de rolstoelgebruiker of andere mensen.



Aanpassing van de as van de handbike

As van de handbike

De as van de handbike moet in een schuine lijn achterwaarts aangepast worden ten opzichte van het zwaartepunt. Hierdoor kan de accessoire handbike veilig worden gebruikt, (Fig. 4.7).

⚠️ GEVAAR!

Het gebruik van een handbike zonder speciale as kan de rolstoel instabiel maken. Dit kan leiden tot ernstig letsel bij de rolstoelgebruiker of andere mensen.



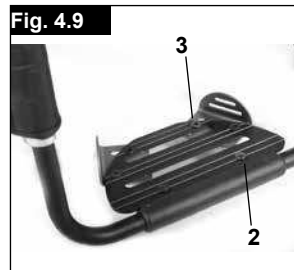
De hoogte van de voetenplaat instellen

Aanpassen van de voetsteun

WAARSCHUWING!

- **Begeleider: ga niet op de voetenplaat staan! Zelfs als de gebruiker in de stoel zit, bestaat het gevaar dat de stoel kantelt, wat tot letsel kan leiden.**
- **Gebruiker: ga niet op de voetenplaat staan bij het in- of uitstappen. Hierdoor kan de rolstoel kantelen, wat tot letsel kan leiden.**

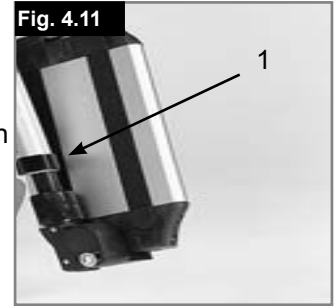
Door de schroef los te maken (1) kunt u de voetsteun aanpassen aan de lengte van uw onderbeen en de voetsteun weer opnieuw bevestigen. De hoek van de voetsteun kan afzonderlijk worden ingesteld door het losdraaien van de schroeven (2). De beugel aan de zijkant van de voetenplaat (3) voorkomt dat uw voeten per ongeluk van de plaat glijden. Controleer na aanpassingen altijd of alle schroeven correct zijn aangedraaid (zie ook de pagina betreffende draaikracht/torque) (Fig. 4.8 - 4.9)



Voetplaten

Voetplaten - Aluminium

Er zijn diverse voetsteunen verkrijgbaar. Deze kunnen omhoog worden geklapt waardoor het gemakkelijker is om in of uit de rolstoel te komen (Fig. 4.11).



Hoekinstelbare voetenplank

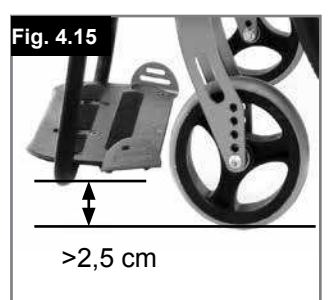
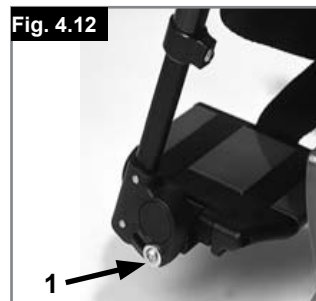
De voetenplaat kan worden opgeklapt om gemakkelijker in en uit uw rolstoel te komen, (Fig. 4.12 - 4.14). Deze kan worden aangepast om de hoek met de grond te wijzigen.

Draai de schroef (1) aan de buitenzijde aan. Door de klemmen (2) te verwijderen, kan de voetenplaat in drie verschillende posities worden versteld, zowel naar voren als naar achteren. Door de instellingsschroef (3) te verstellen, kan de voetenplaat naar een horizontale positie worden versteld. Hiervoor moet de voetenplaat omhoog worden geklapt. Controleer na aanpassingen altijd of alle schroeven correct zijn aangedraaid (zie ook de pagina betreffende draaikracht/torque). Zorg ervoor dat u de minimale ruimte ten opzichte van de grond houdt (2,5 cm) (Fig. 4.15).

Voetsteun - Plastic

Voetenplaten:

De voetenplaten kunnen worden opgeklapt om makkelijker in en uit uw rolstoel te komen.



Stoel

Zittingbespanning

Verwijder de schroeven aan de linkerkant van de bespanning. Pas het VELCRO®-materiaal aan om de spanning van de zittingbespanning te vergroten. Draai de schroeven weer aan.

Als het moeilijk is de schroeven weer op hun plaats te krijgen, probeer dan de gaten met een scherp voorwerp te vinden. Verzeker u ervan dat de plastic basis in de correcte positie staat voordat de schroeven weer worden aangedraaid (Fig. 4.16).

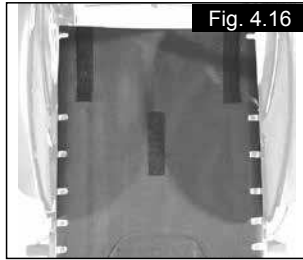


Fig. 4.16

Zithoogte

Aanpassen van de zithoogte (Fig. 4.17)

Om de hoogte van de achterzijde van de zitting aan te passen, maakt u de 4 schroeven (1) (2 aan iedere kant) waarmee de klem (2) vast zit, los en verwijdert ze. Zet de 2 klemmen op de gewenste hoogte en plaats de 4 schroeven terug. Voordat u de schroeven weer aandraait, moet u de instructies opvolgen om de in/uit spoor naar nul te zetten (zie Fig. 4.19 - 4.20). Draai de schroeven tot 7 Nm aan.

OPMERKING: Er kan een aanpassing aan de zwenkwielhoek noodzakelijk zijn wanneer de hoogte van de achterzitting wordt ingesteld.

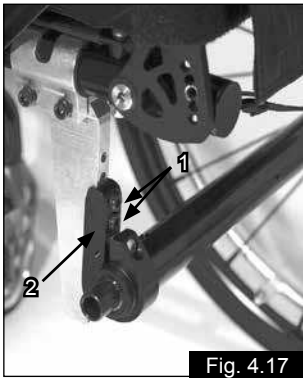


Fig. 4.17

Voorwielen

Zwenkwiel, aanpassing zwenkwiel, zwenkwielvork

Het kan gebeuren dat de rolstoel iets afwijkt naar links of naar rechts of dat de voorwielen wiebelen. Dat kan door de volgende zaken komen:

- De voorwaartse of achterwaartse wielbeweging is niet goed ingesteld.
- De camber is niet goed afgesteld.
- De luchtdruk van het voorwiel en/of van het achterwiel is niet goed; de wielen draaien niet soepel genoeg.

Als de voorwielen niet goed afgesteld zijn, zal de rolstoel niet in een rechte lijn rijden.

U moet de voorwielen laten afstellen door een erkend dealer. Telkens wanneer u de positie van het achterwiel hebt laten veranderen, moet u het balhoofd opnieuw aanpassen en de wielvergrendelingen controleren.

Het zwenkwiel instellen

Om ervoor te zorgen dat beide vorken parallel worden ingesteld, moet u de tanden tellen die aan beide kanten zichtbaar zijn. Nadat u de zwenkwielvork heeft ingesteld, zorgen de tanden voor een stevige positie, en kan een aanpassing van 16° met stappen van 2° worden aangebracht. Gebruik de vlakke zijde aan de voorkant van de zwenkwielvork om te controleren dat de positie een rechte hoek met de grond vormt (Fig. 4.19). Met het gepatenteerde ontwerp kan de zwenkwielvork zodanig worden gedraaid, dat het op een rechte hoek met de grond ingesteld kan worden wanneer de zittinghoek is aangepast.

De voorwaartse stabiliteit instellen

Maak de inbuschroeven (1) aan de onderkant van de vork los. Hierna kunt u de schroef losmaken (2). Nu kunt u de fitting naar links of rechts draaien (3). Links - de stoel trekt naar links. Rechts - de stoel trekt naar rechts. Draai vervolgens de schroeven weer aan (2). Zet de wielvork in een hoek van 90° ten opzichte van de vloer. Draai vervolgens de schroeven weer aan (1). (Fig. 4.20).

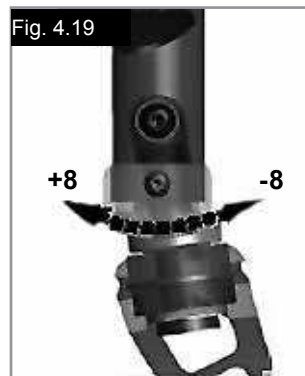


Fig. 4.19

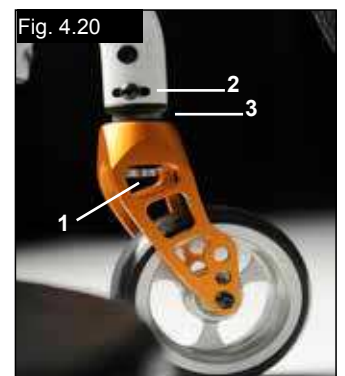


Fig. 4.20

Wielaanpassing

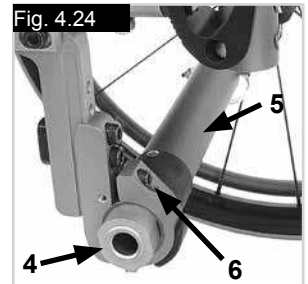
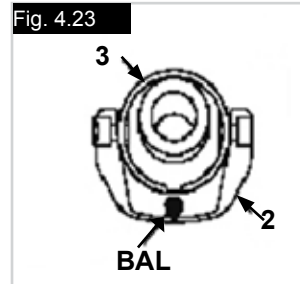
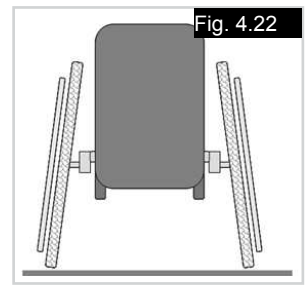
Het toepassen van wielaanpassing

Belangrijk: om de best mogelijke beweging te krijgen, moeten de achterwielen ingesteld worden op hun optimale positie. Daarom dienen de wielen correct uitgelijnd te zijn.

Hiermee meet u de afstand tussen de beide voorwielen en achterwielen om te verzekeren dat ze parallel aan elkaar staan.

Het verschil tussen beide metingen mag niet meer dan 5 mm bedragen.

Om de wielen aan te passen zodat ze parallel staan, draait u de schroeven los en draait u de asbus naar wens. Controleer na aanpassingen altijd of alle schroeven correct zijn aangedraaid (zie ook de pagina betreffende draaikracht/torque).



Spoorinstelling Argon2

De inspoor/uitspoor op nul instellen

LET OP: een rolstoel met 0° cambercilinders kan geen in- of uitspoor hebben. Deze instelling is alleen noodzakelijk bij 3°, 6° en 9° cambercilinders.

De term “inspoor of uitspoor” geeft aan hoe goed de achterwielen van de rolstoel op één lijn staan met de grond. Dit bepaalt hoe goed de rolstoel rijdt. Wanneer de inspoor is ingesteld op nul, is er sprake van normale weerstand of rolweerstand.

Om de in/uitspoor op nul te zetten draait u de inbusschroeven (1) (een aan elke zijde). Controleer de kogel in het horizontale (2) vlak en draai de asbuis (3) tot de kogel in het midden ligt. De inspoor is nu nul. Controleer, voordat u de schroeven (1) aandraait, of de asbuis is gecentreerd. De ruimte aan beide kanten moet gelijk zijn, of er mag totaal geen ruimte zijn. Draai de schroeven tot 7 Nm aan. (Fig. 4.21 - 4.23).

Breedte wielbasis instellen:

De achterwielbasis wordt gedefinieerd als de afstand tussen de bovenkant van de achterwielen en de buizen van de rugleuning wordt weergegeven door de fabrieksinstelling (1.25 cm). Deze afstand moet worden vergroot indien een grotere ruimte gecreëerd moet worden tussen de banden en de optionele in hoogte verstelbare armsteunen (Fig. 4.24).

LET OP: Wanneer de achterwielbasis wordt ingesteld, pas dan eerst één wiel en daarna het tweede aan. Als beide kanten tegelijkertijd worden losgedraaid, wordt de aanpassing van de inspoor/uitspoor veranderd. Voor het aanpassen van de achterwielbasis, bewegen de delen van de camber (4) telescopisch in of uit de asbuis (5) en worden op hun plaats bevestigd wanneer zij het eind bereiken. Draai de schroef (6) (die het dichtst bij de asbuis is bevestigd) aan de linkerkant van de rolstoel los. Beweeg de camberbuis naar binnen of buiten om de gewenste wielbasis te verkrijgen. Draai de schroeven tot 7 Nm aan. Herhaal dit proces aan de rechterkant van de rolstoel en pas de ruimte aan zodat deze gelijk is aan de ruimte aan de linkerkant.

Rugleuning

Rugleuning met verstelbare hoek

De hoek van de rugleuning wordt aangepast door het veranderen van de positie van de pen in de rugleuningmontage. De pen (1) moet volledig op zijn plaats worden geklikt in het gatpatroon aan beide zijden. Dit geeft u een aanpassingshoek van 8.5°. Druk de rode plastic pen in de ongebruikte gaten. Om een kleinere hoekverstelling (3.5°) te krijgen, opent u de Allenschroef (2) en plaatst de schroef in het tweede gat. Gebruik het juiste aandraaimoment (zie matrix) om de schroef aan te draaien (2). Dit geeft u 12° verandering in de rughoek. Beweeg de pen (1) vervolgens in de tegenovergestelde richting naar het volgende gat, waarmee u 12° - 8° = 3.5° verandering krijgt. (Fig. 4.25)

Om de speling in de rugleuning te verminderen, kan de moer (1) worden losgedraaid, waarna de optimale positie met de instellingsschroef kan worden ingesteld (2). Draai daarna de moer (1) weer aan. (Fig. 4.26).

⚠OPGELET!

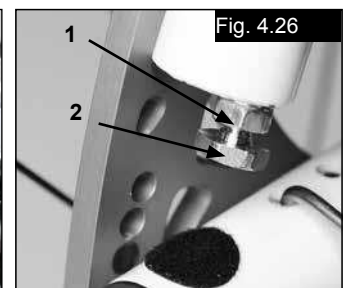
De schroeven moeten vast aangedraaid worden, anders gaat de gewijzigde instelling verloren.

Opvouwbare rugleuning

Maak de rugleuning los door aan het koord te trekken. De rugleuning gelijktijdig naar voren te duwen om hem op te vouwen. Om de rugleuning in zijn oorspronkelijke positie terug te brengen, trekt u hem zo ver mogelijk naar achteren, totdat hij aan beide zijden vergrendeld wordt.

⚠OPGELET!

Zorg ervoor dat uw vingers niet beklemd raken bij het naar beneden vouwen van de rugleuning.



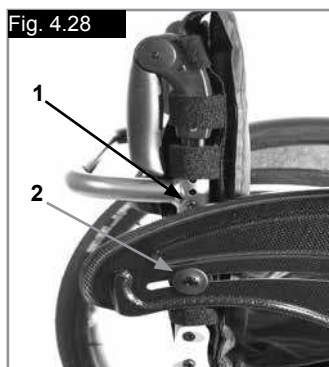
Instelbare spanning rugleuning

De spanning van de rugleuning kan worden ingesteld met gebruik van diverse banden.

De bekleding van de rugleuning kan via een opening aan de binnenzijde worden bereikt en aangepast aan individuele voorkeur, (Fig. 4.27).

Hoogteverstelbare rugleuning

De hoogte van de rugleuning kan in stappen van 2,5 cm worden versteld naar verschillende hoogtes. De aanpassingsmogelijkheden variëren van 25- 30 cm, 30-35 cm, 35- 40 cm en 40- 45 cm. Draai de moer (1 en 2) los, verwijder hem en plaats de rugstang in de gewenste positie. Draai de schroef weer vast. (zie de pagina over torque sleutel). (Fig. 4.28).



Zijbescherming

In hoogte verstelbare armleuningen, met een stang bevestigd (Fig. 4.29 - 4.32).

1. Montage

- a. Laat de buitenste stang van de armleuning in de houder glijden die aan het frame van de rolstoel is gemonteerd.
- b. De armleuning klemt automatisch vast.

2. Aanpassing hoogte

- a. Draai de ontgrendelingshendel (2) tot een tweede stop.
- b. Plaats het kussen van de armleuning naar wens hoger of lager.
- c. Zet de ontgrendelingshendel terug in de vergrendelde positie tegen de stang van de armleuning.
- d. Duw het armkussen (4) totdat de buis van de bovenste armsteun stevig op zijn plaats wordt vergrendeld.

3. Verwijderen van de armleuning

- a. Trek aan hendel 3 en til de hele armleuning op.

4. Vervangen van de armleuning

- a. Laat de armleuning terugglijden in de houder, totdat de leuning op zijn plaats klikt.

Bevestiging houder en armleuning

(Fig. 4.29 - 4.32).

Aanpassen van houder voor armleuning

Om de buitenste armleuning in de houder strakker of losser te stellen:

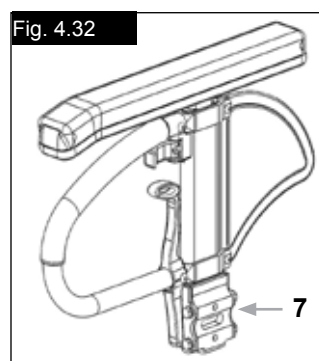
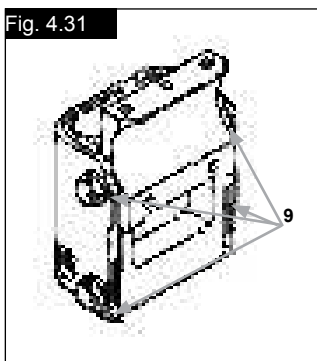
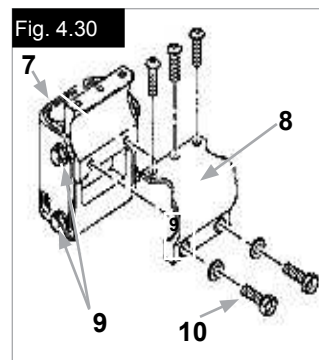
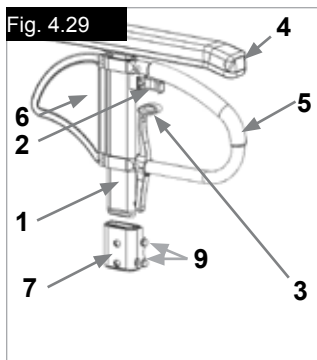
1. Draait u de vier stelbouten (9) aan beide zijden van de houder los.
2. Met de armleuning in de houder (7), klemt u de houder vast, totdat deze zo vast zit als u wilt.
3. Draai de vier bouten (9) aan. (144 in-lbs, 16,3 Nm)

Instelling positie

1. Draai de twee klembouten (10) los, totdat de klem los is.
2. Laat de houder van de armleuning in de gewenste positie glijden.
3. Vastdraaien.

Fig. 4.29 - 4.30 Legenda Onderdelen

1. Buitenste armleuning
2. Ontgrendelingshendel
3. Ontkoppelingshendel
4. Kussen armleuning
5. Overstapstang
6. Zijpaneel
7. Houder
8. Klem
9. Stelbouten houder
10. Klembouten



In hoogte verstelbare armleuning

Bevestiging: laat de stang van de armleuning in de houder op het rolstoelframe glijden tot hij niet verder kan.

Aanpassing hoogte:

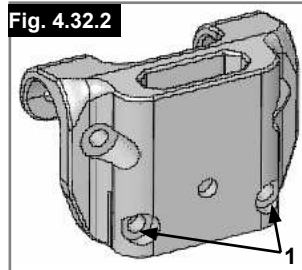
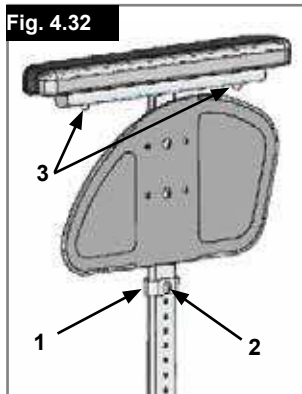
Trek de stang van de armsteun uit de houder. Stel de positie van de beugel (1) door de schroef (2) te verwijderen, waarna u de beugel in de gewenste positie kunt zetten. Plaats de schroef terug en draai deze weer aan. Laat de stang van de armsteun weer in de houder glijden, (Fig. 4.32.1).

Positie kussen armleuning:

De armleuning (het kussen) kan worden aangepast door de schroeven (3) los te maken, en de armleuning in de gewenste positie te plaatsen. Draai vervolgens de schroeven weer aan. (Fig. 4.32.1).

Aanpassing armsteunhouder:

Door middel van de twee schroeven (1) kan de armsteunhouder strakker of losser worden vastgezet (Fig. 4.32.2).

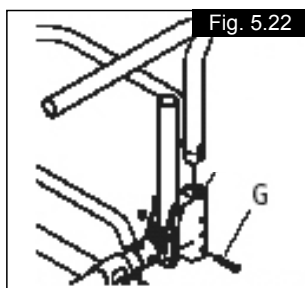


Armsteun, in hoogte instelbaar (met gereedschap), wegklapbaar, afneembaar (Fig. 5.22).

Om het overbrengen van de gebruiker te vergemakkelijken, tilt u de armsteun iets omhoog en draait u deze weg. Of verwijder hem helemaal door de armsteun omhoog te tillen. De hoogte kan worden aangepast door de positie van schroef G.

WAARSCHUWING!

De zijkanten en de armsteunen zijn niet bedoeld om de rolstoel aan op te tillen of te dragen.



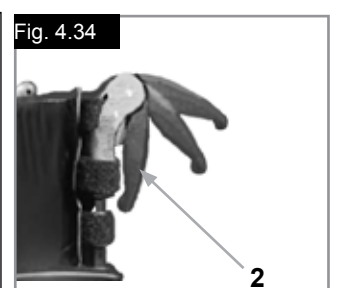
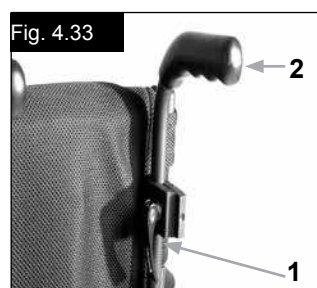
In de hoogte verstelbare duwhandvatten

Die duwhandvatten zijn in hun positie beveiligd door pinnen die voorkomen dat ze per ongeluk wegschuiven. Het openen van de quick release hendel (1) maakt het mogelijk de hoogte van de duwhendels aan te passen (2) aan uw individuele wensen. Wanneer u de hendel beweegt, zult u een vergrendelingsmechanisme horen; u kunt het duwhandvat nu makkelijk in de gewenste positie brengen. De moer bepaalt hoe stevig de duwhandvatten op hun plaats gehouden worden. Als de moer losgedraaid is, zal ook het duwhandvat te los zitten. Draai het duwhandvat naar beide kanten om u ervan te vergewissen dat hij stevig op zijn plaats zit. Nadat u de hoogte van het duwhandvat heeft ingesteld, moet u de fixatiehendel (1) altijd stevig op zijn plaats vastmaken. Als de fixatiehendel niet vergrendeld is, kan dit letsel veroorzaken bij het opgaan van een trap. (Fig. 4.33).

LET OP – Indien de in hoogte verstelbare duwhendels niet op de juiste wijze zijn aangebracht, kan er 'speling' ontstaan of kunnen ze zelfs uit positie raken. Controleer daarom zorgvuldig of de relevante schroeven op de juiste wijze zijn aangedraaid.

Neerklapbare duwhandvatten

Wanneer u de duwhandvatten niet gebruikt, kunt u die neerklappen door op de knop (2) te drukken. Zodra u ze opnieuw nodig hebt, klapt u ze weer naar boven tot ze op hun plaats klikken. (Fig. 4.34)



Anti-tip wielen

⚠️ WAARSCHUWING!

Sunrise Medical adviseert anti-tip wielen voor alle rolstoelen. Wanneer u de anti-tip wielen aanbrengt, gebruik een aanzetmoment van 7 Nm.

- 1. De anti-tip wielen in de klem schuiven:**
- Druk op de knop aan de achterkant van het anti-tip wiel op de veiligheidswieladapter, zodat beide ontsluitingspennen naar binnen worden getrokken.
 - Schuif de anti-tip wielen (1) in de anti-tip adapter.
 - Draai de veiligheidswielen naar beneden tot de ontsluitingspen in de klem is bevestigd.
 - Breng het tweede anti-tip wiel op dezelfde wijze aan.

2. De anti-tip wielen instellen

Om de juiste afstand van de grond van ongeveer 2,5 tot 5 cm te verkrijgen, moeten de veiligheidswielen omhoog of omlaag worden geschoven. Druk op de ontsluitingsknop van de anti-tip wielen, zodat beide ontsluitingspennen naar binnen worden getrokken. Beweeg de binnenbuis omhoog of omlaag om in de aangebrachte hoogtegaten te vallen. Laat de knop los. Breng het tweede anti-tip wielen op dezelfde wijze aan. De hoogte van beide wielen moet gelijk zijn. (Fig. 4.35).

⚠️ GEVAAR!

Sunrise Medical adviseert de anti-tip wielen te gebruiken: Indien geen anti-tip wielen zijn aangebracht, of indien deze niet correct zijn aangebracht, ontstaat het gevaar op kantelen en letsel.



Actieve Anti-tip/Inklapbaar

De actieve anti-tip is op de linker- of rechterzijde van de asbuis gemonteerd. Door de actieve anti-tip naar de asbuis te duwen, kan hij naar beneden worden geklapt waardoor hij in werking treedt (Fig. 4.36).

⚠️ WAARSCHUWING!

Controleer of de anti-tip in de uiteindelijke positie wordt vergrendeld. Een actieve anti-tip die niet is vergrendeld, kan leiden tot ernstig letsel bij de gebruiker.



Actieve Anti-tip voor sportieve doeleinden

Om de actieve anti-tip tijdens sporten te verwijderen, drukt u op de knop van de quick-release pin en trekt u deze eruit. Trek vervolgens de stang uit de houder van de anti-tip (4.37 - 4.38).



Krukkenhouder

Krukkenhouder (Fig. 4.39)

Hiermee kunt u krukken meenemen op de rolstoel. De krukkenhouder heeft een velcrolus waarmee u de krukken of andere hulpmiddelen kunt vastmaken.

⚠️ OPGELET!

Probeer de krukken of andere hulpmiddelen nooit al rijdend te verwijderen.



Transitwielen

Transitwielen (Fig. 4.40)

U kunt transitwielen gebruiken wanneer uw rolstoel met zijn gewone achterwielen te breed is (bijv. in vliegtuigen, bussen, enz.). Nadat u de achterwielen met behulp van de quick-release-assen hebt verwijderd, kunt u de transitwielen onmiddellijk gebruiken om te blijven rijden. De transitwielen zijn zodanig gemonteerd dat ze zich ongeveer 3 centimeter boven de grond bevinden wanneer u ze niet gebruikt. Ze zitten dus niet in de weg wanneer u rijdt, tijdens vervoer of wanneer u de rolstoel kantelt om over hindernissen te rijden (bijv. stoepranden, trappen, enz.).



⚠️ OPGELET:

Uw rolstoel heeft geen wielvergrendelingen wanneer u de transitwielen gebruikt.

OPMERKING: Wanneer de rolstoel met de transitwielen en veiligheidswielen moet worden uitgerust, moet de transitmontage worden aangebracht tussen de camberbuisklem en de montage van de veiligheidsbuisklem (niet getoond).

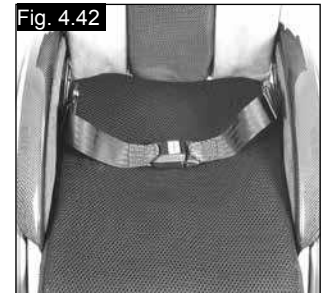
Heupgordel (voorste laterale ondersteuning)

⚠️ GEVAAR!

- Controleer alvorens de rolstoel te gebruiken of de heupgordel is vastgemaakt.
- De heupgordel moet dagelijks worden gecontroleerd op slijtage. Tevens moet worden gecontroleerd of de gordel nergens gehinderd wordt.
- Controleer voor gebruik altijd of de heupgordel op de juiste wijze is bevestigd en op maat is gemaakt. Als de gordel te los zit, kan de rolstoelgebruiker naar beneden glijden en bestaat het gevaar op verstikking of ernstig letsel.

De heupgordel dient aan de rolstoel bevestigd te zijn zoals getoond op de afbeeldingen. De gordel bestaat uit twee delen. Ze worden bevestigd d.m.v. de aanwezige schroef, die door het ringetje van de gordel wordt gestoken. De gordel wordt onder de achterzijde van het zijpaneel geleid. (Fig. 4.41)

Pas de gordel zodanig aan dat de sluiting zich in het midden van de stoel bevindt. (Fig. 4.42)



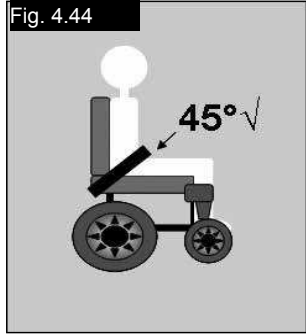
De heupgordel wordt als volgt aangepast aan de wensen van de gebruiker:

Om de lengte van de gordel te verkleinen	Om de lengte van de gordel te vergroten
<p>Haal vervolgens het niet-gebruikte deel van de gordel door de gesp en geleiders. Controleer of de gordel niet om de sluiting is gedraaid.</p>	<p>Om de gordel langer te maken, haalt u het niet-gebruikte deel van de gordel door de geleiders en gesp.</p>

Controleer na het vastmaken de ruimte tussen de gordel en de gebruiker. Als men een vlakke hand tussen de gordel en het lichaam van de gebruiker kan steken (niet meer en niet minder), is de gordel correct aangemeten. (Fig. 4.43 volgende bladzijde).

Heupgordel (voorste laterale ondersteuning)


De heupgordel moet zodanig bevestigd worden dat hij in een hoek van 45 graden over het bekken van de gebruiker valt. Bij het op maat maken dient de gebruiker rechtop en zo ver mogelijk naar achteren te zitten. De heupgordel moet voorkomen dat de gebruiker uit de rolstoel glijdt. (Fig. 4.44)



	
<p>Om de sluiting te sluiten: Steek de tanden van de gesp in de sluiting.</p>	<p>Om de sluiting los te maken: Druk op de zichtbare delen van de tanden van de gesp en duw deze naar binnen, terwijl u tegelijkertijd de gesp rustig uit elkaar trekt.</p>

WAARSCHUWING!

- Indien u vragen of twijfels heeft over het gebruik en de wijze van gebruik van de heupgordel, vraag dan advies aan uw medische begeleider, rolstoeldealer, verzorger of begeleider .
- De heupgordel mag uitsluitend worden gemonteerd door een door Sunrise Medical erkende dealer/verkoper .
- De heupgordel mag uitsluitend op maat worden gemaakt door een professionele zorgverlener of een door Sunrise Medical erkende dealer/verkoper.
- Controleer de gordel dagelijks op slijtage of de gordel goed op maat is en of hij nergens op vastloopt of geklemd wordt.
- Sunrise Medical raadt ten zeerste af om tijdens het transport van een persoon in een voertuig deze heupgordel als veiligheidsgordel te gebruiken .

 Zie ook de speciale brochure van Sunrise Medical over transport.

Onderhoud:

Controleer de gordel en de bevestigingsmaterialen geregeld op slijtage of beschadiging. Vervang de gordel indien noodzakelijk.

WAARSCHUWING

De heupgordel dient aangepast te worden aan de uiteindelijke gebruiker zoals hierboven omschreven. Sunrise Medical adviseert de lengte en bevestiging van de gordel regelmatig te controleren om te voorkomen dat de gordel onbedoeld te lang wordt.

5.0 Banden en montage

Standaard wordt de rolstoel met massieve rubberbanden geleverd. Wanneer de rolstoel is voorzien van luchtbanden, controleer dan regelmatig of de banden op de juiste spanning zijn. Een onjuiste bandenspanning kan de prestaties van de rolstoel beïnvloeden. Als er niet genoeg druk op de banden staat, zal de rolweerstand toenemen waardoor u een grotere inspanning moet leveren om de rolstoel voort te bewegen; bovendien maakt een lage bandendruk de rolstoel minder wendbaar. Als de bandendruk te groot is, kan de band springen. De juiste druk voor een bepaalde band staat vermeld op het oppervlak van de band zelf.

De banden zijn op dezelfde manier op de velg aan te brengen als gewone fietsbanden. Alvorens u een nieuwe binnenband oplegt, moet u altijd controleren of er zich geen vreemde voorwerpen bevinden op de basis van de velg en de binnenzijde van de band. Controleer de druk nadat u een band opgelegd of hersteld hebt. Het is voor uw veiligheid en voor de goede werking van uw rolstoel van erg groot belang dat de voorgeschreven luchtdruk altijd gehandhaafd blijft en dat de banden in goede conditie zijn.

6.0 Algemeen onderhoud

- Controleer de bandendruk om de 4 weken. Controleer alle banden op slijtage en beschadiging.
- Controleer de remmen ongeveer om de 4 weken om na te gaan of ze nog goed werken en makkelijk te bedienen zijn.
- Verander de banden zoals u dat bij een gewone fiets zou doen.
- Alle verbindingen die van essentieel belang zijn voor het veilige gebruik van uw rolstoel zijn zelfvergrendelend. Controleer om de 3 maanden of alle bouten stevig vast zitten (zie hoofdstuk over de koppelsleutel). U mag borgmoeren maar één keer monteren en u moet ze vervangen na een bepaalde gebruikperiode.
- Gebruik alleen zachte (niet agressieve) schoonmaakproducten om uw rolstoel schoon te maken. U mag de bekleding van de zitting alleen met water en zeep schoonmaken.

Algemeen onderhoud

- Als uw rolstoel nat wordt, moet u hem na gebruik afdrogen.
- Om de 8 weken ongeveer moet u een klein beetje naaimachine-olie op de quick-release-assen aanbrengen. Afhankelijk van hoe frequent u uw rolstoel gebruikt, raden we aan dat u om de 6 maanden met uw rolstoel naar uw dealer gaat waar gespecialiseerd personeel hem kan nakijken.

OPGELET!

Zand en zeewater (of zout in de winter) kan de rollagers van de voor- en achterwielen beschadigen. Maak de rolstoel grondig schoon nadat die aan zand en zeewater is blootgesteld.

De onderstaande onderdelen kunnen worden verwijderd en voor reparatie teruggezonden naar de fabrikant/dealer:

- Achterwielen
- Armsteun
- Voetsteunhouder
- Anti-tip wielen

Deze onderdelen zijn als reserveonderdelen beschikbaar. Meer informatie hierover vindt u in onze onderdelencatalogus.

Hygiënemaatregelen bij hergebruik:

Voordat de rolstoel door een nieuwe gebruiker in gebruik genomen wordt, moet de stoel zorgvuldig worden voorbereid. Alle oppervlaktes waarmee de gebruiker in aanraking komt, moeten behandeld worden met een desinfecterende spray.

Hiervoor heeft u een ontsmettingsmiddel van de DGHM-lijst nodig, bijv. Antifect Liquid (Schülke & Mayr) voor snelle ontsmetting op alcoholbasis voor medische producten en medische instrumenten, die snel moeten worden ontsmet.

Houd u aan de gebruiksaanwijzing van de fabrikant van het desinfecterende middel.

Over het algemeen kan op de naden van de rolstoel geen volledige ontsmetting worden gegarandeerd. Daarom wordt geadviseerd de zitting en rugleuning te vervangen om microbacteriële besmetting te voorkomen. (In overeenstemming met de Wet Medische hulpmiddelen).

7.0 Afvalverwerking / recycling van materialen

Indien u de rolstoel kosteloos hebt verkregen, is de rolstoel niet uw eigendom. Wanneer de rolstoel niet langer nodig is, volg dan de instructies van de organisatie op die de rolstoel beschikbaar heeft gesteld, hoe deze terug te sturen.

Hieronder staan de materialen omschreven zoals deze worden gebruikt in de rolstoel, met betrekking tot de verwerking tot afval en recycling van de rolstoel en zijn verpakking.

Geldende specifieke wetgeving met betrekking tot afvalverwerking en recycling moet in acht worden genomen wanneer de rolstoel het einde van zijn levensduur heeft bereikt. (Mogelijk moet de rolstoel gereinigd of gedesinfecteerd worden alvorens deze naar de afvalverwerking wordt gebracht.)

Aluminium: zwenkwielvork, wielen, zijkanten van het chassis, frame armleuning, voetplaat, duwhendels

Staal: bevestigingspunten, quick release assen

Plastic: hendels, buisstoppen, zwenkwielen, voetplaten, armkussens, en 12" wiel/band

Verpakking: plastic zakken gemaakt van zacht polyethyleen, karton

Bekleding: Geweven polyester met PVC coating en geëxpandeerd gevormd schuim.

Afvalverwerking of recycling dient uitgevoerd te worden door een afvalverwerkingsbedrijf of op een plaatselijk afvaldepot. U kunt uw rolstoel ook terug brengen naar uw dealer voor afvalverwerking.



8.0 Mogelijke problemen

Rolstoel trekt naar één kant:

- Controleer bandendruk
- Controleer of het wiel vlot draait (lagers, as)
- Controleer hoeken van zwenkwielen.
- Controleer of beide voorwielen de grond goed raken.

Voorwielen beginnen te wiebelen

- Controleer hoeken van zwenkwielen.
- Controleer of alle bouten vast zitten; draai ze indien nodig vast (zie hoofdstuk over de koppelsleutel)
- Controleer of beide voorwielen de grond goed raken.

Rolstoel/kruisframe klikt niet op haar plaats in het zittingszadel.

- Rolstoel is nog nieuw, d.w.z. dat de zitting of de rugbekleding nog heel stijf is. Dat wordt beter naarmate de stoel meer gebruikt wordt.

Het is moeilijk om de rolstoel in te klappen

- Verstelbare rugbekleding is te stijf. Maak de losser tot het wel lukt.

Rolstoel piept en rammelt

- Controleer of alle bouten vast zitten; draai ze indien nodig vast (zie hoofdstuk over de koppelsleutel)
- Breng een beetje smeerolie aan op plaatsen waar beweegbare delen met elkaar in contact komen

Rolstoel begint te wiebelen

- Controleer hoek waarin voorwielen ingesteld zijn
- Controleer bandendruk
- Controleer of achterwielen verschillend ingesteld zijn

9.0 Transport

⚠ GEVAAR!

Indien dit advies wordt genegeerd ontstaat het risico op ernstig letsel of overlijden.

Het vervoer van uw rolstoel in een voertuig:

Een in een voertuig vastgezette rolstoel biedt niet dezelfde veiligheid als een normale stoel en veiligheidssysteem in dat voertuig. Sunrise adviseert altijd om de rolstoelgebruiker over te brengen naar een stoel van het voertuig. Sunrise Medical erkent dat het niet altijd praktisch is om een rolstoelgebruiker over te brengen naar een gewone stoel in het voertuig. Wanneer de gebruiker vervoerd moet worden in de rolstoel, moet onderstaand advies worden opgevolgd:

⚠ GEVAAR!

- Bevestig dat uw rolstoel geschikt is voor een crashtest (kijk op de naamplaat of crashtest-beugel aan de achterzijde van de stoel) (Fig. I).
- Controleer of het voertuig over de juiste hulpmiddelen beschikt om een passagier in een rolstoel te vervoeren. Controleer tevens of de methode om in en uit het voertuig te komen, geschikt zijn voor uw type rolstoel. De vloer van het voertuig moet sterk genoeg zijn om het totale gewicht van de rolstoelgebruiker, de rolstoel en de accessoires te dragen.
- Rondom de rolstoel dient voldoende ruimte te zijn om de spanbanden en veiligheidsgordels te bevestigen en de rolstoel goed en gemakkelijk vast te zetten en los te maken.
- De stoel met daarin de gebruiker moet in de rijrichting worden geplaatst. De rolstoel dient te worden vastgezet met spanbanden en voor de gebruiker dienen veiligheidsgordels gebruikt te worden, waarbij wordt voldaan aan de normen ISO 10542 of SAE J2249 en aan de WTORS instructies van de fabrikant.
- De rolstoel is niet getest in andere posities binnen een voertuig. De rolstoel met daarin de gebruiker mag nooit in zijwaartse richting worden vervoerd (Fig. A).
- De rolstoel moet worden vastgezet met een bevestigingssysteem dat voldoet aan ISO 10542 of SAE J2249, met niet-verstelbare banden aan de voorzijde en verstelbare banden aan de achterzijde, die worden bevestigd door middel van karabijnhaken/S-haken en gesp en gordel bevestigingen. De bevestigingen bestaan doorgaans uit vier aparte banden die vastgemaakt worden aan iedere hoek van de rolstoel.
- De verankeringsbanden moeten aan het frame van de rolstoel worden bevestigd zoals aangegeven in de tekening op de volgende pagina. Ze mogen niet worden bevestigd aan accessoires, wielen, remmen, voetsteunen en dergelijke.
- De verankeringsbanden dienen in een hoek van 45 graden zo dicht mogelijk bij de stoel bevestigd te worden; de banden moeten strak vastgezet worden in overeenstemming met de instructies van de fabrikant.
- De verankeringspunten, frame en structurele onderdelen van de rolstoel mogen niet zonder overleg met de fabrikant worden gewijzigd of vervangen. Dergelijke wijzigingen kunnen de rolstoel van Sunrise Medical ongeschikt maken voor transport in een voertuig.
- Zowel de heupgordel als de veiligheidsgordel voor het bovenlichaam moet worden gebruikt om de rolstoelgebruiker goed in de rolstoel te laten zitten. Hierdoor wordt het risico verkleind dat hoofd en borst in botsing komen met onderdelen van het voertuig. Tevens wordt risico verkleind dat de rolstoelgebruiker of de andere inzittenden van het voertuig geblesseerd raken. (Fig. B) De bovenlichaamgordel dient bevestigd te worden aan de "B" stang van het voertuig. Indien dit wordt nagelaten, wordt het risico van ernstig (onder) buikletsel van de gebruiker vergroot.
- Tijdens het transport dient men gebruik te maken van een hoofdsteun die geschikt is voor transport (zie etiket van de hoofdsteun). Deze moet gedurende het hele transport op de juiste wijze zijn aangebracht.
- Lichaamsondersteunende gordels (zoals heupgordels) mogen niet worden gebruikt als veiligheidsgordel voor een rolstoelgebruiker, tenzij deze voldoen aan de normen zoals gespecificeerd in ISO 7176-19:2001 of SAE J2249.
- De veiligheid van de rolstoelgebruiker tijdens het transport hangt af van de nauwkeurigheid waarmee de verankeringsbanden worden bevestigd. De persoon/ personen die de verankerung tot stand brengt/brengen, moet(en) op juiste wijze zijn geïnstrueerd en getraind.
- Verwijder waar mogelijk hulpmiddelen en accessoires en berg deze veilig op. Hierbij kunt u denken aan:
- Krukken, losse kussens en werkbladen.
- Een scharnierende/opgetilde beensteun mag zich niet in opgetilde positie bevinden tijdens transport van de rolstoel en gebruiker wanneer de rolstoel is verankerd met verankeringsbanden en veiligheidsgordels.
- Een gekantelde rugleuning moet in rechte positie worden gezet.
- De handremmen moeten goed worden vastgezet.
- Veiligheidsgordels moeten worden bevestigd aan de "B" stang van het voertuig en mogen niet van het lichaam afgehouden worden door bijvoorbeeld armsteunen of wielen.

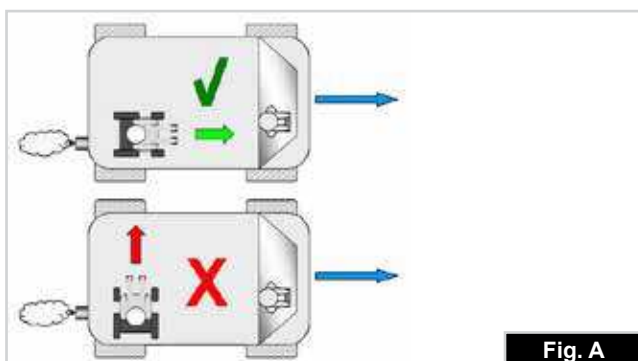


Fig. A



Fig. B

Instructies voor veiligheidsgordels:

1. De heupgordel moet laag worden bevestigd over de voorzijde van de heup, zodanig dat de hoek van de heupgordel zich binnen de horizontale voorkeurszone van 30 tot 75 graden bevindt. Hoe groter de hoek binnen deze begrenzing, hoe beter, maar de hoek mag nooit groter zijn dan 75 graden. (Fig. C)
2. De bovenlichaamsgordel moet over de schouder en diagonaal over de borst worden gedragen, zoals op de afbeelding weergegeven. Fig. D en E
De gordels moeten zo strak mogelijk worden gebruikt, maar moeten altijd comfortabel zijn voor de gebruiker
Veiligheidsnetten mogen niet gedraaid zitten tijdens gebruik.
De gordel voor het bovenlichaam moet dwars over de schouder worden bevestigd, zoals getoond in afbeeldingen D en E.
3. De bevestigingspunten van de stoel bevinden zich aan de binnenzijde aan de voorkant van het frame vlak boven het zwenkwiel en aan het frame aan de achterzijde. De banden worden rond het frame aan de zijkanten geplaatst waar de horizontale en verticale buizen van het frame elkaar kruisen. (Zie Fig. G-H-I)
4. Op het frame van de rolstoel wordt door middel van het symbool voor het verankeringspunt (Fig. F) aangegeven waar de verankeringsbanden geplaatst moeten worden. De banden worden strak getrokken nadat de banden aan de voorzijde zijn aangebracht om de rolstoel te borgen.

Minimaal gebruikersgewicht:

Wanneer de gebruiker die wordt vervoerd een kind is dat minder dan 22kg weegt, en het betrokken voertuig minder dan acht (8) inzittenden heeft, wordt het aanbevolen dat het kind wordt overgeplaatst naar een kinderzitje met veiligheidsgordels dat voldoet aan de UN-ECE R44 regelgeving.

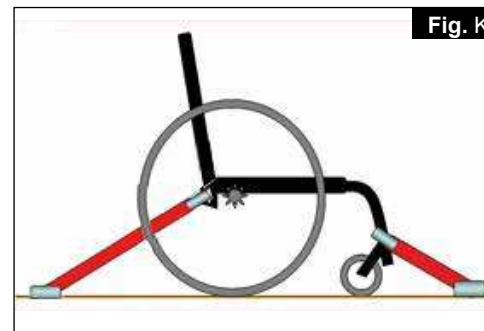
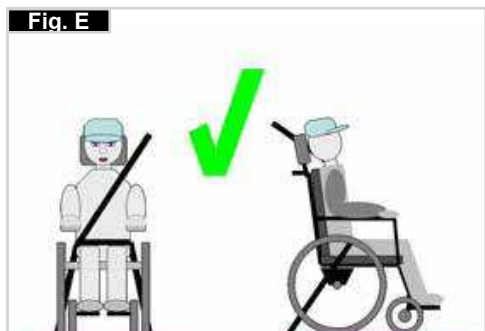
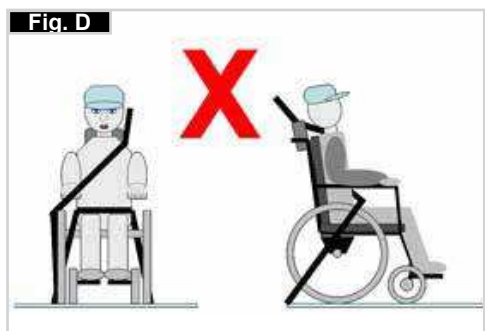
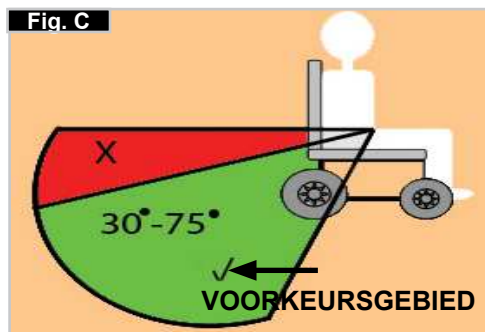
Dit type gordelsysteem biedt een doelmatiger gordelsysteem dan het conventionele 3-puntsgordelsysteem. Daarbij bieden sommige kinderzitjes ook extra ondersteunende elementen waardoor de houding van het kind wanneer het zit, beter wordt ondersteund.

In sommige omstandigheden kunnen de ouders of zorgverleners overwegen om het kind in de rolstoel te laten zitten tijdens transport, als de rolstoelinrichting het kind veel lichaamssteuning en comfort biedt.

In dergelijke omstandigheden adviseren we een risicobeoordeling te laten uitvoeren door uw medische deskundige of andere relevante personen die over de vereiste kennis beschikken.

De plaatsing van verankeringsbanden op de rolstoel.

1. De plaats van de afbeeldingen die aangeven waar aan de voor- en achterzijde de spanbanden geplaatst moeten worden (Fig. G - H).
2. Positie aan de voorzijde (Fig. I) en achterzijde, (Fig. J), van de sticker en het verankeringspunt.
3. Zijaanzicht van verankeringsbanden, (Fig. K).



10.0 Sticker

Sticker

De sticker bevindt zich of op het kruisframe, of op de dwarsstang van het frame. Ook vindt u een sticker met gegevens in de gebruikershandleiding. Op de sticker met het serienummer staat ook de precieze naam van het model en andere technische gegevens. Wanneer u vervangingsonderdelen bestelt of een schadeclaim indient, moet u de volgende gegevens vermelden:

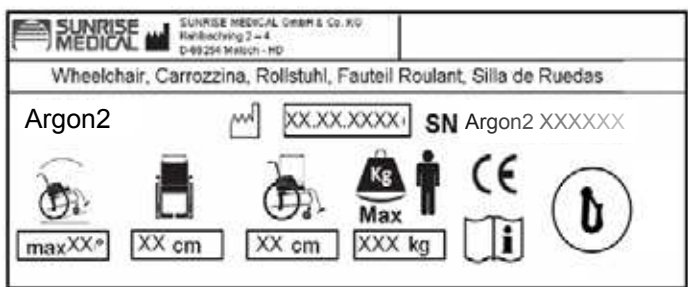
Ons beleid is erop gericht het ontwerp van onze rolstoelen voortdurend te verbeteren. Hierdoor kunnen productspecificaties enigszins afwijken van de getoonde voorbeelden. Alle gewichten, afmetingen en gegevens betreffende prestaties zijn bij benadering en dienen slechts als richtlijn.

Sunrise Medical voldoet aan de Europese Richtlijn betreffende Medische hulpmiddelen 93/42/EEC

CE Alle handbikes moeten worden gebruikt in overeenstemming met de gebruiksaanwijzing van de fabrikant.

Sunrise Medical GmbH & Co.KG
 Kahlbachring 2-4
 69254 Malsch/Heidelberg
 Duitsland
 Tel.: +49 (0) 7253/980-400
 Fax: +49 (0) 7253/980-111
 www.sunrisemedical.com

VOORBEELD



- Argon2
 XXXXX-XXX

Naam product, SKU nummer
- De maximale veiligheidsmarge bij hellingen met anti-tip wielen hangt onder andere af van de instellingen, postuur en fysieke capaciteiten van de gebruiker.
- Symbool fabrikant
- Breedte zitsysteem.
- Maximale diepte.
- Maximale belasting.
- CE-keurmerk.
- Gebruikershandleiding.
- Crashtest uitgevoerd.
- Productiedatum.
- Serienummer.

11.0 Garantie

Garantie

DIT HEEFT OP GEEN ENKELE WIJZE INVLOED OP UW WETTELIJKE RECHTEN.

Garantie bepalingen

- 1) De reparatie of vervanging wordt door een erkende Sunrise Medical dealer uitgevoerd.
- 2) Om te voldoen aan de garantie bepalingen van deze overeenkomst, neemt u direct contact op met een door Sunrise Medical aangewezen en erkende onderhoudsmonteur wanneer u technische hulp nodig hebt. Vermeld daarbij precies wat de problemen zijn. Indien u de rolstoel gebruikt buiten de regio van de aangewezen Sunrise Medical onderhoudsmonteur, wordt werk krachtens de "Garantievoorwaarden" uitgevoerd door een andere, door de fabriek aangewezen, onderhoudsmonteur.
- 3) Indien een onderdeel of onderdelen van de rolstoel gerepareerd of vervangen moet/moeten worden, als gevolg van een specifieke productiefout of materiaaldefect, binnen 24 maanden (5 jaar voor het frame en de kruisbalk) nadat het eigendom van de stoel overgedragen is aan de oorspronkelijke koper, en op voorwaarde dat deze persoon nog steeds de eigenaar is van de rolstoel, dan wordt het onderdeel of onderdelen kosteloos gerepareerd of vervangen indien de rolstoel wordt teruggebracht naar een erkende onderhoudsmonteur.

MERK OP: deze garantie kan niet worden overgedragen.

- 4) Deze garantie dekt eveneens alle gerepareerde of vervangen onderdelen voor de resterende garantieperiode van de rolstoel.
- 5) Wij geven een extra 24 maanden garantie voor reserveonderdelen die na de aanvang van de oorspronkelijke garantie zijn aangebracht.
- 6) Aan slijtage onderhevige onderdelen worden normaliter van de garantie uitgesloten, behalve in het geval dat voortijdige slijtage van het onderdeel het directe gevolg van een fabricagefout is. Tot verbruiksgoederen worden onder andere gerekend: bekleding, banden, interne buizen en dergelijke.
- 7) Bovenstaande garantievoorwaarden gelden voor alle productonderdelen, voor modellen die voor de volle handelsprijs gekocht zijn.
- 8) Normaliter wordt geen verantwoordelijkheid geaccepteerd indien een reparatie of vervanging van de rolstoel nodig is vanwege de onderstaande redenen:
 - a) Het product of onderdeel is niet onderhouden in overeenstemming met de aanbevelingen van de fabrikant, zoals uiteengezet in de gebruikershandleiding en/of de onderhoudsinstructies. Er zijn accessoires gebruikt die niet gespecificeerd zijn als originele onderdelen.
 - b) De rolstoel of het onderdeel is beschadigd door nalatigheid, ongeval of oneigenlijk gebruik.
 - c) Wijzigingen aan de rolstoel of onderdelen daarvan, die niet in overeenstemming zijn met de specificaties van de fabrikant, of het uitvoeren van reparaties alvorens contact werd opgenomen met de onderhoudsmonteur/dealer.

12.0 Technische gegevens

Totale breedte:	Met standaard 25" wielen, inclusief hoepels met 3° camber: ZB + 26 cm
Maximaal gewicht voor transport:	Minder dan 10 kg.
Totale lengte: 91 cm met ZD 48	
Totale hoogte:	112 cm met RH 45 cm
Gewicht in kg:	vanaf 9,0 kg
Maximum belasting:	Argon2 = 140 kg = 125 kg met lichtgewicht wiel. = 100 kg met Proton wiel. = 100 kg met handbike-as.

Stoelhoogtes:

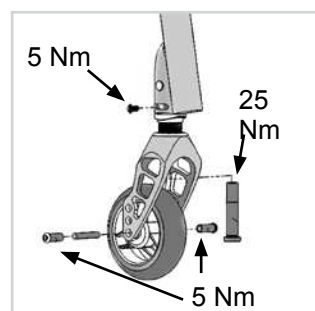
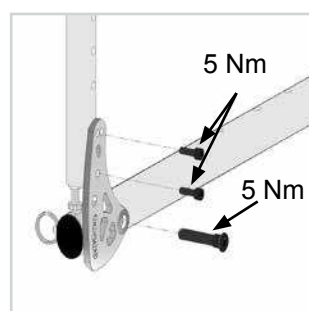
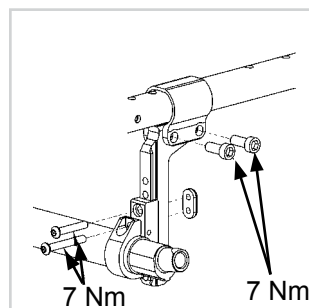
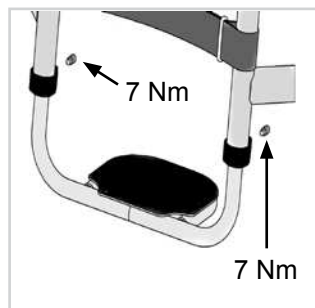
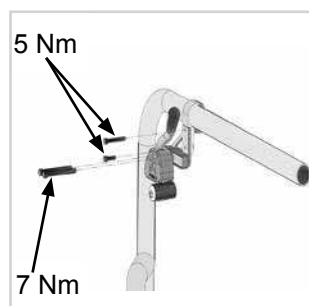
De keuze van frames, vorken en zwenkwielen, evenals de maat van het achterwiel (24", 25") bepaalt de beschikbare stoelhoogtes.

De rolstoel voldoet aan de volgende vereisten:

- Vereisten en tests voor statische kracht, botsweerstand en vermoeiingsweerstand (ISO 7176-8)
- Besturings- en controlesystemen voor elektrische rolstoelen, vereisten en test (ISO 7176-14)
- Milieutest overeenkomstig ISO 7176-9
- Brandwerendheid van beklede onderdelen overeenkomstig ISO 7176-16 (EN 1021-1/2)

Ja •
nvt. •
nvt. •
Ja •

13.0 Koppel



Koppel.

OPMERKING: Telkens wanneer de vereiste draaikracht (torque) is gespecificeerd, wordt het sterk aanbevolen om met behulp van een draaikrachtsmeter (niet meegeleverd) te controleren of de draaikracht is bereikt.

Als er geen andere informatie wordt gegeven, is de draaikracht voor M6 schroeven doorgaans 7 Nm.





Sunrise Medical GmbH & Co. KG
Kahlbachring 2-4
69254 Malsch/Heidelberg
Deutschland
Tel.: +49 (0) 7253/980-0
Fax: +49 (0) 7253/980-222
www.SunriseMedical.de

Sunrise Medical
Thorns Road
Brierley Hill
West Midlands
DY5 2LD
England
Phone: 0845 605 66 88
Fax: 0845 605 66 89
www.SunriseMedical.co.uk

Sunrise Medical S.L.
Polígono Bakiola, 41
48498 Arrankudiaga – Vizcaya
España
Tel.: +34 (0) 902142434
Fax: +34 (0) 946481575
www.SunriseMedical.es

Sunrise Medical S.A.S
ZAC de la Vrillonnerie
17 Rue Mickaël Faraday
37170 Chambray-Lès-Tours
Tel : + 33 (0) 247554400
Fax : +30 (0) 247554403
www.sunrisemedical.fr

Sunrise Medical Srl
Via Riva 20, Montale
29100 Piacenza (PC)
Italy
Tel.: +39 0523-573111
Fax: +39 0523-570060
www.SunriseMedical.it

Sunrise Medical A.G.
Lückhalde 14
3074 Muri bei Bern
Switzerland
Tel.: +41 (0) 31-958-3838
Fax: +41 (0) 31-958-3848
www.SunriseMedical.ch

Sunrise Medical AS
Dynamitveien 14B
1400 SKI
Norway
Tel.: +47 (0) 66963800
Fax: +47 (0) 66963838
www.SunriseMedical.no

Sunrise Medical AB
Box 9232
400 95 Göteborg
Sweden
Tel: +46 (0)31 748 37 00
Fax: +46 (0)31 748 37 37
www.SunriseMedical.sv

Sunrise Medical B.V.
Groningenhaven 18-20
3433 PE NIEUWEGEIN
The Netherlands
T: +31 (0)30 – 60 82 100
F: +31 (0)30 – 60 55 880
E: info@sunrisemedical.nl
www.SunriseMedical.nl

V. Guldmann A/S – G2
Graham Bells Vej 21-23A
8200 Aarhus N
+4587413100
+4587413131
www.guldmann.dk

Sunrise Medical Poland Sp. z o.o.
ul. Elektronowa 6,
94-103 Łódź
Polska
Telefon: + 48 42 209 36 67
Fax: + 48 42 209 35 23
E-mail: pl@sunrisemedical.de
Sunrise-Medical.pl