

Wheelchair  
Fauteuil roulant  
Rolstoel

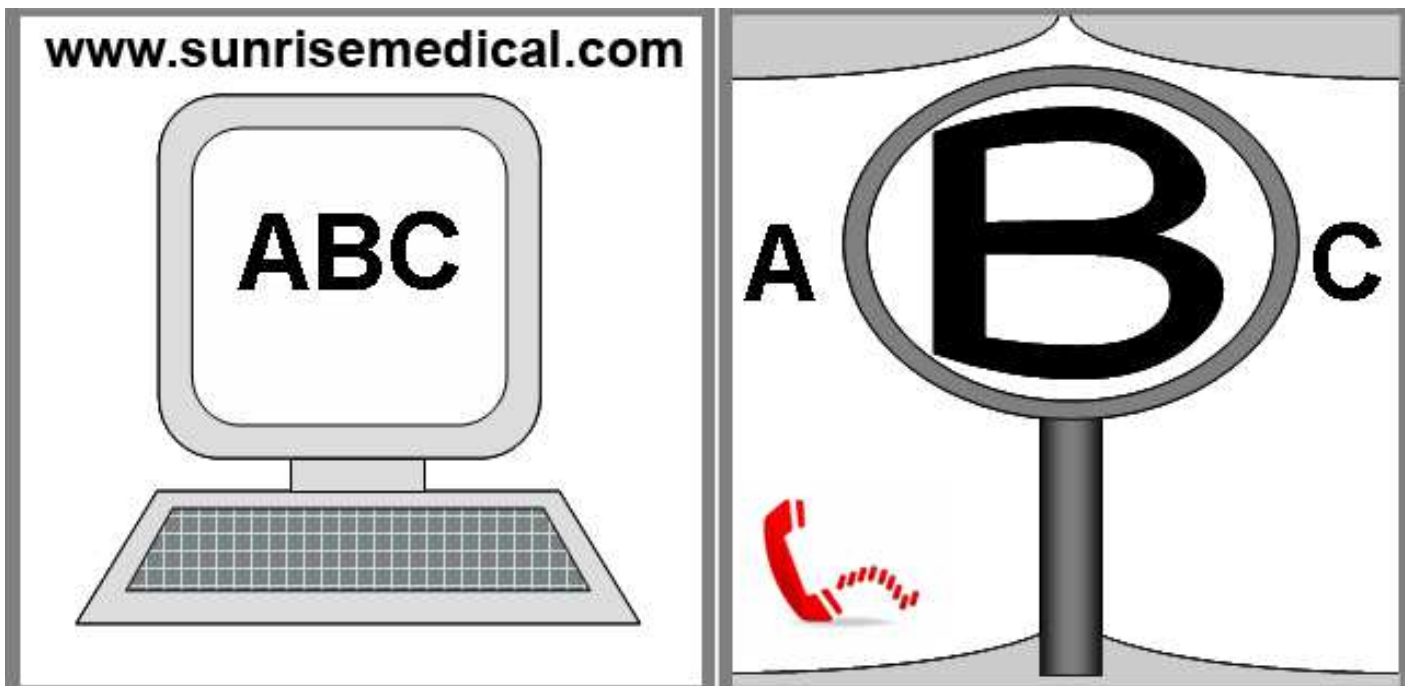


# Xenon<sup>2</sup> FF

Directions for use  
Notice d'utilisation  
Gebruikershandleiding

**QUICKIE**<sup>®</sup>

000690954.02



**IF YOU ARE VISUALLY IMPAIRED, THIS DOCUMENT CAN BE VIEWED IN PDF FORMAT AT [WWW.SUNRISEMEDICAL.CO.UK](http://WWW.SUNRISEMEDICAL.CO.UK).**

**SI VOUS SOUFFREZ DE DÉFICIENCE VISUELLE, CE DOCUMENT PEUT ÊTRE CONSULTÉ EN FORMAT PDF SUR [WWW.SUNRISEMEDICAL.FR](http://WWW.SUNRISEMEDICAL.FR)**

**ALS U VISUEEL GEHANDICAPT BENT KAN DIT DOCUMENT OOK WORDEN GELEZEN IN PDF-FORMAAT OP [WWW.SUNRISEMEDICAL.NL](http://WWW.SUNRISEMEDICAL.NL)**

#### **Wheelchair Components**

**EN** 

We at SUNRISE MEDICAL have been awarded the ISO-9001 certificate, which affirms the quality of our products at every stage, from R & D to production. This products meet the requirements in accordance with EC guidelines. Options or accessories shown are available at extra cost.

#### **Description du fauteuil**

**FR** 

SUNRISE MEDICAL est certifié ISO -9001, une norme qui garantit la qualité des produits à toutes les étapes, de la conception à la production, en passant par la recherche et le développement. Ce produit est conforme aux directives de la Communauté européenne. Les options ou accessoires illustrés sont disponibles moyennant un coût supplémentaire.

#### **Rolstoelonderdelen**

**NL** 

SUNRISE MEDICAL heeft het ISO 9001 certificaat toegekend gekregen, een bewijs van de kwaliteit van onze processen in elk stadium, vanaf het onderzoek en de ontwikkeling tot de productie. Deze producten voldoen aan de vereisten in overeenstemming met Europese richtlijnen. Getoonde opties en accessoires zijn tegen betaling verkrijgbaar.



08



1. Push handles
2. Backrest upholstery
3. Sideguard
4. Seat sling
5. Footrest
6. Castors
7. Footboard
8. Fork
9. Quick-release axle
10. Wheel locks
11. Handrim
12. Rear wheel



36



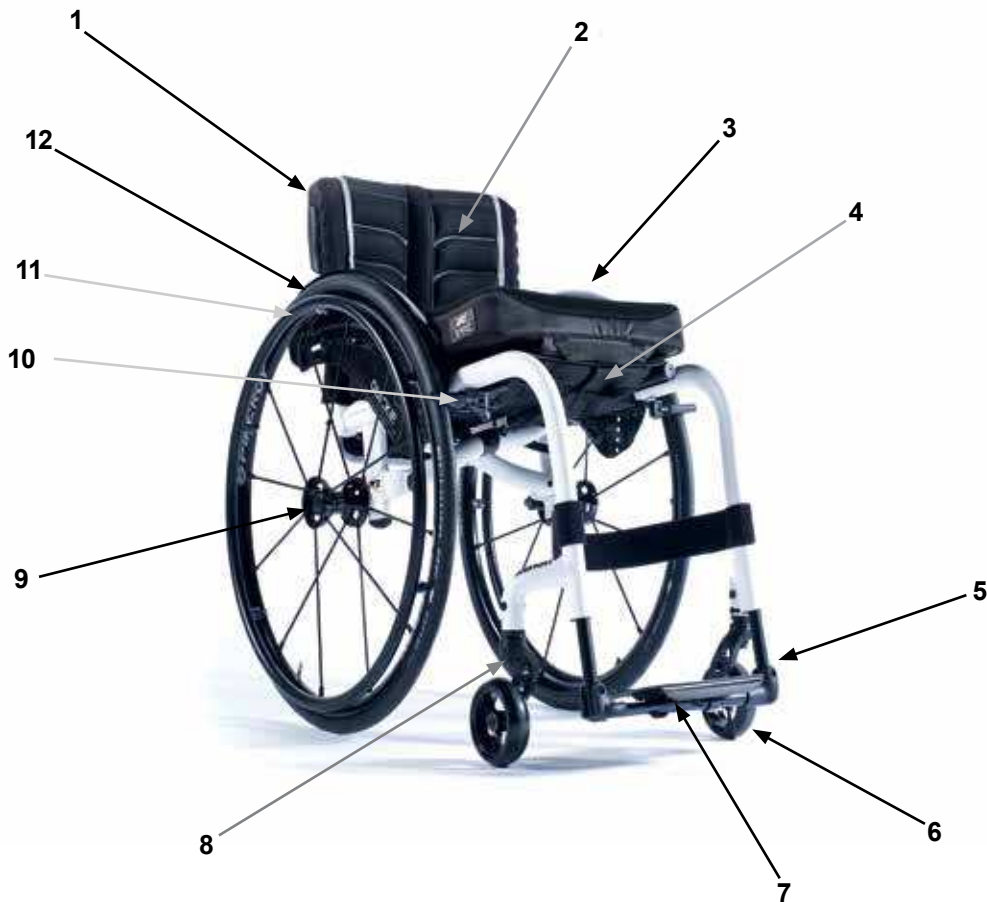
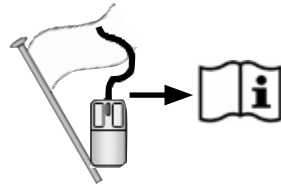
1. Poignées de poussée
2. Toile de dossier
3. Protège-vêtement
4. Toile d'assise
5. Repose-pieds
6. Roues avant
7. Palette
8. Fourche
9. Axe à déverrouillage rapide
10. Freins
11. Main courante
12. Roue arrière


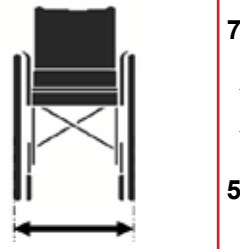
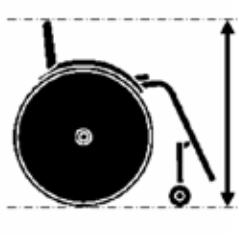

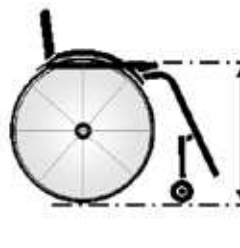




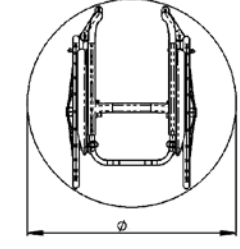
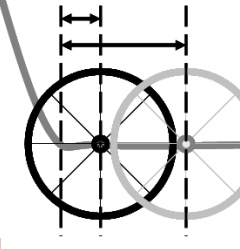

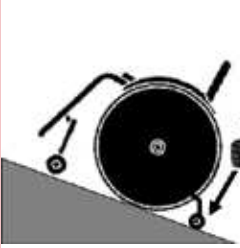

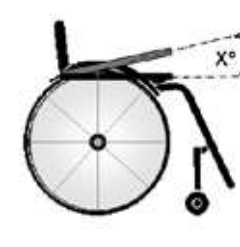

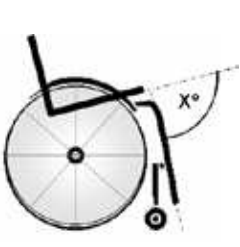
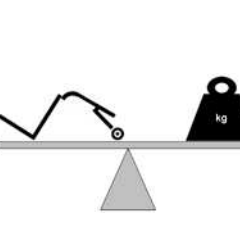
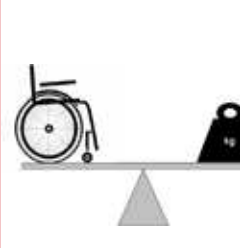

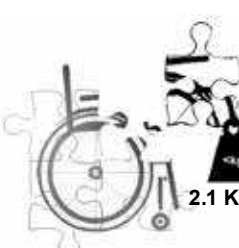


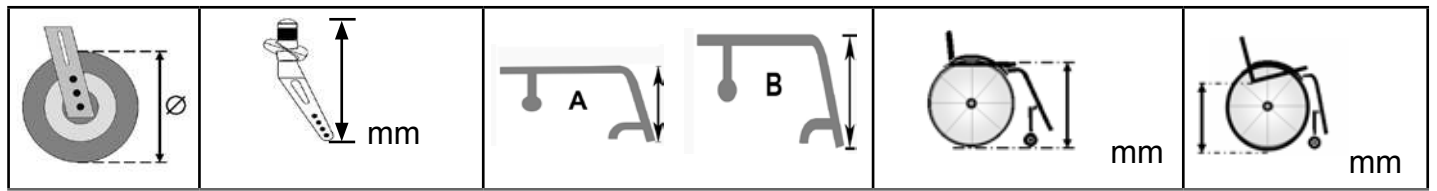
64



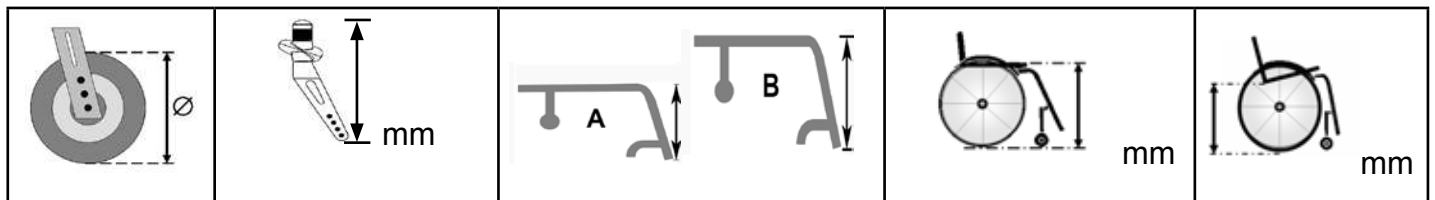
1. Duwhandvatten
2. Rugleuning met band
3. Zijkanten
4. Zittingbespanning
5. Voetsteun
6. Zwenkwielen
7. Balhoofden
8. Vork
9. Quick-Release assen
10. Wielvergrendelingen
11. Hoepel
12. Achterwiel



	1050 ↕ 770		760 ↕ 520		1020 ↕ 690		500 ↕ 220
	550 ↕ 430		500 ↕ 340		567 ↕ 540		MAX ↕ MIN
	475 ↕ 250		500 ↕ 320				MAX ↕ MIN
	880 ↕ ---		+130 ↕ +40				MAX ↕ MIN
	10° ↕ 0°		10° ↕ 0°		10° ↕ 0°		MAX ↕ MIN
	15° ↕ 0°		103° ↕ 75°		103° ↕ 92°		MAX ↕ MIN
	6.3 ↕ ---		8.8 ↕ ---		140 ↕ ---		MAX ↕ MIN



3"	A	111mm	430	370-430
		123 mm	440	370-440
		111 mm	450	370-450
		123 mm	450	370-450
	B	111 mm	460	370-460
		123 mm	470	370-470
		111 mm	470	370-470
		123 mm	480	370-480
4"	A	111mm	490	380-490
		123mm	490	380-490
		111mm	500	390-500
		123mm	510	400-500
	B	111mm	440	370-440
		123mm	450	370-450
		111mm	460	370-460
		123mm	470	370-470
5"	A	111mm	470	370-470
		123mm	480	370-480
		111mm	470	370-470
		123mm	480	370-480
	B	111mm	490	380-490
		123mm	500	390-500
		111mm	510	400-500
		123mm	520	410-500
5"	A	111mm	460	370-460
		123mm	470	370-470
		111mm	480	370-480
		123mm	470	370-470
	B	111mm	480	370-480
		123mm	490	380-490
		111mm	500	390-500
		123mm	510	400-500
5"	A	111mm	520	410-500
		123mm	510	400-500
		111mm	520	410-500
		123mm	510	400-500
	B	111mm	520	410-500
		123mm	530	420-500
		111mm	520	410-500
		123mm	530	420-500



6"	123mm	A	480	370-480	
			490	380-490	
			500	390-500	
4"	Frogleg	B	520	410-500	
			530	420-500	
			540	430-500	
5"		A	A	470	370-470
				480	370-480
				490	380-490
6"		B	B	510	400-500
				520	410-500
				530	420-500
5"		A	A	480	370-480
				490	380-490
				500	390-500
6"	B	B	520	410-500	
			530	420-500	
			540	430-500	
4"	A	A	490	380-490	
			500	390-500	
			510	400-500	
5"	B	B	530	420-500	
			540	430-500	
			550	440-500	

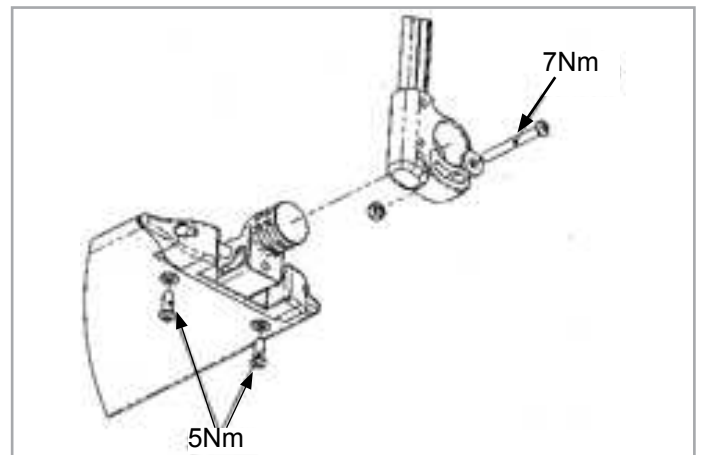
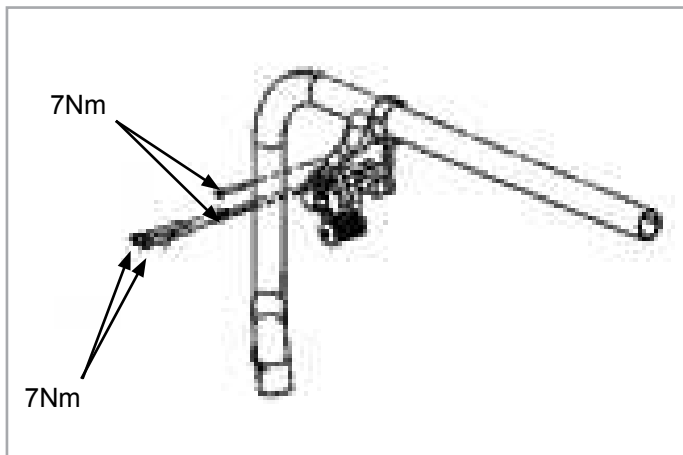
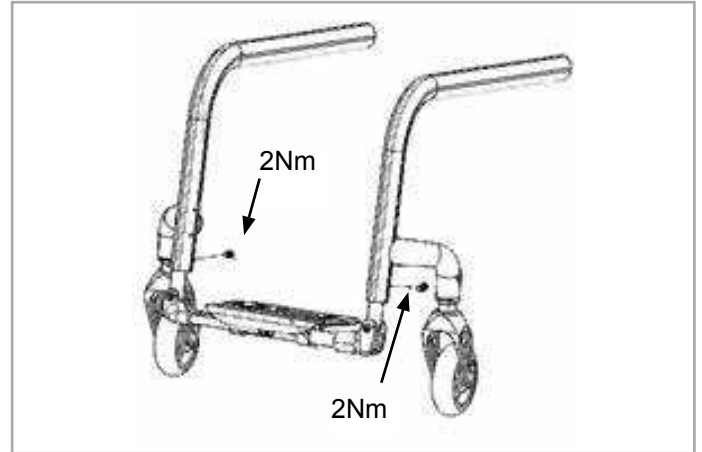
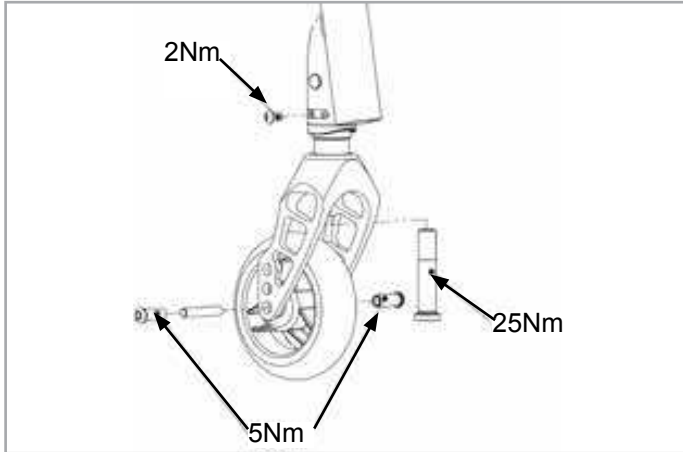




**M5 = 5.0 Nm.**  
**M6 = 7.0 Nm.**  
**M8 = 10.0 Nm.**



**Nm**



### CAUTION!

Some of the screws used during manufacturing are coated with thread-locking fluid (blue dot on the thread) and can only be adjusted up to 3 times before they need to be replaced by new thread-locking screws. Alternatively, the screws can be re-mounted using Loctite™ 243 threadlocker.

### ATTENTION !

Certaines vis utilisées pour la fabrication sont enduites de frein-filet (point bleu sur le filetage) ; elles ne peuvent être ajustées que 3 fois, après quoi il convient de les remplacer par de nouvelles vis à frein-filet. Les vis peuvent également être réutilisées avec du frein-filet Loctite™ 243.

### OPGELET!

Sommige schroeven die tijdens de fabricage worden gebruikt, zijn voorzien van een schroefdraadborgingsmiddel (blauwe stip op de draad) en kunnen slechts drie keer worden versteld voordat ze vervangen moeten worden door nieuwe schroeven met schroefdraadborgingsmiddel. Eventueel kunnen de schroeven opnieuw worden gebruikt waarbij het schroefdraadborgingsmiddel Loctite™ 243 wordt gebruikt.

**Dear Customer,**

We are very pleased that you have decided in favour of a high-quality SUNRISE MEDICAL product.

This Owner's manual will provide numerous tips and ideas so that your new wheelchair can become a trustworthy and reliable partner in your life.

Maintaining close ties to our customers means a lot to us at Sunrise Medical. We like to keep you up-to-date about new and current developments at our company. Keeping close to our customers means: fast service, as little red tape as possible, working closely with customers. When you need replacement parts or accessories, or if you just have a question about your wheelchair – we are there for you.

We want you to be satisfied with our products and service. At Sunrise Medical we are constantly working to develop our products further. For this reason, changes can occur in our palette of products with regard to form, technology, and equipment. Consequently, no claims can be construed from the data or pictures contained in this owner's manual.

**The management system of SUNRISE MEDICAL is certified to DIN EN ISO 9001, ISO 13485 and ISO 14001.**



**As the manufacturer, SUNRISE MEDICAL, declares that the lightweight wheelchairs conform to the 93/42/EEC 2007/47/EEC guideline.**

Please contact your local, authorised SUNRISE MEDICAL dealer if you have any questions regarding the use, maintenance or safety of your wheelchair.

In case there is no authorised dealer in your area, or you have any questions, contact Sunrise Medical either in writing or by telephone.

**Sunrise Medical****Thorns Road****Brierley Hill****West Midlands****DY5 2LD****England****Phone: 0845 605 66 88****Fax: 0845 605 66 89****[www.SunriseMedical.co.uk](http://www.SunriseMedical.co.uk)****IMPORTANT:**

**DO NOT USE YOUR WHEELCHAIR UNTIL THIS MANUAL HAS BEEN READ AND UNDERSTOOD.**

Wheelchairs are exclusively for a user who is unable to walk or has limited mobility, for their own personal use, when self-propelling and being moved by a third party (pushed by attendant) within the home and outdoors.

**The maximum weight limit (includes both the user and any weight of accessories fitted to the wheelchair) is marked on the serial number label, which is affixed to the cross-brace or the stabilising bar under the seat.**

Warranty can only be issued if the product is used under the specified conditions and for the intended purpose. The expected life of the wheelchair is 5 years. NO NON-STANDARD PARTS are to be fitted, other than those officially approved by Sunrise Medical.

**Area of Application.**

The variety of options as well as the modular design means that it can be used by those who cannot walk or have limited mobility because of:

- Paralysis
- Loss of extremity (leg amputation)
- Extremity defect/deformity
- Joint contractures/joint injuries
- Illnesses such as heart and circulation deficiencies, disturbance of equilibrium or cachexia as well as for elderly people who still have strength in the upper body.

When considering provision, please also note the body size, weight, physical and psychological constitution, the age of the person, living conditions and environment.







## Table of Contents

Foreword	8
Use	8
Area of Application.	8
1.0 General safety notes and driving restrictions	10
2.0 Transportability	13
3.0 Guarantee	15
4.0 Handling	16
5.0 Quick Release Wheels	17
6.0 Options	17
6.1 Step Tubes	17
6.2 Wheel Locks	17
6.3 Footrests	19
6.4 Seating	21
6.5 Castors	23
6.6 Backrests	24
6.7 Headrests	24
6.8 Wheel Alignment	25
6.9 Side-guards	26
6.10 Push Handles	27
6.11 Crutch Holder	28
6.12 Anti-Tip Tubes	28
6.13 Stabilising Bar	29
6.14 Transit Wheels	29
6.15 Pelvic Restraint Belt	30
6.16 Hand-Bike Axle	32
7.0 Daily Checks	33
8.0 Tyres and Mounting	33
9.0 Maintenance and Care	33
10.0 Troubleshooting	34
11.0 Disposal / Recycling of Materials	34
12.0 Nameplate	35
13.0 Technical Specifications	35

## Definitions

### 3.1 Definitions of words used in this manual

Word	Definition
 <b>DANGER!</b>	Advice to the user of Potential Risk of serious injury or death if the advice is not followed
 <b>WARNING!</b>	Advice to the user of a potential risk of injury if the advice is not followed
 <b>CAUTION!</b>	Advice to user that potential damage to equipment may occur if the advice is not followed
<b>NOTE:</b>	General advice or best practice
	Reference To Additional Documentation

#### NOTE:

The wheelchairs shown and described in this user guide may not correspond in every detail exactly to your own model. However, all instructions are completely relevant, regardless of possible detail differences.

The manufacturer reserves the right to alter without notice any weights, measurements or other technical data shown in this manual. All figures, measurements and capacities shown in this manual are approximate and do not constitute specifications.

#### NOTE:

Please keep a note of your local service agent's address and telephone number in the space provided. In the event of a breakdown, contact them and try to give all relevant details so they can help you quickly.

Dealer signature and stamp

## 1.0 General safety notes and driving restrictions

The engineering and construction of this wheelchair has been designed to provide maximum safety. International safety standards currently in force have either been fulfilled or exceeded in parts. Nevertheless, users may put themselves at risk by improperly using their wheelchairs. For your own safety, the following rules must be strictly observed.

Unprofessional or erroneous changes or adjustments increase the risk of accident. As a wheelchair user, you are also part of the daily traffic on streets and pavements, just like anyone else. We would like to remind you that you are therefore also subject to any and all traffic laws. Be careful during your first ride in this wheelchair. Get to know your wheelchair.

Before each use, the following should be checked:

- Quick-release axles on the rear wheels
- Velcro on seats and backrests
- Tyres, tyre pressure and wheel locks.



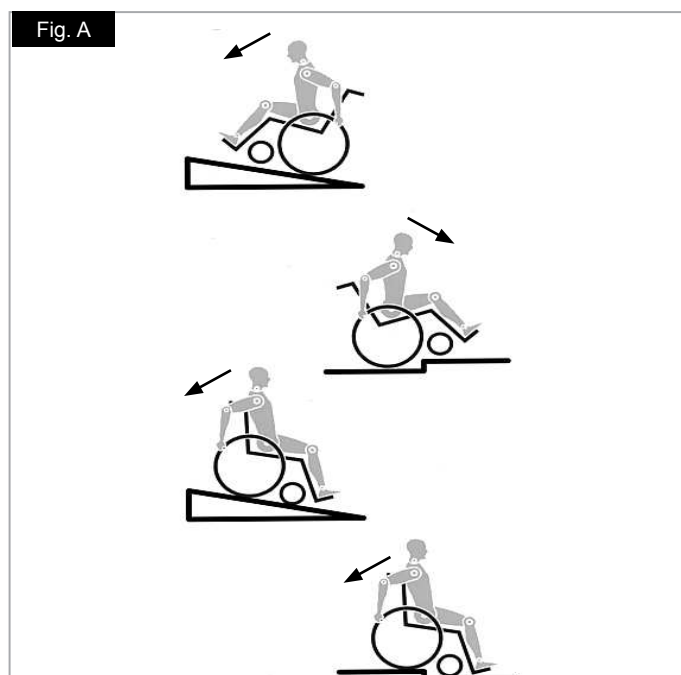
Before changing any of the adjustments of this wheelchair, it is important to read the corresponding section of the user's manual.

It is possible that potholes or uneven ground could cause this wheelchair to tip over, especially when riding uphill or downhill. When riding over a step or up an incline frontally, the body should be leaning forward.

### **Danger!**

- NEVER exceed the maximum load of 110kg or 140kg (depending on frame version), for driver plus any items carried on the wheelchair. Please note the weight information for lighter weight options, which are quoted separately. If you exceed the maximum load, this can lead to damage to the chair, or you may fall or tip over, lose control and may lead to serious injury of the user and other people.

- If and whenever possible, during a journey in a specially fitted vehicle for disabled people, vehicle occupants should use the seats in the vehicle and the appropriate restraint system. This is the only way to ensure that occupants will have the maximum protection if there is an accident. When using safety elements offered by SUNRISE MEDICAL and using a specially designed safety system, lightweight wheelchairs can be used as a seat when being transported in a specially fitted vehicle. (See the Chapter on "Transportation").
- To avoid falls and dangerous situations, you should first practice using your new wheelchair on level ground with good visibility.
- This wheelchair should be used exclusively to convey one person at a time. Any other use does not comply with the intended purpose.
- When getting on or off the wheelchair, do not use the footboards. These should be flipped up beforehand and swung to the outside as far as possible.
- Depending on the diameter and setting of the castors, as well as the centre of gravity setting of the wheelchair, the castors may begin to wobble at high speeds. This can lead to the castors being blocked and the wheelchair may tip over. Therefore, please make sure that the castors are adjusted correctly (see the Chapter "Castors").
- In particular, do not travel on an incline without wheel locks, travel at a reduced speed. This product has been tested to a maximum speed of 10kph. At higher speeds, depending on the configuration and/or physique/physical capabilities of the user, there may be unexpected castor wobble. This can lead to injury of the user.
- Riding sideways on to a slope or incline, increases the possibility of the wheelchair tipping over sideways.
- Explore the effects of changing the centre of gravity on the behaviour of the wheelchair, for example on inclines, slopes, all gradients or when overcoming obstacles. Do this with the secure aid of a helper.
- We recommend that novice users use anti-tip tubes.
- Anti-tip tubes should prevent the chair tipping over backwards unintentionally. Under no circumstances should they take the place of transit wheels, and be used to transport a person in a wheelchair with the rear wheels removed.



- With extreme settings (e.g. rear wheels in the most forward position) and less than perfect posture, the wheelchair may tip over even on a level surface.
- Lean your upper body further forward when going up slopes and steps.
- Lean your upper body further back when going down slopes and steps.
- Do not hang heavy items such as shopping bags or backpacks, on the push handles, head rest or backrest of the wheelchair.
- These can change the tipping point and there is a risk of tipping backwards. When reaching for objects (which are in front of, to the side or behind the wheelchair) make sure that you do not lean too far out of the wheelchair, as if you change the centre of gravity there is a risk of tipping or rolling over.
- Only use your wheelchair properly. For example, avoid travelling against an obstacle without braking (step, kerb edge) or dropping down gaps.
- Only attempt stairs with the help of an attendant. There is equipment available to help you, e.g. climbing ramps or lifts, please use them. If there is no such equipment available, then the wheelchair must be tipped and pushed over the steps (2 helpers).
- In general, any anti-tip tubes fitted must be set beforehand, so that they cannot touch the steps, as otherwise this could lead to a serious tumble. Afterwards the anti-tip tubes must be set back to their correct position.
- Make sure that the attendant only holds the wheelchair using securely mounted parts (e.g. not on the footrests or the sideguards).
- When using the lifting ramp make sure that the anti-tip tubes fitted are positioned outside the danger area.
- Secure your wheelchair on uneven ground or when transferring (e.g. into a car) by using the wheel locks.
- For high amputees you must use anti-tip tubes.
- Before setting off, check that your tyre pressure is correct. For rear wheels it should be at least 3.5 bar (350 kPa). The max. pressure is indicated on the tyre.
- The knee-lever wheel locks will only work if there is sufficient tyre pressure and if the correct setting has been made (see the Chapter on "Wheel locks").
- The wheel locks are not intended to wheel locks your wheelchair. They are only there to ensure that your wheelchair does not begin rolling unintentionally. When you stop on uneven ground, you should always use the wheel locks to prevent such rolling. Always apply both wheel locks; otherwise, your wheelchair could tip over.
- The wheel locks have not been designed to be used as wheel locks for a moving wheelchair.
- Always make use of elevators and ramps. If these are not available, you should request the help of an attendant. They should only grip the wheelchair at securely mounted parts. If anti-tip tubes are fitted these must be folded away. A wheelchair should never be lifted with an occupant; it should only be pushed.
- If the seat and back sling are damaged, you must replace them immediately.
- Do not lift or carry the wheelchair by the backtubes or the pushhandles.
- Do not fit any unauthorized electronic equipment, powered or mechanically operated mobility drives, hand-bike or any other device that changes the intended use or the structure of the wheelchair.
- Any combination with other medical devices requires the approval of Sunrise Medical.
- Be careful with fire, in particular with burning cigarettes. Seat and back slings can be set alight.
- If and whenever possible, during a journey in a specially fitted vehicle for disabled people, vehicle occupants should use the seats in the vehicle and the appropriate restraint system. This is the only way to ensure that occupants will have the maximum protection if there is an accident. When using safety elements offered by SUNRISE MEDICAL and using a specially designed safety system, lightweight wheelchairs can be used as a seat when being transported in a specially fitted vehicle. (See the Chapter on "Transportation").
- Always make sure that the quick-release axles on the rear wheels are set properly and lock in. If the button on the quick-release axle is not pressed in, the rear wheel cannot be removed.
- In particular when using lightweight metal handrims, fingers will easily become hot when braking from a high speed or on long inclines.
- If the wheelchair is subject to direct sunlight for a long period of time, then parts of the wheelchair (e.g. frame, legrests, wheel locks and sideguard) may become hot (>41°C).
- To avoid hand injuries do not grab in between the spokes or between the rear wheel and wheel lock when driving the wheelchair.
- When using the chair outside, always wear leather gloves which will increase your grip and protect the fingers from dirt and overheating.
- Do not use the wheelchair on slopes > 10°.
- The Dynamic safe slope is dependant on the chair configuration, the users abilities and the style of riding. As the users abilities and style of riding cannot be pre-determined then the max safe slope cannot be determined. Therefore this must be determined by the user with the assistance of an attendant to prevent tipping. It is strongly recommended that inexperienced users have Ant-tips fitted.
- Do not use your wheelchair on muddy or icy ground.
- Do not use your wheelchair where pedestrians are not allowed.
- With all moving parts there is a natural risk of finger traps. Please handle with care
- The wheelchair should not be used in heavy rain, snow, slippery, or unsound surfaces.
- Do not use the wheelchair in hazardous environments.

 **WARNING!**

**CHOKING HAZARD** – This mobility aid uses small parts which under certain circumstances may present a choking hazard to young children.

**Note :**

- The effect of the wheel locks as well as the general driving characteristics are dependant on tyre pressure. The wheelchair is significantly lighter and easier to manoeuvre when the rear wheels are pumped up correctly and both wheels have the same pressure.
- Make sure that your tyres have sufficient tread!
- Please note that you are subject to any and all traffic laws when driving in public traffic.
- When it is dark, please wear light clothing or clothing with reflectors, so that you can be seen more easily. Make sure that the reflectors on the side and back of the wheelchair are clearly visible. We would also recommend that you fit an active light.
- Always be careful with your fingers when working or adjusting the wheelchair!
- The products shown and described in this manual may not be exactly the same in every detail as your own model. However, all instructions are still entirely relevant, irrespective of detail differences.
- The manufacturer reserves the right to alter without notice any weights, measurements or other technical data shown in this manual. All figures, measurements and capacities shown in this manual are approximate and do not constitute specifications.
- Adjustments to your wheelchair, especially to security-relevant components as for example wheel-locks, anti-tip or backrest must be performed by authorized dealers.
- When using add-on mobility devices, such as hand bikes, power add-ons etc, ensure that your wheelchair is equipped with appropriate castor forks intended for such use.

**Lifetime**

- The expected lifetime of this product is 5 years.

## 2.0 Transportability

### DANGER!

There is a risk of serious injury or death if this advice is ignored!

Transportation of your wheelchair within a vehicle:

A wheelchair secured in a vehicle will not provide the equivalent level of safety and security as a vehicle seating system. It is always recommended that the user transfers to the vehicle seating. It is recognised that this is not always practical for the user to be transferred and in these circumstances, where the user must be transported whilst in the wheelchair, the following advice must be followed:

1. Confirm that the vehicle is suitably equipped to transport a passenger in a wheelchair, and ensure the method of access/egress is suitable for your wheelchair type. The vehicle should have the floor strength to take the combined weight of the user, the wheel chair and accessories.
2. Sufficient space should be available around the wheelchair to enable clear access to attach, tighten and release the wheelchair and occupant tie down restraints and safety belts.
3. The occupied wheelchair must be located in a forward facing position and secured by the wheelchair tie down and occupant restraint straps (WTORS tie downs meeting the requirements of ISO 10542 or SAE J2249) in accordance with the WTORS manufacturer's instructions.
4. The wheelchair's use in other positions within a vehicle has not been tested e.g. transportation in a side facing position must not be carried out under any circumstances (Fig. A).

5. The wheelchair should be secured by a Tie Down Restraint system, conforming to ISO 10542 or SAE J2249 with non-adjustable front straps and adjustable rear straps, which typically use Karabiner clips/S hooks and tongue and buckle fittings. These restraints generally comprise of 4 individual straps that are attached to each corner of the wheelchair.

6. The tie-down restraints should be fitted to the main frame of the wheelchair as indicated in the diagram on the following page, and not to any attachments or accessories, e.g. not around the spokes of wheels, wheel locks or footrests.

7. The tie-down restraints should be attached as close as possible at an angle of 45 degrees and tightened securely in accordance with the manufacturer's instructions.

8. Alterations or substitutions must not be made to the wheelchair securement points or to structural and frame or components without consulting the manufacturer. Failure to do so will invalidate the ability of a Sunrise Medical wheelchair to be transported within a vehicle.

9. Both pelvic and upper torso restraint belts must be used to restrain the occupant to reduce the possibility of head and chest impacts with the vehicle components and serious risk of injury to the user and other vehicle occupants. (Fig B) The upper torso restraint belt should be mounted to the vehicle "B" pillar - failure to do so will increase the risk of serious abdominal injuries to the user.

10. A head restraint suitable for transportation (see label on headrest) must be fitted and suitably positioned at all times during transportation.

11. Postural supports (lap straps, lap belts) should not be used or relied on for occupant restraint in a moving vehicle unless they are labelled as meeting the requirements specified in ISO 7176-19:2001 or SAE J2249.

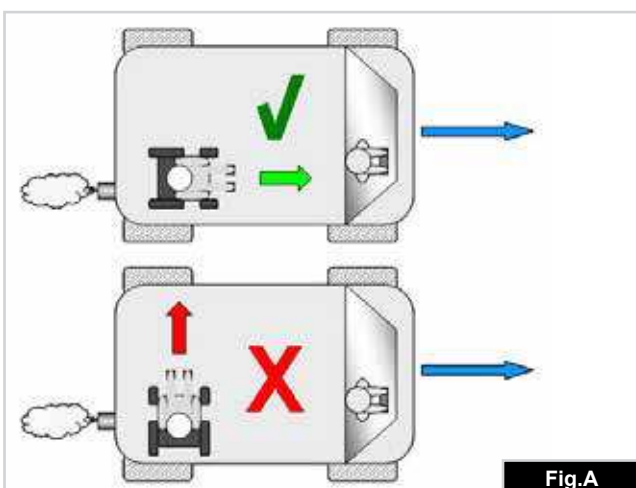


Fig.A

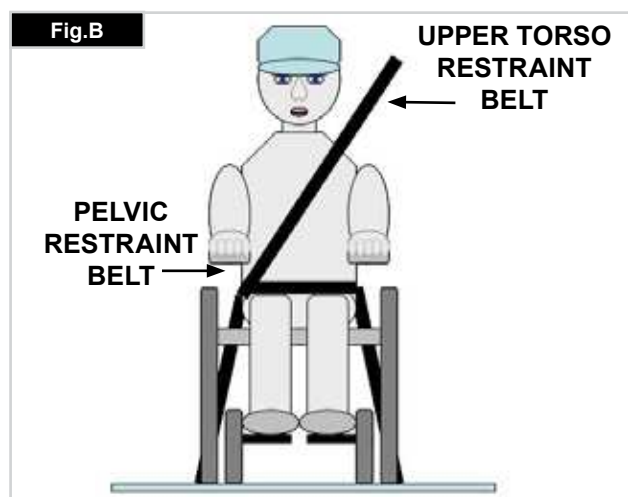


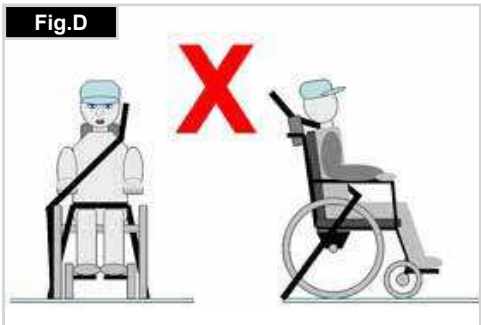
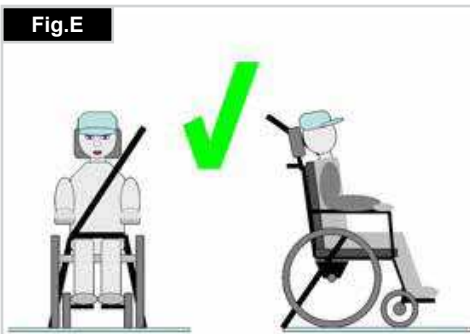
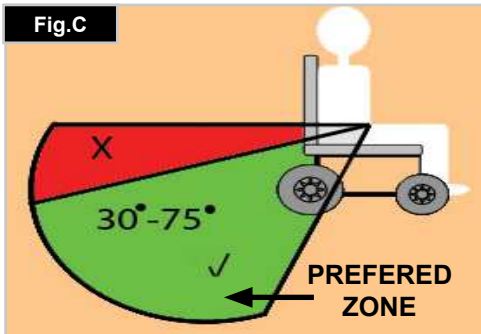
Fig.B

**Transportability Continued**

- 12. The safety of the user during transportation depends upon the diligence of the person securing the tie-down restraints and they should have received appropriate instructions and/or training in their use.
- 13. Wherever possible remove and stow safely away from the wheelchair all auxiliary equipment, for example: Crutches, Loose cushions and Tray Tables.
- 14. Articulating/elevating leg rest should not be used in the elevated position when the wheelchair and user are being transported and the wheelchair is restrained using Wheelchair Transport and Occupant Restraints.
- 15. Reclining backrests should be returned to an upright position.
- 16. The manual wheel locks must be firmly applied.
- 17. Restraints should be mounted to the vehicle "B" pillar and should not be held away from the body by wheelchair components such as armrest or wheels.

**Occupant Restraints Instruction:**

- 1. The pelvic restraint belt must be worn low across the front of the pelvis so that the angle of the pelvic belt is within the preferred zone of 30 to 75 degrees to the horizontal. A steeper (greater) angle within the preferred zone is desirable i.e. closer to, but never exceeding 75degrees. (Fig C).
- 2. The upper torso restraint belt must fit over the shoulder and across the chest as illustrated Fig d and e. Restraint belts must be adjusted as tightly as possible consistent with user comfort. Restraint belt webbing must not be twisted when in use. The upper torso restraint belt must fit over the shoulder and across the shoulder as illustrated in Fig D and E.



3. The attachment points to the chair are the inner front side frame just above the castor, and the rear side frame. The straps are fitted around the side frames at the intersection of the horizontal and vertical frame tubes. (See Figs G - H)

4. The tie down symbol (Fig F) on the wheelchair frame indicates the position of the wheelchair restraint straps. The straps are then tensioned after the front straps have been fitted to secure the wheelchair.

**USER WEIGHT LESS THAN 22 kg (48 lb 8.0 oz)**

When the user being transported is a child, less than 22Kg mass and the vehicle involved has less than eight (8) seated passengers it is recommended that they be transferred to an UNCE Regulation 44 compliant child restraint system (CRS).

This type of restraint system provides a more effective occupant restraint system than the conventional 3 point occupant restraint system and some CRS systems also include additional postural supports to assist in maintaining the position of the child when seated. Parents or care providers may consider the option, in some circumstances, for their child is to remain in their wheelchair whilst in transport due to the level of posture control and comfort provided by the set up in the wheelchair.

We would recommend in such circumstances that a risk assessment be carried out by your healthcare professional and relevant competent persons.

**Transportability – positioning of wheelchair tie down restraints on wheelchair**

The wheelchair secured with front wheelchair tie down restraints. (Fig. G). Position of the rear wheelchair tie down restraint, (Fig H).



**GUARANTEE****THIS GUARANTEE DOES NOT AFFECT YOUR LEGAL RIGHTS IN ANY WAY.**

Sunrise Medical\* provides a guarantee, as set out in the warranty conditions, for wheelchairs to its customers covering the following

**Warranty conditions**

1. Should a part or parts of the wheelchair require repair or replacement as a result of a manufacturing and/or material fault within 24 months or for frame and cross-braces within 5 years after delivery to the customer, then the affected part or parts will be repaired or replaced free of charge. (Batteries are guaranteed for a period of 12 months subject to the correct battery care plan being followed)
2. To enforce the warranty, please contact Sunrise Medical Customer Service with the exact details of the nature of the difficulty. Should you be using the wheelchair outside the area covered by the Sunrise Medical customer service agent, repairs or replacement will be carried out by another agency as designated by the manufacturer. The wheelchair must be repaired by a Sunrise Medical designated Customer Service agent, (dealer).
3. For parts, which have been repaired or exchanged within the scope of this warranty, we provide a warranty in accordance with these warranty conditions for the remaining warranty period for the wheelchair in accordance with point 1).
4. For original spare parts which have been fitted at the customer's expense, these will have a 12 months guarantee, (following the fitting), in accordance with these warranty conditions.
5. Consumable parts such as pads, tyres, inner tubes and similar parts are excluded from the warranty, except in the case that premature wear of the part is the direct result of a manufacturing fault.
6. Claims from this warranty shall not arise, if a repair or replacement of a wheelchair or a part is required for the following reasons:
  - a) The product or part has not been maintained or serviced in accordance with the manufacturer's recommendations as shown in the User Instructions and/or the Service Instructions.
  - b) Accessories have been used which are not specified as original accessories.
  - c) The wheelchair or part having been damaged by neglect, accident or improper use.
  - d) Changes/modifications have been made to the wheelchair or parts, which deviate from the manufacturer's specifications.
  - e) Repairs have been carried out, before our Customer Service has been informed of the circumstances.
7. This guarantee is subject to the law of the country in which the product was purchased from Sunrise Medical"

*\* Means the Sunrise Medical facility from which the product was purchased.*

**Additional Notes For Australia Only:**

1. *For goods provided by Sunrise medical Pty Ltd in Australia, our goods come with a guarantee by Sunrise Medical that cannot be excluded under Australian Consumer Law.*
2. *You are entitled to a replacement or refund for a major failure and for compensation for any foreseeable loss or damage.*
3. *You are also entitled to have the goods repaired or replaced if the goods fail to be of acceptable quality and the failure does not amount to a major failure.*
4. *The benefits to you given by this warranty are in addition to your other rights and remedies under a law in relation to the goods to which the warranty relates.*

## 4.0 Handling

### Folding up

First remove the seat cushion from the wheelchair and flip up the (platform) footplate. Take hold of the sling or the seat tubes (Fig.4.1) in the middle, from the back, and pull it upwards until the folding bracket (Fig.4.2) clicks into place.

### Transport

To move the mobility aid, the folded wheelchair should be lifted by holding the front part of the cross-brace and the push handles.

### Unfolding

Push the release lever of the folding bracket (Fig.4.3) downwards and push both frame halves apart. Then press on the seat tube (see figure). Your wheelchair is then unfolded. Now snap the seat tubing into position in the seat saddle. This can be facilitated by slightly tipping your wheelchair to the side, as this means that the weight is taken off one of the rear wheels. **Be careful not to get your fingers caught in the cross-tube assembly.** Fit the seat cushion. (Fig.4.4).

### Getting into your wheelchair on your own (Fig.4.5)

- Push the wheelchair to a wall or a solid piece of furniture;
- Apply the wheel locks;
- Flip the footplates up;
- The user can lower themselves into the wheelchair;
- Fold the foot plates back downwards and position your feet in front of the heel loops.

### Getting out of your wheelchair on your own (Fig.4.6)

- Apply the wheel locks;
- Fold the footplates upwards with your foot;
- With one hand on the armrest, the person should bend slightly forward, to bring the body weight to the front of the seat, and then with both feet firmly on the ground and one foot behind the other, push up into the upright position.

### WARNING!

- Do not stand on the foot plates during transfers. The wheelchair is likely to tip to the front when standing on the foot plates.
- Always place your feet securely on the ground for transferring into or out of the wheelchair.
- Always engage the wheel locks when transferring in or out of the wheelchair.

Fig.4.1



Fig.4.2



Fig.4.3



Fig.4.4



Fig.4.5

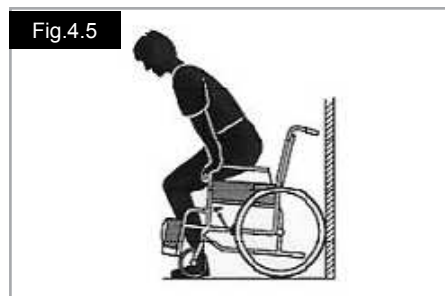


Fig.4.6



## 5.0 Quick Release Wheels

### Quick-release axles on rear wheel

The rear wheels are equipped with quick-release axles. The wheels can then be fitted or removed without using tools. To remove a wheel, simply depress the quick-release button on the axle and pull the wheel off the axle. (Fig.5.1).

### Quick release for quads/tetraplegics

Please flip up the release lever (1). The take out the quick release axles and/or the wheels.

When the wheels/quick release axles have been put on the chair again, please flip the release lever down.

Please do always ensure that the release mechanism is closed and fully locked before starting to use the wheel chair (Fig. 5.2).

### WARNING!

- Hold the quick-release button on the axle depressed when inserting the axle into the frame to mount the rear wheels. Release the button to lock the axle in place. The quick-release button should snap back to its original position.
- Risk of injury. Do not get your fingers caught in the rotating wheel. Always stop wheel rotation before removing the wheels.

## 6.0 Options

### 6.1 Step Tubes

Step tubes are used by attendants to push a wheelchair over an obstacle. Simply step on the tube to push a wheelchair, for example, over a kerb or step, (Fig.6.1.1).

### 6.2 Wheel Locks

### CAUTION!

Braking power can be affected by incorrect fitting and adjustment of the wheel locks, as well as tyre pressure which is too low.

### Wheel locks

Your wheelchair is equipped with two wheel locks. They are applied directly against the tyres. To engage, press both wheel-lock levers forward against the stops. To release the wheel, pull the levers back to their original positions.

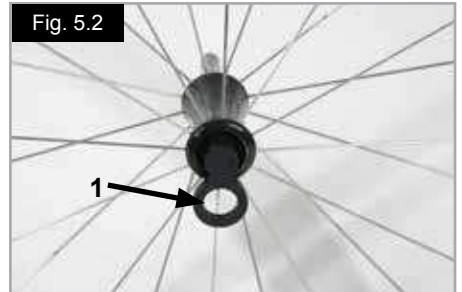
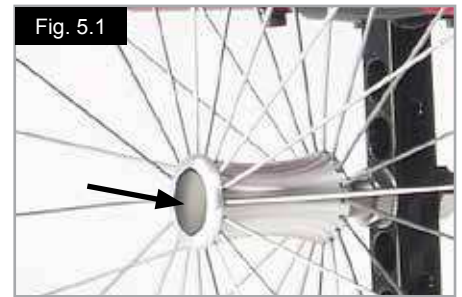
Braking power will decrease with:

- Worn tyre tread
- Tyre pressure that is too low
- Wet tyres
- Improperly adjusted wheel locks.

The wheel locks have not been designed to be used as wheel lockss for a moving wheelchair. The wheel locks should therefore never be used to wheel locks a moving wheelchair. Always use the handrims for braking. Make sure that the interval between the tyres and wheel locks complies with given specifications. To readjust, loosen the screw and set the appropriate gap. Then re-tighten the screw, (Fig.6.2.1 and Fig.6.2.2).

### CAUTION!

After each adjustment of the rear wheels, check the wheel lock gap and re-adjust if necessary.



## Wheel Lock Lever Extension

The longer lever helps to minimise the effort needed to set the wheel locks. The wheel lock lever extension is screwed to the wheel locks. By raising this, it can be flipped forward. (Fig.6.2.3).

### ⚠ CAUTION!

**Mounting the wheel lock too close toward the wheel will result in a higher effort to operate. This might cause the wheel lock extension lever to break!**

### ⚠ WARNING!

Leaning onto the wheel lock lever extension while transferring will cause the lever to break! Splashing water from tyres might cause the wheel lock to malfunction.

## Compact Wheel lock

Compact wheel locks are underneath the seat sling and are operated by pulling the wheel locks towards the rear, in the direction of the tyre. For the wheel locks to operate correctly, they must be pulled fully against the stops, (Fig.6.2.4).

### ⚠ CAUTION!

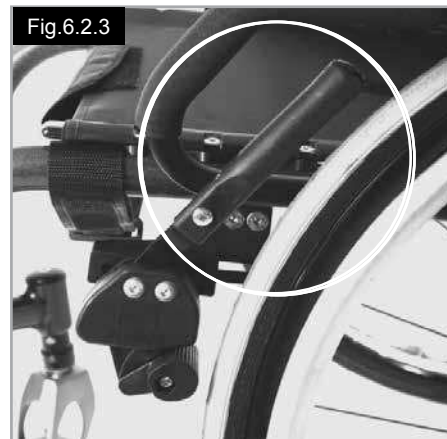
- Incorrect mounting of the wheel lock will result in a higher effort to operate. This might cause the wheel lock lever extension to break!
- The mounting bolts of the brake must not be loosened and/ or re-tightened.

## Drum brakes

Drum brakes permit safe and convenient braking for an attendant. They can also be set with the aid of a locking lever (1) to prevent rolling. The lever must snap audibly into place. Drum brakes are not influenced by air pressure inside the tyres (Fig.6.2.5).

### ⚠ WARNING!

- Drum brakes must only be adjusted by authorised dealers
- Always operate the two drum brakes simultaneously to guarantee the control of the driving direction!
- Drum brakes can only be used as a dynamic brake to stop the wheelchair while driving.
- Always engage the wheel locks to secure the wheelchair during a short or long stop, or for transfer.





## 6.3 Footrests

Various footboards are available on the Xenon. These can be flipped up to make it easier to transfer to/from the chair. They are described individually.

### Lower leg length

By undoing the clamp screw (Fig.6.3.1), you can adjust the lower leg length. Loosen the clamp screw, adjust the tube with the footboard to the desired position. Tighten clamp screws again (see the page on torque). Ensure that the plastic push joint is located under the clamp screw in the correct position.

### WARNINGS!

- Do not stand on the footplate during transfer. The chair is likely to tip to the front when standing on the footplate. Always place your feet securely on the ground for transferring into or out of the chair.

### Platform Footrests

The footplates can be flipped up to make it easier to transfer to and from the chair.

The footplates can also be tilted to six different angles relative to a level surface.

Tighten screw (1) firmly on the outer side.

By removing the clips (2), the footrest can be adjusted to three different positions toward both the front and rear.

Loosen the adjustment screw (3) to change the horizontal position of the footboard.

For this purpose, the footboard must be flipped up, (Fig.6.3.2 to Fig.6.3.4).

When finished, make sure that all screws have been properly tightened (see the page on torque).

A minimum interval of 2.5 centimetres from the ground should always be maintained.



### Width adjustment of footrests

If the footrest width needs to be adjusted, please undo the screw (1), set the desired width, by positioning 1, 2 or 3 spacers (2) from outer to the inner side and then refit the screws, (Fig.6.3.5).

### Lightweight footrest

The footboard angle can be adjusted by loosening the screws (2). Side protection panels can be fitted to the footboard using the mounting holes (3). These prevent the feet slipping off accidentally, (Fig.6.3.6). Make sure that after any adjustment work, all screws are tightened correctly (see the page on torque).

### Width adjustment

To adjust the width of the footboard open the screw (2). Then you can slide in and out the tubes in the holder to adjust the width of the footboard (Fig.6.3.6).

Please make sure that the screws are tightened with the correct torque .

### Automatic folding footrest

The footrest angle can be adjusted by loosening the screws (1) and turning the footrest. When tightening, please note the torque measurements, (Fig.6.3.7).

### High-mount footrest

The high-mount footrest is fitted on the inner part of the frame and permits a higher position than a standard footrest (Fig.6.3.8)

Fig.6.3.5

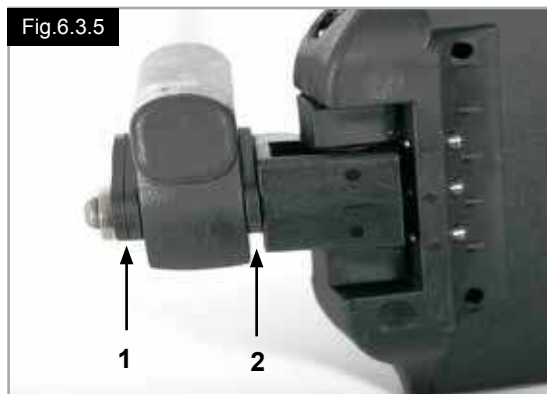


Fig.6.3.6



Fig.6.3.7



Fig.6.3.8





## 6.4 Seating

### Seat Sling

The seat sling can be adjusted for tension by using several straps. To adjust the tension of the seat sling all straps have to be open. By pulling the straps the tension of the seat sling will be tightened, (Fig.6.4.1).

#### NOTE:

If the tension is too high, the cross brace will not be able to slide into the saddle.

#### Adjusting the seat height:

##### Lightweight adapter

To change the seat height;

- Remove the rubber bungs, (3) situated in the groove to the rear of the axle stem. Release the Allen screws (1) with an Allen key. Position axle bracket (2) on the axle stem (4) according to the desired seat height (Fig.6.4.2).
- In order to obtain the lowest possible seat height, the axle bracket can be mounted upside down.
- Re-tighten the Allen screws (1) to 8 Nm.
- Refit the rubber bungs.

##### Standard adapter

To change the seat height:

- Remove the rubber bungs, (3) situated in the groove to the rear of the axle stem.
- Release the Allen screws (1) with an Allen key. Position axle bracket (2) on the axle stem (4) according to the desired seat height (Fig.6.4.3).
- Re-tighten the Allen screws (1) to 8 Nm.
- Refit the rubber bungs.

#### NOTE:

- An adjustment to the castor angle may be necessary when adjusting the rear seat height.
- In case the axle adapter was moved or removed whilst adjusting the seat height, wheel alignment and wheelbase width needs to be checked and if necessary, adjusted (please refer to the "Wheel Alignment" section).

#### CAUTION!

Some of the screws used during manufacturing are coated with thread-locking fluid (blue dot on the thread) and can only be adjusted up to 3 times before they need to be replaced by new thread-locking screws. Alternatively, the screws can be re-mounted using Loctite™ 243 threadlocker.

Fig.6.4.1

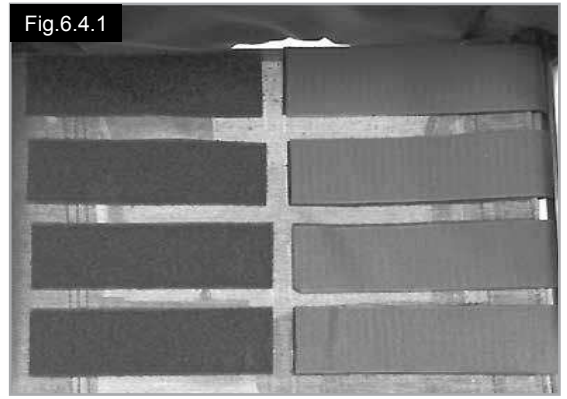


Fig.6.4.2

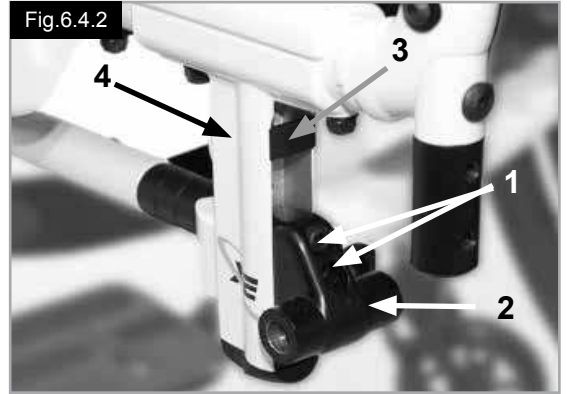
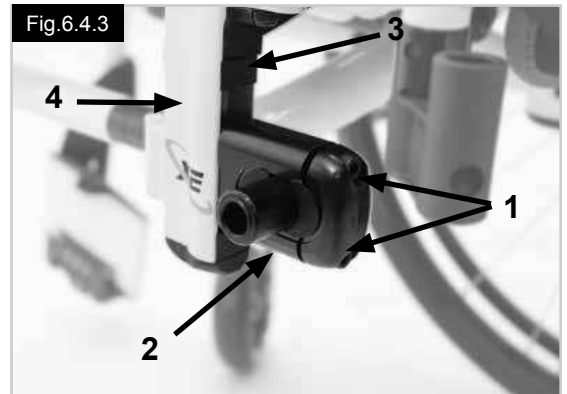


Fig.6.4.3



## COG, (Centre of Gravity), Setting

To carry out COG adjustment, there are basically 2 different options. Adjustment can be carried out directly on the axle bracket (Standard adapter only ) by shifting the crescent-shaped spacers from one side to the other. To make an adjustment in larger steps, you must change the position of the axle-stem on the frame.

### NOTE:

- COG Adjustments may lead to an unstable wheelchair, likely to tip. This requires the use of anti-tip tubes.
- An adjustment to the castor angle may be necessary when adjusting the COG.

### Changing the position of the axle stem

Using the quick-release axles, take the wheels out of the angle adapter.

Undo both screws (1) and remove these completely. Fit the axle stem in the desired position on the frame, put the screws back into the perforated plate and then re-tighten the screws. When moving the axle stem, also move the seat saddle on the frame, (change the axle stem and the seat saddle). Make sure that the left and right sides are fitted in the same positions. Use the given torque of 8 Nm (Fig.6.4.4 to Fig.6.4.5).

### COG setting on the standard axle bracket

Adjustment can be carried out directly on the the axle bracket (standard axle bracket only) by shifting the crescent-shaped spacers from one side to the other. 3 Positions are possible (Fig.6.4.6 to Fig.6.4.8). Using the quick-release axles, take the wheels out of the axle adapter (4). Release the Allen screws (1) with an Allen key. Take the lid (2) of the axle bracket off and arrange the crescent-shaped spacers (3) according to your desired COG. Put the lid back on and re-tighten the Allen screws (1) to 8 Nm.

**NOTE:** In case the axle adapter was moved or removed whilst adjusting the COG, wheel alignment and wheelbase width needs to be checked and if necessary, adjusted (please refer to the "Wheel Alignment" section).

Fig.6.4.4

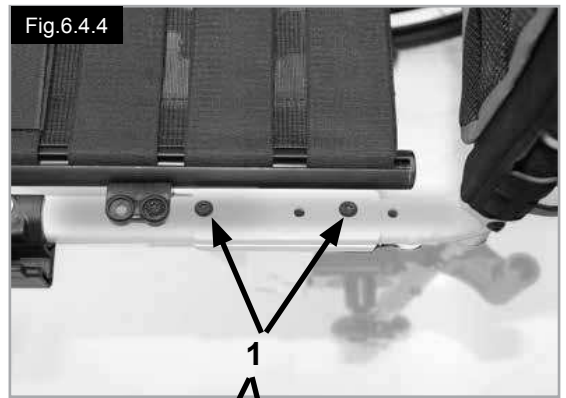


Fig.6.4.5



Fig.6.4.6

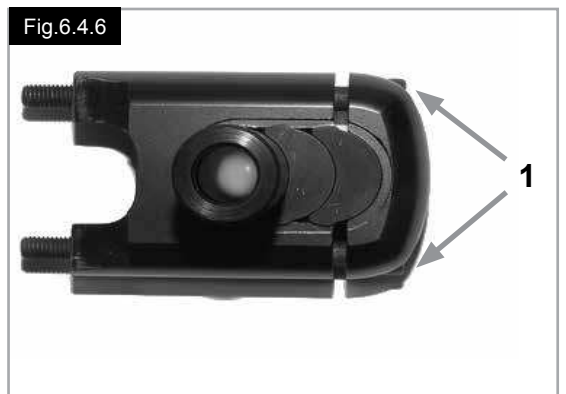
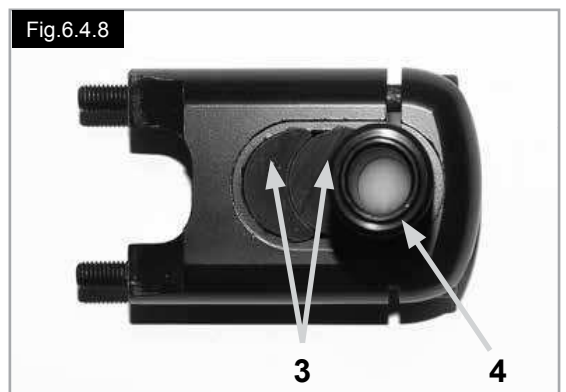


Fig.6.4.7



Fig.6.4.8



## 6.5 Castors

### Setting the Castor, Castor adapter & Castor fork

If the wheelchair veers slightly to the right or left, or the castors flutter, it may be caused by one or more of the following:

- Forward and/or reverse wheel motion has not been set properly.
- The castor angle has not been adjusted properly.
- Castor and/or rear wheel air pressure is incorrect; the wheels do not turn sufficiently freely.

The optimum adjustment of the castors is required so that the wheelchair runs in a straight line.

Castors should always be adjusted by an authorised dealer. The castor plates must be re-adjusted, and the wheel receiver must be checked every time the rear wheel position has been altered.

### Adjusting the castor

To ensure that both forks are set parallel, simply count the teeth visible on both sides. After setting the castor fork, the teeth will guarantee a secure position, allowing an adjustment of 16° in 2° increments, (Fig.6.5.1).

Use the flat side on the front of the castor fork to check for a right-angled position to the ground.

The patented design allows the castor fork to be turned, so that it can be reset at right-angles to the ground when the seat angle is changed.

### Setting the directional stability

Release the Allen screws (1) on the underside of the fork. You can then remove the screws (2). You can now turn the black socket (3) left or right.

Left – chair pulls to the left

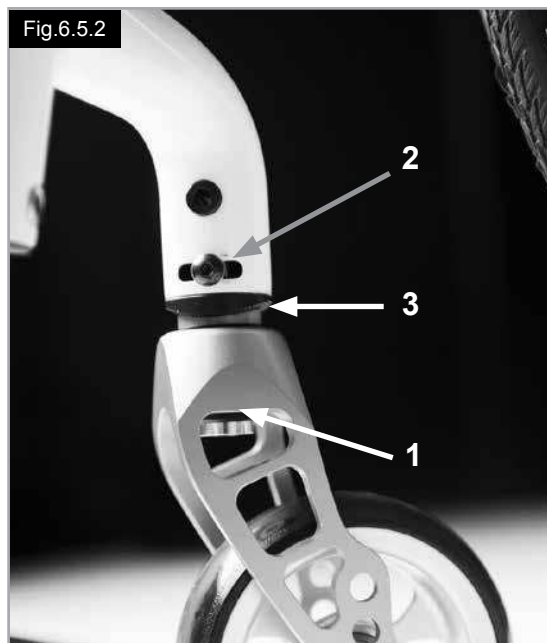
Right – chair pulls to the right

Then re-tighten the screw (2). Please set a 90° angle from the fork to the floor.

Then re-tighten the screw (1). (Fig.6.5.2).

### CAUTION!

Some of the screws used during manufacturing are coated with thread-locking fluid (blue dot on the thread) and can only be adjusted up to 3 times before they need to be replaced by new thread-locking screws. Alternatively, the screws can be re-mounted using Loctite™ 243 threadlocker.



## 6.6 Backrests

To adjust the back angle, please undo the Allen screw (1) and remove it. Set the desired position and then refit the Allen screw in this position and tighten it to the given torque. (Fig.6.6.1).

### Folding backrest

To make it easier to transport the wheelchair, the top half of the backrest can be folded down.

To do this, press both levers (1) and fold the backrest down.

When folding the backrest back up, please make sure that both sides are firmly interlocked (Fig.6.6.2 to Fig.6.6.3).

### WARNING!

- Risk of injury: do not get your fingers caught in the folding back mechanism.

### Adjustable back sling

The adjustable back sling can be adjusted for tension by using several straps, (Fig.6.6.4).

### Height-adjustable backrest

The backrest may be set to various back heights, in 2.5 cm steps (4 adjustment ranges: 25-30 cm, 30-40 cm, 40-45 cm and 45-47,5cm).

Remove the side pads of the upholstery and if necessary the backrest belt covering the screws.

Release the screw (1) and set the backrest to the desired height, then tighten the screws again, (Fig.6.6.5).

See the page on torque.

### CAUTION!

**Please take into account the altered centre of gravity when setting the angle of the backrest.**

## 6.7 Headrests

### Headrests

The headrest (Fig. 6.7.1) can be raised and moved horizontally both forwards and backwards.

To do this, loosen the screw (1,2 or 3).

Now you can adjust to the desired position. Tighten screws again (see the page on torque).

Fig.6.6.1

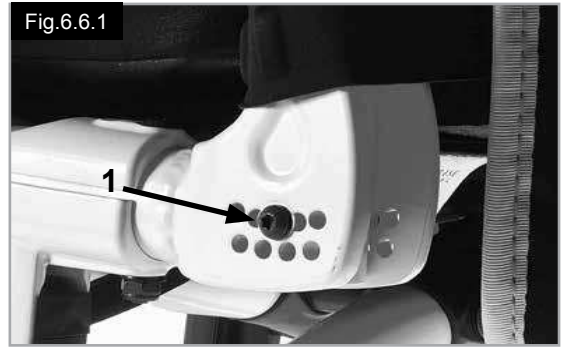


Fig.6.6.2



Fig.6.6.3



Fig.6.6.4



Fig. 6.6.5

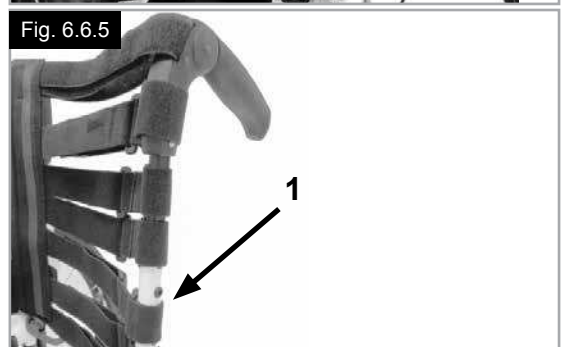


Fig.6.7.1





## 6.8 Wheel Alignment

### Adjusting the wheel alignment

**NOTE:** To achieve the very best movement, the rear wheels must be adjusted to their optimum position, which means correctly adjusting the wheel alignment. To do this, measure the distance between both wheels front and rear to ensure that they are parallel to one another. The difference between both measurements should not exceed 5 mm. The parallel setting can be adjusted by loosening the screws, (1) and rotating the axle adapter (3). When finished, make sure that all screws have been properly tightened, (Fig.6.8.1 to Fig.6.8.2). Re-tighten the allen screws to 8 Nm.

#### **WARNING!**

Be careful, there is a risk of tipping when adjusting the centre of gravity of the seat!

### Adjusting the rear wheelbase width

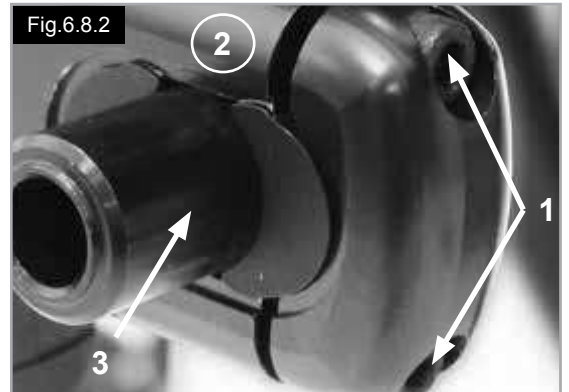
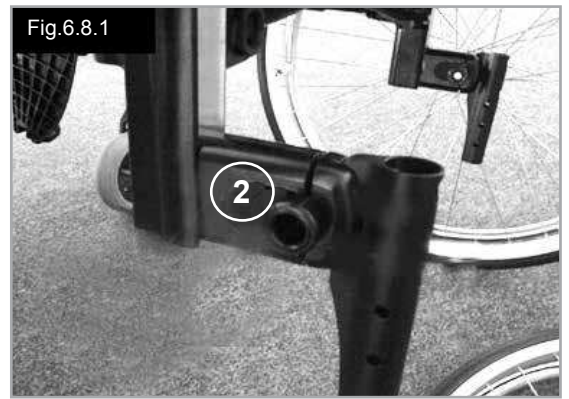
The rear wheelbase is defined as the distance between the upper side of the rear wheels and the backrest tubes and is factory set, (1.25 cm). This must be increased if more space is to be created between the tyres and the optional height-adjustable armrests.

When adjusting the rear wheelbase:

- Move the axle adapter (3), in a telescopic manner into the axle bracket (2), or out of the axle bracket.
- Loosen the Allen screw, (1), on the rear of the axle bracket.
- Move the axle adapter, (3), in or out, until the desired wheelbase is achieved.
- Tighten the screws to 8 Nm.
- Repeat the procedure on the right side of the wheelchair setting the gap the same as for the left side, (Fig.6.8.1 to Fig.6.8.2).

#### **CAUTION!**

- When adjusting the rear wheelbase, set first one wheel and then the other.
- Wheel alignment needs to be checked and, if necessary, adjusted after the axle adapter was moved or removed (please refer to section, ("wheel alignment").



## 6.9 Side-guards

### 1. Fitting

- a. Push the outer armrest rails down into the receiver which is mounted on the wheelchair frame.
- b. The armrest will automatically lock into place.

### 2. Height adjustment

- a. Turn the release lever for height adjustment (2) to the second stop point.
- b. Push the armpad up or down to reach the desired height.
- c. Set the lever back to the interlocked position against the armrest rails.
- d. Push the armpad (4) until the rails click into place securely.

### 3. Remove the armrest

- a. Operate the lever 3 and lift the whole arm.

### 4. Insert armrest

- a. Put the armrest back in the receiver, until the arm clicks into place.

## Mounting Components For The Armrest Receiver

### Adjusting the armrest receiver

To tighten or loosen the fit of the outer armrest rails in the receiver:

1. Loosen the four set screws for the receiver (D) on the sides of the receiver.
2. Leave the armrest in the receiver (E) and push the receiver together, until the desired adjustment is achieved.
3. Tighten the four screws (D). (144 in-lbs, 16.3 Nm)

### Position adjustment

1. Loosen the two clamp screws (10) until the clamp is loose.
  2. Push the armrest receiver to the desired position.
  3. Tighten.
- (Fig.6.9.1 to 6.9.4).

1. Outer armrest rails
2. Height adjustment of the locking lever
3. Locking lever
4. Armrest pad
5. Transfer bar
6. Side-guard
7. Receiver
8. Adjustment clamp
9. Parts to adjust the receiver
10. Clamp screws

Fig.6.9.1

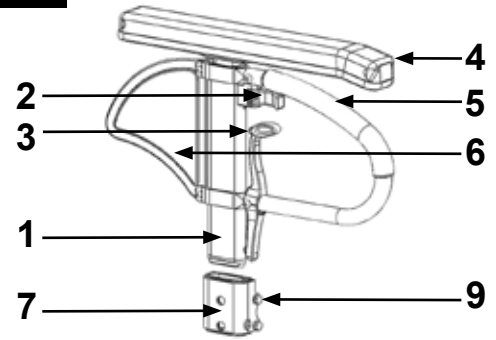


Fig.6.9.2

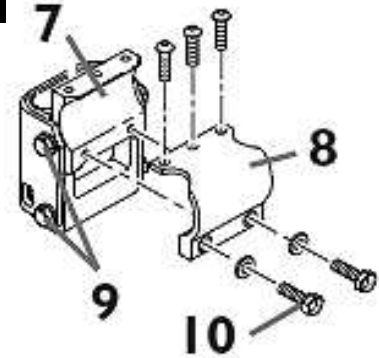


Fig.6.9.3

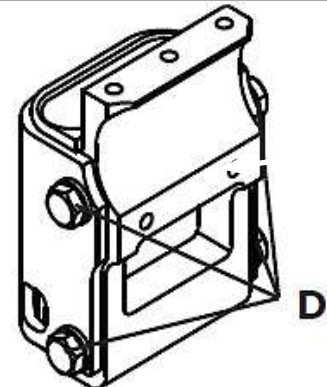
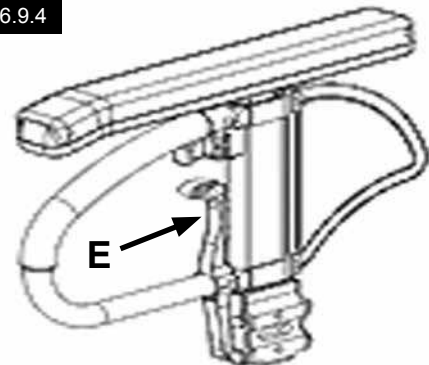


Fig.6.9.4





## Side-guards (continued)

### Side-guard with clothes protector

The clothes protector prevents clothes getting dirty from spray water, (Fig.6.9.5).

You can set the position in relation to the rear wheel by moving the side-guard.

To do this, remove the screws (1 and 2).

After setting to the desired position, re-tighten the screws (see the page on torque).

#### **WARNING!**

Neither the side-guards nor the armrests are to be used for lifting or carrying the wheelchair.

## 6.10 Push Handles

### Height-adjustable push handles

These handles are secured with pins to prevent them from sliding out unintentionally. By releasing the tension lever (1) the height of the push handles (2) can be set individually. If the lever is moved, listen to make sure that it clicks into place. The push handle can easily be set to the desired position. The nut on the tension lever determines how tightly the push handles are clamped into place. If the nut is loose after adjusting the tension lever, the push handle will also be too loose. Turn the push handle from side to side before use to make sure that it is clamped into place securely. After adjusting the handle height, always clamp the tension lever (1) securely into place. If the lever is not secure, injuries could result when ascending stairs. (Fig.6.10.1).

#### **CAUTION!**

If the height-adjustable push handles are not fitted properly, there is a risk that these will develop "play" or that they move out of position. Please make sure that the relevant screws are tightened correctly.

### Folding push-handles

If the folding push handles are not required, they can be flipped downwards by pushing the button (1). When they are required again, flip the push handles up, until they click into place. (Fig.6.10.2).

Fig.6.9.5

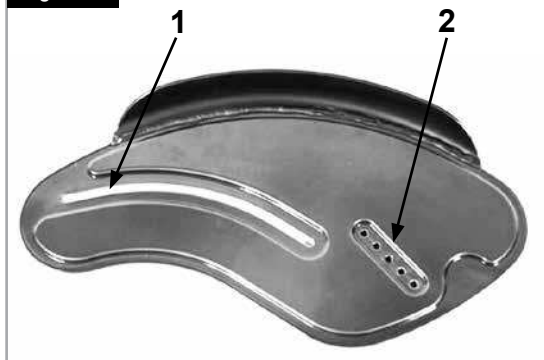


Fig.6.10.1

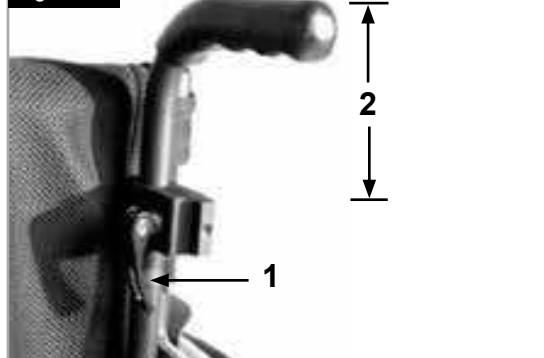
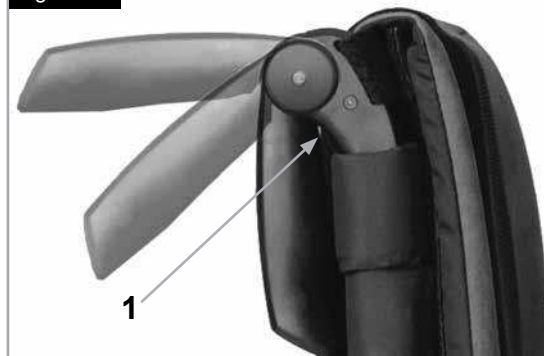


Fig.6.10.2



## 6.11 Crutch Holder

### Crutch holder

This device permits crutches to be transported directly on the wheelchair. It has a Velcro loop to fasten crutches or other aids, (Fig.6.11.1).

#### WARNING!

Never try to use or remove the crutches or other aids while moving.

## 6.12 Anti-Tip Tubes

#### WARNING!

Sunrise Medical recommends anti-tip tubes are fitted for all chairs.

When fitting anti-tip tubes, use a torque of 7 Nm.

Anti-tip tubes prevent the wheelchair from tipping backwards, providing additional safety for new users and for users familiarising themselves with the operation of the wheelchair.

### Plug in Type

#### Slotting the anti-tip tubes into the clamp

- Press the rear button on the adapter for the anti-tip tube in such a way that both release pins are pulled inwards.
- Slot the anti-tip tubes (1) into the anti-tip tube adapter.
- Rotate the anti-tip tubes downwards, until the release pin clicks into place in the clamp.
- Fit the second anti-tip tube in the same way.

#### Adjusting the anti-tip tubes

To achieve the correct ground clearance of approximately 1" to 2" (2.5 cm to 5.0 cm), the anti-tip tubes must be set higher or lower:

- Push the release lever for the anti-tip tube in such a way that both release pins are pulled inwards.
- Move the inner tube upwards or downwards in the height-adjustment holes.
- Release the button.
- Fit the second anti-tip tube in the same way.
- Both wheels must be at the same height. (Fig.6.12.1).

Fig.6.11.1



Fig.6.12.1

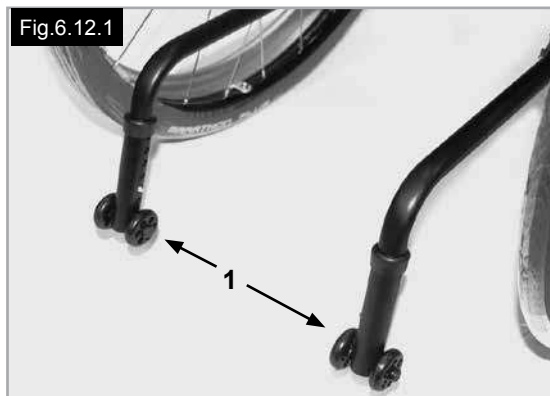


Fig.6.12.2



### Swing-away Type

Push down on the top of the anti-tip tube, (1), to bring them into position, (Fig.6.12.2).

A 30 - 50 mm gap should be maintained between the anti tip wheels and the ground.

The anti-tips can also be swung into a forwards position. The anti-tips must always be in the forward position when negotiating large obstacles, (such as kerbs), to prevent them from interfering with the manoeuvre.

#### DANGER!

If the anti-tip tubes are not fitted, or have been fitted incorrectly, there is a risk of tipping over and of injury.

## 6.13 Stabilising Bar

### Folding stabilising bar

This bar is used to stabilise the backrest. To be able to fold the wheelchair, the release lever must be pushed inwards (Fig.6.13.1) or released and the stabilising must be flipped downwards.

When unfolding the wheelchair, please make sure that the stabilising bar is locked into position.

## 6.14 Transit Wheels

### Transit wheels

Transit wheels should be used whenever your wheelchair would be too wide if the rear wheels were fitted, (Fig.6.14.1).

After the rear wheels have been removed with the aid of the quick-release axles, the transit wheels can immediately be used to continue riding, (Fig.6.14.2). The transit wheels are mounted so that they are approximately 3 cm above the ground when not in use. They are therefore, out of the way when riding, transporting, or when tipping to pass over obstacles.

### DANGER!

- Without rear wheels, your wheelchair has no wheel locks.
- There is a risk of the chair tipping backwards.



Fig. 6.14.1



Fig. 6.14.2



## 6.15 Pelvic Restraint Belt

### WARNINGS!

- Before using the wheelchair make sure that the pelvic restraint belt is fitted.
- The pelvic restraint belt must be checked on a daily basis to ensure it is free from any obstruction or adverse wear.
- Always make sure that the pelvic restraint belt is correctly secured and adjusted prior to use.

### DANGER!

If the strap is too loose, this could cause the user of the wheelchair to slip down and risk suffocation or serious injury.

The pelvic restraint belt is fitted to the wheelchair as shown in Fig.6.15.1 to Fig.6.15.10. The seat belt comprises two halves. They are fitted using the existing seat stay retaining bolt fitted through the eyelet on the belt. The belt is routed under the rear of the side panel. (Fig.6.15.1).

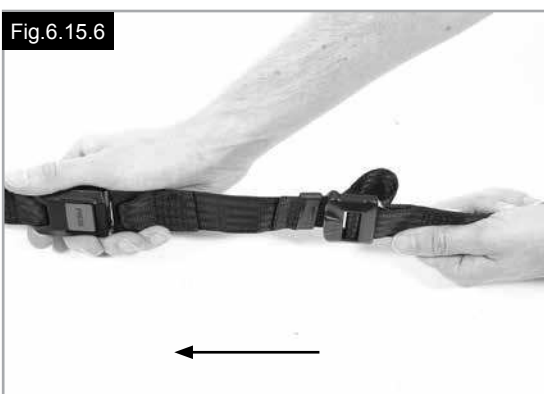
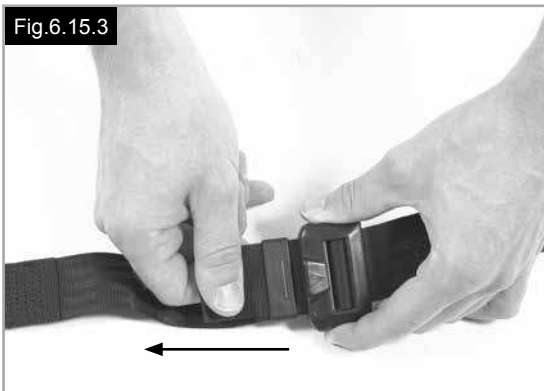
Adjust the pelvic restraint belt to suit the user's needs as follows:

Adjust the belt position so buckles are in the centre of the seat. (Fig.6.15.2).

Feed free belt back through male buckle and slide adjusters.

Ensure belt is not looped at male buckle, (Fig.6.15.3).

Feed free belt through slide adjusters and male buckle to provide more belt length, (Fig.6.15.4 to Fig.6.15.6).





## Pelvic Restraint Belt continued

When fastened check space between the pelvic restraint belt and user. When correctly adjusted it should not be possible to insert more than the flat of the hand between the pelvic restraint belt and the user, (Fig.6.15.7).

The pelvic restraint belt should be fixed so that the belt sits at an angle of 45 degrees across the user's pelvis. The user should be upright and be as far back as possible in the seat when correctly adjusted. The pelvic restraint belt should not allow the user to slip down in the seat, (Fig.6.15.8).

### To fasten buckle:

Firmly push male buckle into female buckle, (Fig.6.15.9).


### To release buckle:

Press the RED button in the centre of the buckle then pull the two halves gently apart, (Fig.6.15.10).

**NOTE:** If you have any questions on the use and operation of the pelvic restraint belt, the please contact your wheelchair dealer, carer or attendant.

### WARNINGS!

- The pelvic restraint belt must only be fitted or adjusted by an approved Sunrise Medical dealer / agent.
- The pelvic restraint belt must be checked on a daily basis to ensure it is adjusted correctly and free from any obstruction or adverse wear.
- Sunrise Medical does not recommend the transportation of a person in a vehicle with the pelvic restraint belt as a restraint system.

 See the transit brochure from Sunrise Medical for further information on transportation.

### Maintenance:

Check pelvic restraint belt, and securing components, at regular intervals for any sign of frays or damage. Depending on usage, it may need to be replaced.

### WARNING!

The pelvic restraint belt should be adjusted to suit the end user as detailed above Sunrise Medical also recommends that the length and fit of the belt is checked on a regular basis to reduce the risk of the end user inadvertently re-adjusting the belt to an excessive length.

Fig.6.15.7



Fig.6.15.8

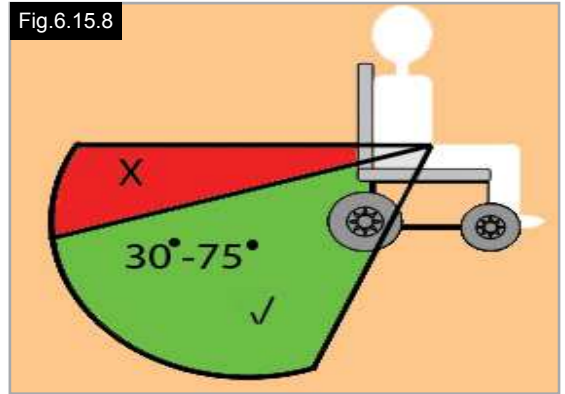


Fig.6.15.9



Fig.6.15.10



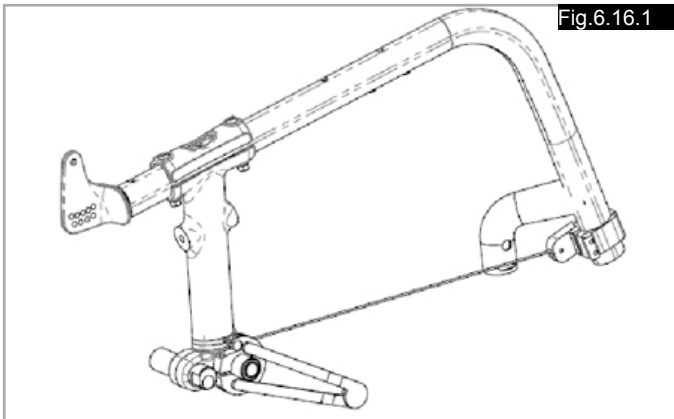
## 6.16 Hand-Bike Axle

### Hand-Bike-Axle

It is necessary to adjust the hand-bike axle to bias the centre of gravity rearwards. This allows safe use of a hand-bike accessory, (Fig.6.16.1).

#### DANGER!

- Using a hand-bike without the hand-bike axle makes the wheelchair unstable and can lead to serious injury of the user and other people.
- Only use add-on devices approved for the use in combination with your wheelchair.



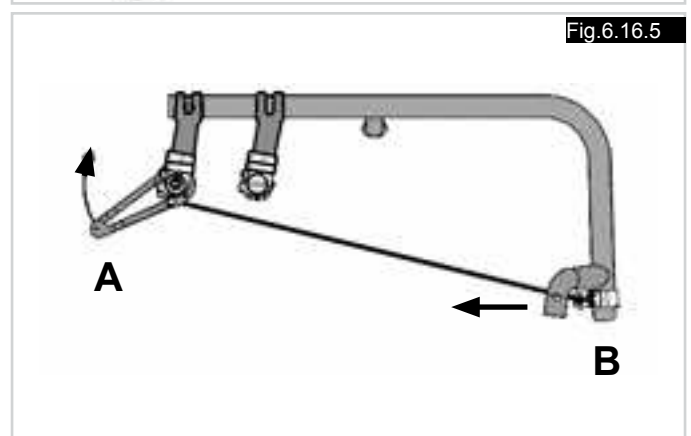
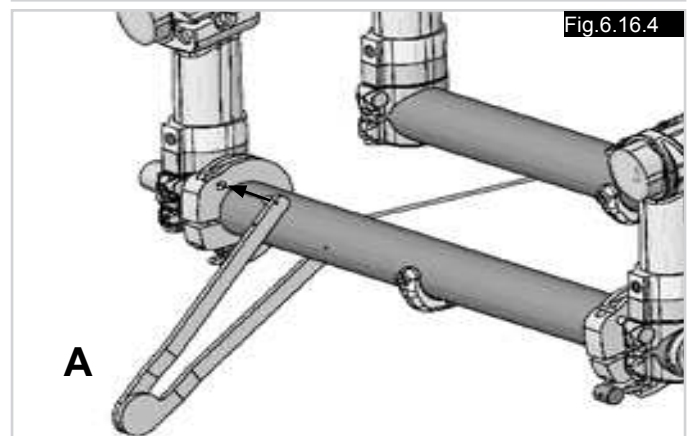
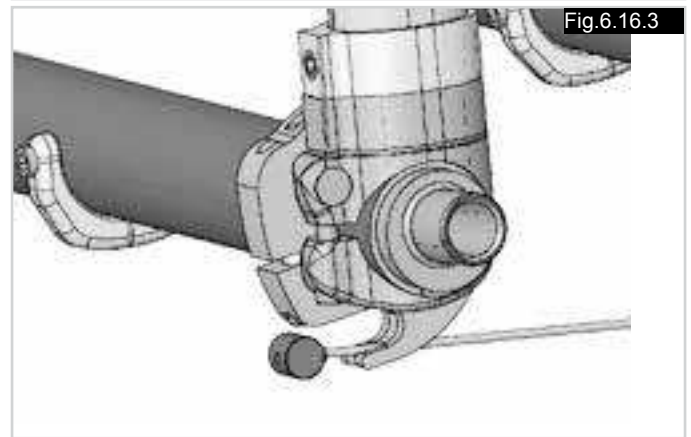
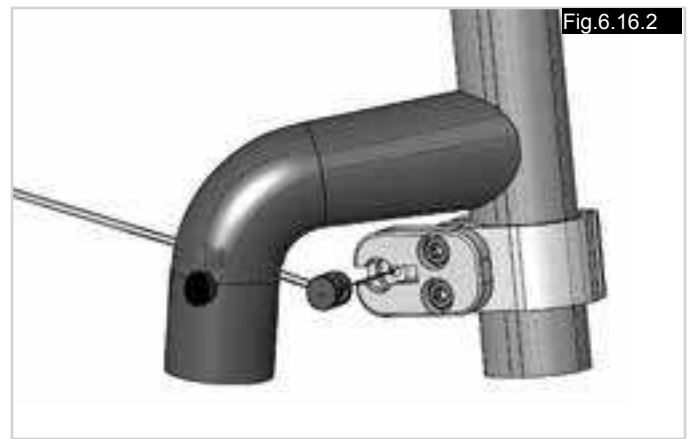
### Hand-Bike Reinforcement Kit

To assemble the hand-bike reinforcement kit:

- Insert the nipple at one end of the cable into the receptor at the front of the frame, (Fig.6.16.2).
- Insert the nipple at the other end of the cable into the receptor at the rear of the frame, (Fig.6.16.3).
- Insert the tensioner tool, (A), into the cable receptor at the rear of the frame, (Fig.6.16.4).
- Move the tensioner tool, (A), upwards until the receptor and the front tube, (B), just starts to move towards the rear, (Fig.6.16.5).
- Hold the cable under tension with the tensioner tool and tighten the screw on the rear cable receptor, (Fig.6.16.5).
- Repeat the process for the other side.

#### WARNING!

The tension of both cables must be checked for tightness before and after each use of the hand-bike.





## 7.0 Daily Checks

### CAUTION!

As the user, you are the first person to notice any possible defects. We therefore recommend that before each use, you check the items in the following list:

- Check for correct tyre pressures
- Check that the wheel locks work correctly
- Check that all removable parts are secure, e.g. armrest, footrest, quick-release axle etc.
- Check for visible damage e.g. on the frame, backrest, seat sling and back sling, wheels, footplate etc

If there is any damage or malfunction, please contact your authorised dealer.

## 8.0 Tyres and Mounting

### WARNING!

Always make sure that you maintain the correct tyre pressure (min. 3.5 bar) as this can have an effect on wheelchair performance.

If the tyre pressure is too low, rolling resistance will increase, requiring more effort to move the chair forward. Low tyre pressure also has a negative impact on manoeuvrability.

### WARNING!

If the tyre pressure is too high, the tyre could burst.

The correct tyre pressure for a given tyre is printed on the surface of the tyre (min. 3.5 bar).

Tyres can be mounted the same way as an ordinary bicycle tyre.

Before installing a new inner tube, you should always make sure that the base of the rim and interior of the tyre are free of foreign objects.

Check the pressure after mounting or repairing a tyre. It is critical to your safety and to the wheelchair's performance that regulation air pressure be maintained and that tyres are in good condition.

## 9.0 Maintenance and Care

- Check the tyre pressure every 4 weeks. Check all tyres for wear and damage.
- Check the wheel locks approximately every 4 weeks to make sure that they are working properly and are easy to use.
- Change tyres as you would an ordinary bicycle tyre.
- All of the joints that are critical to using your wheelchair safely are self-locking nuts. Please check every three months to make sure that all bolts are secure (see the section on torque). Safety nuts should only be used once and should be replaced after use.
- Please use only mild household cleansers when your wheelchair is dirty. Use only soap and water when cleaning the seat upholstery.
- If your wheelchair should ever get wet, please dry it afterwards.
- A small amount of sewing-machine oil should be applied to quick-release axles approximately every 8 weeks. Depending on the frequency and type of use, we recommend taking your wheelchair to your authorised dealer every 6 months to have it inspected by trained personnel.
- Exclusively use genuine Sunrise Medical spare parts. Never use third-party parts that are not approved by Sunrise Medical.

### CAUTION !

**Sand and sea water (or salt in the winter) can damage the bearings of the front and rear wheels. Clean the wheelchair thoroughly after exposure.**

The following parts can be removed and sent back to the manufacturer/dealer for repair:

#### **Rear wheels-Armrest-Footrest holder-Anti-Tip tubes**



These components are available as spare parts. For further information, please see the spare parts catalogue.

## Maintenance and Care continued

### Hygiene measures when being re-used:

Prior to the wheelchair being re-used, it must be carefully prepared.



**WARNING!**

All surfaces which come into contact with the user must be treated with a disinfection spray.

To do this, you must use a disinfectant from the DGHM list, e.g. Antifect Liquid (Schülke & Mayr) for rapid alcohol-based disinfection for medical products and medical devices, which must be disinfected quickly.

Please take into account the manufacturer's instructions for the disinfectant you are using.

In general, a complete disinfection cannot be guaranteed on seams. We therefore recommend that you dispose of seat and back slings to avoid microbacterial contamination with active agents according to § 6 infection protection law.

## 10.0 Troubleshooting

### Wheelchair pulls to one side

- Check tyre pressure
- Check to make sure wheel turns easily (bearings, axle)
- Check the castor angle
- Check to make sure both castors are making proper contact with the ground

### Castors begin to wobble

- Check the castor angle
- Check to make sure all bolts are secure; tighten if necessary (see the section on torque)
- Check to make sure both castors are making proper contact with the ground

### Wheelchair squeaks and rattles

- Check to make sure all bolts are secure; tighten if necessary (see the section on torque)
- Apply small amount of lubrication to spots where movable parts come in contact with one another

### Wheelchair begins to wobble

- Check angle at which castors are set
- Check tyre pressure
- Check to see if rear wheels are adjusted differently.

## 11.0 Disposal / Recycling of Materials

**NOTE:** If the wheelchair has been made available to you as part of a charity or medical loans scheme, then it may not belong to you. If it is no longer required, then follow the instructions to return it as given by the organisation that made the wheelchair available to you.

In the following section, there is a description of the materials used on the wheelchair, in view of the disposal or recycling of the wheelchair and its packaging. There may also be special local regulations in force with regard to disposal or recycling, these must be taken into account when disposing of your wheelchair. (This can include the cleaning or decontamination of the wheelchair prior to disposal).

**Aluminium:** Castor forks, wheels, chair sideguards, armrest frame, footrest, push handle

**Steel:** securement points, quick-release axle

**Plastic:** Handles, tube stoppers, castors, footplates, armpads and tyres

**Packaging:** Plastic bags made of soft polyethylene, cardboard

**Upholstery:** Polyester fabric with PVC coating and highly-flammable foam.

Disposal or recycling should be carried out by a disposal company or at a public disposal point. You can also return your wheelchair to your dealer for disposal.



## 12.0 Nameplate

The nameplate is located on either the cross-tube assembly or the transverse frame tube, as well as on a label in the owner's manual. The nameplate indicates the exact model designation and other technical specifications. Please provide the following pieces of information whenever you have to order replacement parts or to file a claim:

- Serial number
- Order number
- Month/Year

[SAMPLE]



**Xenon FF**  
XXXXX-XXX

Product Name/SKU Number.



Maximum safe slope with anti-tips fitted, Depends on wheelchair setting, posture and physical capabilities of the user.



Seat width.



Depth (maximum).



Load Maximum.



CE Mark



User's Guide.



Not Crash Tested

XX.XX.XXXX

Date of manufacture.

SN RELXXXXXXXX

Serial number.

## 13.0 Technical Specifications

### Overall width:

- With standard wheels including hand rims, close mount:
- in combination with aluminium side guard: SW + 170 mm
- in combination with plastic clothes protector: SW + 190 mm
- With extra-narrow hand rim fitting, overall width is reduced by 20 mm.
- With standard wheels including hand rims and 4° camber: SW + 250 mm

### Overall length:

910 mm with SD 480 mm

### Overall height:

1120 mm with BH 450 mm

### Weight in kg:

- Overall from 8.8 kg
- Transportation (without footrest, wheels, side guard) 6.3 kg
- Side guard (unit) 1.3 kg
- Wheels (unit) 2.2 kg

### Maximum weight limit:

Xenon up to a load of 110 kg or 140kg, depending on frame version.

### Seat heights:

The choice of frames, forks and castors as well as the size of the rear wheel (610mm (24")), (635mm (25")); determines what seat heights are possible.

### The wheelchair conforms to the following standards:

1. Requirements and test methods for static, impact and fatigue strengths (ISO 7176-8)
2. Flammability resistance of upholstered parts in accordance with ISO 7176-16 (EN 1021-1/2)

## Avant-propos

### Chère cliente, cher client,

Vous avez choisi un produit de SUNRISE MEDICAL de grande qualité. Nous nous en réjouissons.

Ce manuel d'utilisation vous fournira de nombreux conseils et suggestions de sorte que votre produit deviendra pour vous un partenaire familier digne de confiance.

Pour Sunrise Medical, être proche du client est une priorité. C'est pourquoi, nous tenons à vous tenir informé de toutes nos nouveautés, actuelles et à venir. Être proche de nos clients signifie, assurer un service rapide, avec le moins de formalités administratives possible et entretenir une bonne relation avec eux. Que vous souhaitiez commander des pièces de rechange ou des accessoires, ou encore poser des questions concernant votre fauteuil, nous sommes à votre service.

Notre objectif est que vous soyez satisfait de nos services. Chez Sunrise Medical, nous travaillons en permanence au développement de nos produits. Ainsi, des modifications quant à la forme, à la technique et à l'équipement peuvent être apportées à notre gamme de produits. Aucune réclamation ne pourra donc être adressée au sujet des informations et illustrations de ce manuel d'utilisation.

**Le système de gestion de SUNRISE MEDICAL est certifié DIN EN ISO 9001, ISO 13485 et ISO 14001.**



**En sa qualité de fabricant, SUNRISE MEDICAL, déclare que les fauteuils légers sont conformes à la directive 93/42/CEE 2007/47/EEC.**

Adressez-vous à notre service après-vente SUNRISE MEDICAL, compétent et agréé, pour toute question concernant l'utilisation, la maintenance ou la sécurité de votre fauteuil roulant.

S'il n'y a aucun revendeur près de chez vous ou si vous avez des questions, contactez-nous par courrier ou par téléphone à l'adresse suivante.

**Sunrise Medical S.A.S**  
**ZAC de la Vrillonnerie**  
**17 Rue Mickaël Faraday**  
**37170 Chambray-Lès-Tours**  
**Tel : + 33 (0) 247554400**  
**Fax : +30 (0) 247554403**  
**www.sunrisemedical.fr**

### IMPORTANT :



**N'UTILISEZ PAS VOTRE FAUTEUIL AVANT D'AVOIR LU ET COMPRIS CE MANUEL.**

## Utilisation

Les fauteuils roulants sont exclusivement destinés aux utilisateurs dans l'incapacité de marcher ou à mobilité restreinte et pour leur propre usage, qu'ils soient capables de faire avancer leur fauteuil seuls ou qu'ils soient poussés par une tierce personne (un accompagnateur), à leur domicile et à l'extérieur.

**La charge maximale (à savoir le poids de l'utilisateur et des accessoires éventuellement embarqués) est indiquée sur la plaque signalétique apposée sur le croisillon ou sur la barre de stabilisation, en dessous du siège.**

La garantie n'est valable que si le produit est utilisé dans les conditions spécifiées et pour l'usage pour lequel il est prévu.

La durée de vie prévue pour ce fauteuil est de cinq années.

SEULES LES PIÈCES STANDARD et les pièces officiellement autorisées par Sunrise Medical peuvent être utilisées.

### Champ d'application.





De par la diversité des options et sa conception modulaire, ce fauteuil convient pour les personnes dans l'incapacité de marcher ou à mobilité restreinte, suite à :

- Une paralysie
- La perte d'un membre (amputation de la jambe)
- Un problème/la difformité d'un membre
- Des contractures/blessures aux articulations
- Une maladie, comme une déficience cardiaque et circulatoire, trouble de l'équilibre ou cachexie, et pour les personnes âgées ayant assez de force dans le haut du corps.

Sélectionner le bon fauteuil nécessite de prendre en compte des éléments tels que la taille de l'utilisateur, son poids, sa constitution physique et psychologique, son âge, son mode de vie et son environnement.

Avant-propos	36
Utilisation	36
Champ d'application.	36
1.0 Consignes de sécurité et de conduite	38
2.0 Transportabilité	41
3.0 Garantie	43
4.0 Manipulation	44
5.0 Roues à déverrouillage rapide	45
6.0 Options	45
6.1 Leviers de basculement	45
6.2 Freins	45
6.3 Repose-pieds	47
6.4 Assise	49
6.5 Roues avant	51
6.6 Dossiers	52
6.7 Appui-têtes	52
6.8 Alignement des roues	53
6.9 Protège-vêtements	54
6.10 Poignées de poussée	55
6.11 Porte-canne	56
6.12 Roulettes anti-basculer	56
6.13 Tendeur de dossier	57
6.14 Roulettes de transit	57
6.15 Ceinture pelvienne	58
6.16 Support d'axe pour handbike	60
7.0 Contrôles quotidiens	61
8.0 Pneus et montage des pneus	61
9.0 Maintenance et entretien	61
10.0 Dépannage	62
11.0 Mise au rebut / Recyclage des matériaux	62
12.0 Plaque signalétique	63
13.0 Caractéristiques techniques	63

## 3.1 Définitions des termes employés dans le manuel

Terme	Définition
 <b>DANGER !</b>	Indication d'un risque potentiel de blessures sérieuses ou de mort en cas de non-respect des consignes
 <b>AVERTISSEMENT !</b>	Indication d'un risque potentiel de blessure en cas de non-respect des consignes
 <b>ATTENTION !</b>	Indication que le matériel peut être endommagé si le conseil fourni n'est pas suivi
<b>REMARQUE :</b>	Conseil d'ordre général ou pratique recommandée
	Référence faite à d'autres manuels

**REMARQUE :**

Il est possible que les fauteuils illustrés et décrits dans le présent manuel ne soient pas complètement identiques au modèle que vous avez acheté. Toutefois, toutes les instructions fournies dans le présent manuel sont valables pour votre matériel, malgré d'éventuelles différences minimales.

Le fabricant se réserve le droit de modifier sans préavis les poids, mesures et autres données techniques indiquées dans le présent manuel. Tous les chiffres, dimensions et capacités indiqués dans ce manuel sont approximatifs et ne constituent pas des caractéristiques.

**REMARQUE :**

Il vous est conseillé de noter dans l'encadré prévu ci-dessous les coordonnées du technicien chargé de votre service après-vente.

En cas de panne, contactez-le en lui donnant le plus d'informations possible sur la nature de la panne pour qu'il puisse vous aider efficacement et rapidement.

Tampon et signature du revendeur

## 1.0 Consignes de sécurité et de conduite

La conception et la construction du fauteuil sont réalisées pour garantir une sécurité maximale. A l'échelle internationale, toutes les exigences applicables en matière de normes de sécurité sont respectées, voire dépassées. Toutefois, l'utilisateur peut se mettre en situation de danger en utilisant son fauteuil de façon incorrecte. Pour votre sécurité, vous devrez impérativement respecter les consignes suivantes.

Les altérations ou réglages non professionnels ou erronés augmentent le risque d'accidents. En tant qu'utilisateur de fauteuil roulant, vous participez à la circulation publique, sur routes ou trottoirs. Vous êtes par conséquent tenu de respecter le code de la route.

Lors de votre première utilisation du fauteuil, roulez prudemment. Familiarisez-vous avec l'utilisation de votre nouveau fauteuil roulant.

Avant chaque utilisation de votre fauteuil, contrôlez impérativement :

- Les axes à déverrouillage rapide des roues arrière
- Le Velcro du siège et des accoudoirs
- Les pneus, la pression et les freins

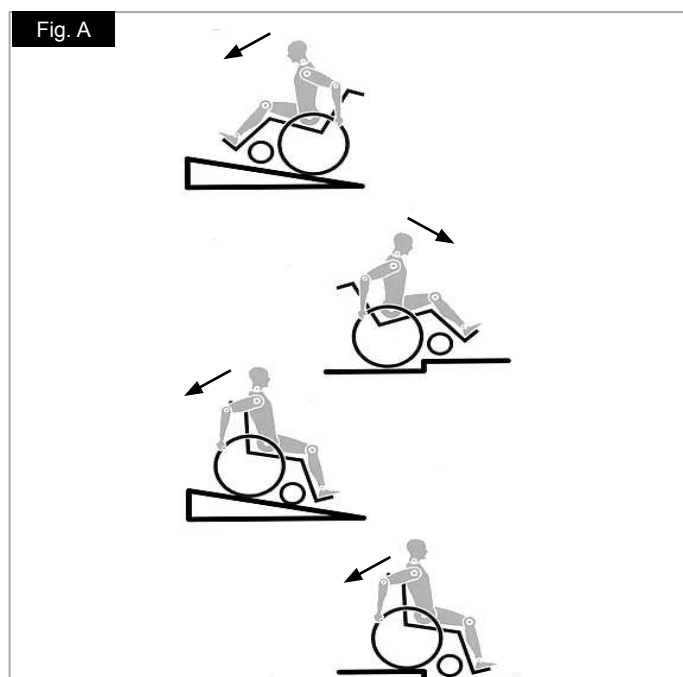


Avant de modifier un quelconque réglage, il est important de lire le paragraphe correspondant de présent manuel d'utilisation.

Des nids de poule ou un sol irrégulier peuvent faire basculer le fauteuil roulant lors de la montée ou de la descente des pentes. Si une marche ou une montée est abordée de face, le corps doit être incliné en avant.

### DANGER !

- Ne dépassez JAMAIS la charge maximale de 110 kg ou de 140 kg (selon le modèle) combinée entre l'utilisateur et tout autre accessoire éventuellement embarqué. Veuillez noter les informations relatives au poids pour les options plus légères, lesquelles sont indiquées séparément. Toute charge supérieure pourrait endommager le fauteuil ou vous faire basculer, perdre le contrôle et entraîner de graves blessures pour vous et toute autre personne.



- Dans la mesure du possible, au cours d'un déplacement à bord d'un véhicule pour personnes handicapées, il est conseillé aux occupants de s'asseoir sur les sièges et d'utiliser le système de retenue approprié. C'est le seul moyen d'assurer une protection optimale aux occupants en cas d'accident. Si vous utilisez des éléments de sécurité proposés par SUNRISE MEDICAL et un système de sécurité spécifique, les fauteuils légers peuvent servir de siège pour le déplacement à bord d'un véhicule spécialement adapté. (Voir le chapitre sur "Transport").
- Pour éviter les chutes et situations dangereuses, il est recommandé de vous entraîner et de vous familiariser avec votre nouveau fauteuil sur une surface plane offrant une bonne visibilité.
- Le fauteuil roulant sert exclusivement au transport d'une seule personne à la fois. Toute autre utilisation n'est pas conforme à l'usage prévu du vélo.
- Pour monter et descendre du fauteuil, ne prenez pas appui sur les repose-pied. Il convient au contraire de les rabattre et de les pivoter vers l'extérieur le plus possible.
- Selon le diamètre et le réglage des roues avant, ainsi que le centre de gravité du fauteuil, les roues avant peuvent se mettre à vibrer à mesure que la vitesse du fauteuil augmente. Les roues avant risquent alors de se bloquer et le fauteuil de basculer. Il est donc essentiel de régler correctement les roues avant (voir le chapitre "Roues avant").
- Ne descendez pas une pente sans frein et avancez très lentement. Ce produit a été testé pour une vitesse maximale de 10 km/h. Au-delà de cette vitesse, selon la configuration et/ou le physique/les capacités physiques de l'utilisateur, les roues avant peuvent se mettre à osciller et éventuellement entraîner des blessures pour l'utilisateur.
- Monter ou descendre une pente latéralement augmente le risque de voir le fauteuil basculer sur le côté.
- Changer le centre de gravité peut avoir un impact sur le comportement du fauteuil dont vous devez être conscient. Il est recommandé de vous entraîner, par exemple en pente ou lors du franchissement d'obstacles. Familiarisez-vous avec les différents comportements en présence d'un accompagnateur.
- Il est recommandé aux utilisateurs inexpérimentés d'utiliser des roulettes anti-basculer.
- Les roulettes anti-basculer empêchent le fauteuil de basculer accidentellement vers l'arrière. En aucun cas, elles ne doivent remplacer les roulettes de transit et servir au transport d'une personne dans un fauteuil dont les roues arrière auraient été retirées.



- Avec des réglages extrêmes (comme les roues arrière en position la plus avancée possible) et une posture inadéquate, le fauteuil risque de basculer, même sur une surface plane.
- Lorsque vous franchissez des côtes et des marches, penchez votre corps plus en avant.
- Lorsque vous descendez des côtes et des marches, penchez votre corps plus en arrière.
- N'accrochez pas d'objets lourds (sac de courses ou sac à dos) aux poignées, à l'appui-tête ou au dossier du fauteuil.
- Cela peut modifier le point de bascule et faire basculer le fauteuil en arrière. Si vous souhaitez atteindre un objet (placé devant, derrière ou latéralement par rapport au fauteuil), évitez de trop vous pencher afin de ne pas modifier le centre de gravité et risquer de faire basculer le fauteuil.
- Utilisez toujours votre fauteuil de manière adéquate. Evitez par exemple de franchir des obstacles sans avoir préalablement ralenti (marche, bord de trottoir).
- Ne montez et descendez les escaliers que si vous êtes accompagné. Des équipements à cet effet sont à votre disposition, comme les rampes d'accès et les ascenseurs. Utilisez-les. En l'absence de tels équipements, deux personnes sont nécessaires pour faire basculer le fauteuil et lui faire franchir les marches une à une en le poussant.
- En général, en présence de roulettes anti-basculer, il convient de les régler de sorte qu'elles ne puissent heurter les marches, car cela pourrait entraîner une grave chute. Remplacez ensuite les roulettes anti-basculer à leur position normale.
- L'accompagnateur doit toujours tenir le fauteuil par les parties fixes et non pas par les parties amovibles, comme le repose-pied ou la protection latérale.
- Lors de l'utilisation d'une rampe d'accès, pensez à positionner les roulettes anti-basculer (le cas échéant) en dehors de la zone à risque.
- Immobilisez toujours votre fauteuil à l'aide des freins lorsqu'il se trouve sur une surface accidentée ou lorsque vous montez dessus ou en descendez.
- Pour les personnes amputées d'un ou des membres inférieurs, il est impératif d'utiliser les roulettes anti-basculer.
- Avant d'utiliser votre fauteuil, vérifiez la pression des pneus. Pour les roues arrière, la pression doit être au moins de 3,5 bars (350 kPa). La pression maximale est indiquée sur la jante des pneus.
- Le frein à débattement court ne fonctionne que si la pression des pneus est suffisante et si le réglage est correct (voir le chapitre Frein).
- Les freins d'immobilisation ne servent pas à ralentir le fauteuil. Ils empêchent votre fauteuil d'avancer involontairement. Quand vous vous tenez sur un terrain accidenté, utilisez impérativement vos freins d'immobilisation. Pensez toujours à actionner les deux freins simultanément, autrement votre fauteuil pourrait basculer.
- Les freins d'immobilisation ne sont pas destinés à ralentir un fauteuil en déplacement.
- Utilisez toujours les ascenseurs ou les rampes. S'il n'y en a pas, demandez à une tierce personne de vous aider. Ces personnes doivent saisir le fauteuil par les seules parties fixes du châssis. En présence de roulettes anti-basculer, il convient de les rabattre. Ne jamais soulever le fauteuil avec l'utilisateur assis dedans.
- Si les toiles du dossier et du siège sont abîmées, remplacez-les immédiatement.
- Ne soulevez pas le fauteuil en l'attrapant par les tubes du dossier, ni par les poignées.
- N'équipez le fauteuil d'aucun dispositif électronique, dispositif de mobilité électrique ou mécanique, vélo à main ou tout autre dispositif non approuvé susceptible de modifier l'usage prévu du fauteuil ou sa structure.
- L'ajout de dispositifs médicaux supplémentaires nécessite l'approbation de Sunrise Medical.
- Soyez très vigilants avec les risques d'incendie, surtout avec les cigarettes allumées. Les toiles du dossier et du siège peuvent prendre feu.
- Dans la mesure du possible, au cours d'un déplacement à bord d'un véhicule pour personnes handicapées, il est conseillé aux occupants de s'asseoir sur les sièges et d'utiliser le système de retenue approprié. C'est le seul moyen d'assurer une protection optimale aux occupants en cas d'accident. Si vous utilisez des éléments de sécurité proposés par SUNRISE MEDICAL et un système de sécurité spécifique, les fauteuils légers peuvent servir de siège pour le déplacement à bord d'un véhicule spécialement adapté. (voir le chapitre sur "Transport").
- Vérifiez que les axes à déverrouillage rapide des roues arrière sont bien réglés et verrouillés. Si le bouton de l'axe à déverrouillage rapide n'est pas enfoncé, vous ne pouvez pas enlever la roue arrière.
- Si vous utilisez une main courante métallique et freinez dans une longue pente ou pour réduire votre allure, le frottement peut chauffer la main courante et vous brûler les doigts.
- Si le fauteuil est exposé au soleil pendant une période prolongée, certaines parties du fauteuil (par ex. le châssis, les repose-jambes, les freins et le protège-vêtement) peuvent chauffer (>41 °C).
- Pour éviter de vous blesser aux mains, ne placez pas vos doigts entre les rayons ou entre la roue arrière et le frein de la roue lorsque le fauteuil est en déplacement.
- Lorsque vous utilisez votre fauteuil à l'extérieur, portez toujours des gants en cuir afin d'avoir une bonne prise et de protéger vos mains contre la saleté et la surchauffe.
- N'utilisez pas le fauteuil sur des pentes de plus de 10° d'inclinaison.
- Le degré d'inclinaison maximum des pentes dépend de la configuration du fauteuil, des capacités de l'utilisateur et du style de conduite. Les capacités de l'utilisateur et son style de conduite ne pouvant être prédéfinis, le degré d'inclinaison maximum des pentes ne peut être déterminé. Il revient donc à l'utilisateur, assisté de son accompagnateur, de déterminer l'inclinaison maximale afin d'éviter tout risque de basculement. Il est vivement recommandé d'installer des roulettes anti-basculer pour les utilisateurs inexpérimentés.

- N'utilisez pas le fauteuil sur des terrains boueux ou verglacés.
- N'utilisez pas le fauteuil dans des zones interdites aux piétons.
- Comme avec toutes les pièces amovibles, toute intervention présente le risque de se coincer les doigts. Manipulez le fauteuil avec précaution.
- N'utilisez pas le fauteuil sous une forte pluie, dans la neige, sur une chaussée glissante ou sur des surfaces accidentées.
- N'utilisez pas le fauteuil dans des environnements dangereux.

### **AVERTISSEMENT !**

**RISQUE D'ÉTOUFFEMENT** – Ce fauteuil est composé de petites pièces qui, dans certaines conditions, peuvent présenter un risque d'étouffement pour les jeunes enfants.

### **Remarque :**

- L'efficacité du frein et des caractéristiques de conduite générales dépend de la pression des pneus. Le fauteuil sera considérablement plus léger et plus facile à manœuvrer si les pneus des roues arrière sont correctement gonflés et ont la même pression.
- Vérifiez la sculpture des pneus.
- N'oubliez pas que lorsque vous vous déplacez au milieu de la circulation, vous devez respecter toutes les réglementations relatives au code de la route.
- Dans la pénombre, portez des vêtements clairs ou réfléchissants de sorte à être vu par les autres usagers de la route. Veillez à ce que les réflecteurs latéraux et arrière du fauteuil restent bien visibles. Il est également recommandé d'installer une lumière.
- Faites attention de ne pas vous pincer les doigts lorsque vous procédez à des réglages du fauteuil.
- Il est possible que les produits illustrés et décrits dans le présent manuel ne soient pas complètement identiques au modèle que vous avez acheté. Toutefois, toutes les instructions fournies dans le présent manuel sont valables pour votre matériel, malgré les éventuelles différences minimales.
- Le fabricant se réserve le droit de modifier sans préavis les poids, mesures et autres données techniques indiquées dans le présent manuel. Tous les chiffres, dimensions et capacités indiqués dans ce manuel sont approximatifs et ne constituent pas des caractéristiques.
- Tout réglage de votre fauteuil, en particulier le réglage des composants inhérents à la sécurité, comme le frein d'immobilisation ou le dossier, doit être réalisé par les revendeurs agréés.
- En présence de modules supplémentaires comme le kit vélo, le module électrique, etc., vérifiez que le fauteuil est équipé de la fourche appropriée pour une telle configuration.

### **Durée de vie**

- La durée de vie anticipée de ce produit est de 5 années.

## 2.0 Transportabilité

### DANGER !

Il y a risque de blessures sérieuses ou de mort si ce conseil n'est pas respecté.

Transport de votre fauteuil roulant dans un véhicule :

Un fauteuil roulant arrimé dans un véhicule n'assurera pas le même niveau de sécurité que les sièges du véhicule. Il est toujours recommandé que l'utilisateur soit transféré au siège du véhicule. Sunrise Medical reconnaît qu'il n'est pas toujours facile de transférer l'utilisateur et dans une telle situation où l'utilisateur doit être transporté tout en étant dans son fauteuil roulant, il convient de suivre les recommandations suivantes :

1. Faites vous confirmer que le véhicule est correctement équipé pour transporter un passager dans un fauteuil roulant, et assurez-vous que la méthode d'accès/de sortie est convenable pour votre type de fauteuil roulant. Le sol du véhicule doit être suffisamment résistant pour supporter le poids de l'utilisateur avec celui du fauteuil roulant et de ses accessoires.
2. Suffisamment d'espace doit être disponible autour du fauteuil afin d'avoir un accès facile pour attacher, serrer et détacher le fauteuil roulant et le dispositif de retenue de l'occupant et les ceintures de sécurité.
3. Le fauteuil doit être placé dans le sens de la marche et être ancré par les points d'arrimage et le système de retenue et de fixation (conforme à la norme ISO 10542 ou SAE J2249) conformément aux instructions du fabricant du système de retenue.
4. L'utilisation du fauteuil à bord d'un véhicule motorisé dans une position autre que celle préconisée n'a pas fait l'objet de tests, ainsi le positionnement latéral du fauteuil ne doit être envisagé en aucun cas (Fig. A).

5. Le fauteuil doit être sécurisé par un système d'arrimage conforme à ISO 10542 ou SAE J2249 avec sangles avant non-réglables et sangles arrière réglables, qui utilise typiquement des mousquetons/crochet en S et des boucles à ardillons. Ces dispositifs de retenue comprennent généralement 4 sangles individuelles qui sont attachées de chaque côté du fauteuil roulant.

6. Ce système d'arrimage doit être fixé au châssis principal du fauteuil roulant comme indiqué dans le schéma à la page suivante, et non pas à des accessoires ou à des points d'attache non prévus à cet effet, comme les rayons des roues, les freins d'immobilisation ou les repose-pied.

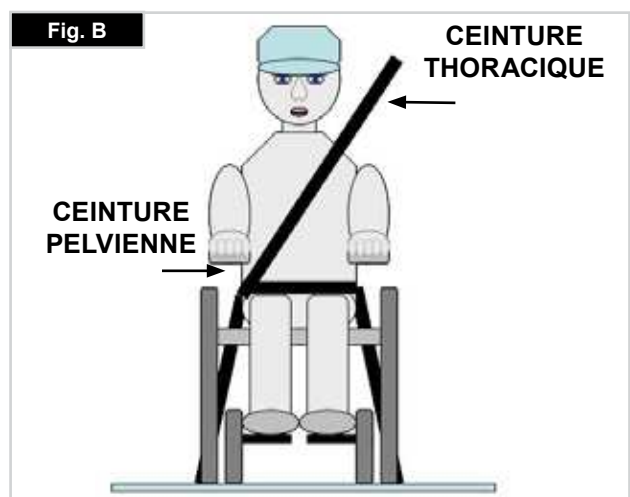
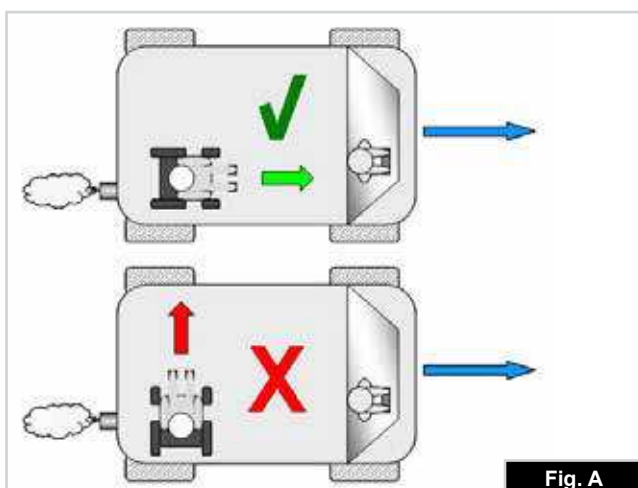
7. Le système de fixation doit être attaché le plus possible à un angle de 45° et tendu conformément aux indications du fabricant.

8. Ne modifiez et ne remplacez pas les points d'ancrage du fauteuil, ni les composants structurels sans avoir préalablement demandé l'avis du fabricant, à défaut de quoi le fauteuil Sunrise Medical ne sera pas conforme pour le transport à bord d'un véhicule motorisé.

9. Les deux ceintures de retenue au niveau du bassin et du torse supérieur doivent être utilisées pour retenir le passager afin de réduire la possibilité de choc de la tête ou du torse avec les composants du véhicule et de risques graves de blessures à l'utilisateur et tout autre occupant du véhicule. (Fig. B) La ceinture de retenue du torse supérieur doit être montée au pilier "B" du véhicule - ne pas respecter ceci augmente le risque de blessures abdominales graves à l'utilisateur.

10. Un soutien de tête adéquate pour le transport (voir étiquette de l'appui-tête) doit être installé et doit être dans la position souhaitée à tout moment pendant le transport.

11. Les systèmes de maintien posturaux (sangles sous-abdominales, ceintures sous-abdominales) ne doivent pas servir de système de retenue dans un véhicule en déplacement, à moins qu'ils ne soient conformes à la norme ISO 7176-19:2001 ou SAE J2249, ce qui doit être spécifiquement indiqué sur l'étiquette.



12. La sécurité de l'utilisateur pendant son transport dépend de la vigilance de la personne sécurisant le système d'arrimage et cette personne devrait avoir reçu des instructions appropriées et/ou une formation sur leur utilisation.

13. Dans la mesure du possible, retirez du fauteuil et rangez tous les accessoires et équipements auxiliaires, comme par exemple :

Les cannes, les coussins amovibles et les tablettes.

14. Vous ne devez pas utiliser les repose-jambe articulés/élévateurs en position élevée quand le fauteuil roulant et l'utilisateur sont transportés et quand le fauteuil roulant est retenu par des dispositifs de retenue pour le transport de fauteuils roulants et de son passager.

15. Les dossiers inclinables doivent être remis en position verticale.

16. Les freins manuels du fauteuil doivent impérativement être enclenchés.

17. Les dispositifs de retenue doivent être montés au pilier "B" du véhicule et ne doivent pas être retenus par des composants du fauteuil roulant tel les accoudoirs ou les roues.

**Instructions pour le système de retenue de l'occupant :**

1. La ceinture de retenue du bassin doit être fixée en position basse à travers le bassin de façon à ce que l'angle de la ceinture du bassin soit dans la zone de préférence entre 30 et 75 degrés par rapport à l'horizontal. Un plus grand angle au sein de la zone de préférence est recommandé c'est-à-dire plus proche de 75°, mais sans jamais cependant dépasser cette limite. (Fig. C).

2. La ceinture thoracique doit passer par-dessus l'épaule et en travers de la poitrine, comme illustré aux Fig. D et E. Les ceintures de retenue doivent être serrées le plus possible, tout en respectant le confort de l'utilisateur. La sangle de la ceinture de sécurité ne doit pas être entortillée pendant son utilisation.

La ceinture thoracique doit passer par-dessus l'épaule et en travers de l'épaule, comme illustré aux Fig. D et E.

3. Les points de retenue au fauteuil sont le côté interne avant du châssis juste au-dessus de la roue avant et l'arrière du châssis. Les sangles sont fixées autour des flancs de châssis, à l'intersection des tubes de châssis horizontaux et verticaux. (Voir Fig. G - H)

4. Le symbole d'arrimage (Fig. F) sur le châssis du fauteuil roulant indique la position des sangles de retenue du fauteuil roulant. Les sangles sont ensuite tendues après que les sangles avant aient été fixées pour sécuriser le fauteuil roulant.

**POIDS DE L'UTILISATEUR INFÉRIEUR 22 kg**

Si l'utilisateur devant être transporté est un enfant pesant moins de 22 kg et si le véhicule utilisé compte moins de huit (8) passagers assis, il est recommandé d'utiliser un dispositif de retenue pour enfants conforme au règlement 44 de la CEE-ONU.

Ce type de dispositif de retenue est un moyen de retenue plus efficace que les dispositifs à trois points, et certains dispositifs de retenue pour enfants assurent également un support postural supplémentaire afin de maintenir la position de l'enfant lorsqu'il est assis.

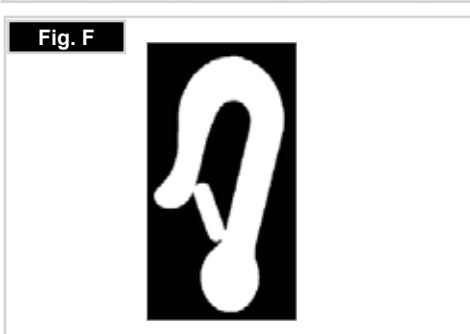
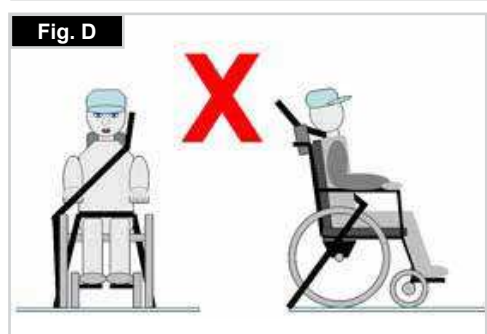
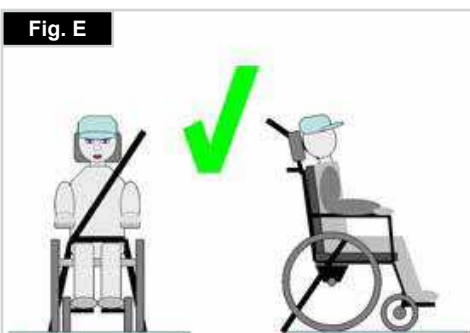
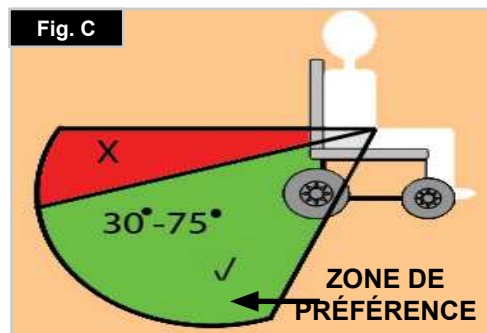
Les parents ou toute autre personne s'occupant de l'enfant peut, selon le cas, décider de laisser l'enfant dans son fauteuil roulant pendant le transport en raison du niveau de contrôle de la posture ou du niveau de confort assuré par les réglages du fauteuil.

Dans ce cas, nous vous invitons à procéder à une évaluation des risques par le professionnel de santé qui vous suit ou par toute personne compétente dans ce domaine.

**Transportabilité – positionnement du dispositif d'arrimage sur le fauteuil roulant**

Le fauteuil est sécurisé avec le dispositif d'arrimage avant du fauteuil roulant. (Fig. G).

Emplacement du dispositif arrière d'arrimage du fauteuil roulant (Fig. H).



**GARANTIE****CELA N'AFECTE EN AUCUN CAS VOS DROITS LEGAUX.**

La garantie de Sunrise Medical\* est détaillée dans les conditions de garantie suivantes :

**Conditions de garantie**

1. Si une ou plusieurs pièces devaient être remplacées ou réparées suite à un vice de fabrication et/ou de matériel dans les 24 mois (5 ans pour le châssis ou le croisillon) suivant la livraison au client, la ou les pièces seront remplacées ou réparées gratuitement. (Les batteries sont garanties pendant une période de 12 mois dans la mesure où les recommandations pour les batteries ont été respectées)
2. Pour faire jouer la garantie, veuillez contacter le service client Sunrise Medical afin de préciser la nature du problème. En cas d'utilisation du fauteuil dans une zone située en dehors du territoire du service après-vente (revendeur) Sunrise Medical, les réparations ou remplacements seront assurés par un autre service après-vente désigné par le fabricant. Le fauteuil doit être réparé par un service après-vente désigné par Sunrise Medical.
3. Toute pièce réparée ou échangée dans le cadre de la garantie est couverte par la garantie pour la période restante conformément au point 1.
4. Concernant les pièces détachées d'origine installées ultérieurement et au frais du client, celles-ci sont couvertes par une garantie de 12 mois (à compter de l'installation), conformément aux présentes conditions de garantie.
5. Les pièces consommables, telles les manchettes, les pneus, les chambres à air et autres pièces similaires, ne sont pas couvertes par la garantie, à moins que l'usure prématurée de la pièce soit le résultat direct d'un défaut de fabrication.
6. La garantie ne peut être actionnée si la réparation ou l'échange du fauteuil ou d'une pièce découle de l'un des cas de figure suivants :
  - a) Le produit n'a pas été entretenu ou révisé conformément aux recommandations du fabricant, telles qu'indiquées dans le manuel d'utilisation et/ou les notices d'entretien.
  - b) Les accessoires utilisés ne sont pas des accessoires d'origine.
  - c) Le fauteuil roulant - ou l'une de ses pièces - a été endommagé suite à un mauvais entretien, à un accident ou à une utilisation inadéquate.
  - d) Des changements/modifications non conformes aux spécifications du fabricant ont été effectués sur le fauteuil ou des pièces.
  - e) Les réparations ont été effectuées avant d'en avoir informé le service client.
7. Cette garantie est soumise à la loi du pays d'achat du produit auprès de Sunrise Medical\*

\* C'est-à-dire le site Sunrise Medical depuis lequel le produit a été acheté.



## 4.0 Manipulation

### Pliage du fauteuil

Commencez par retirer le coussin du fauteuil et relever la palette des repose-pieds. Attrapez la toile du siège ou les montant du siège (Fig. 4.1) en plaçant vos doigts au centre et tirez vers le haut, jusqu'à ce que la patte de fermeture du dossier s'enclenche (Fig. 4.2).

### Transport

Pour déplacer votre fauteuil, soulevez-le en l'attrapant par la partie frontale du croisillon et par les poignées.

### Dépliage du fauteuil

Actionnez vers le bas le levier de déverrouillage du pliage (Fig. 4.3) et écartez les deux parties du châssis. Appuyez ensuite sur les tubes de siège (voir figure). Le fauteuil roulant se déplie. Maintenant, pressez les tubes du siège dans les supports. Cette opération s'effectue plus facilement en basculant légèrement le fauteuil sur le côté. L'une des roues arrière est alors libérée et le fauteuil se déplie plus facilement. **Faites attention de ne pas vous coincer les doigts dans les tubes de traverse.** Remplacez le coussin du siège. (Fig. 4.4).

### Vous asseoir dans votre fauteuil par vous-même (Fig. 4.5)

- Poussez le fauteuil roulant contre un mur ou contre un meuble lourd ;
- Enclenchez les freins ;
- Relevez les palettes ;
- L'utilisateur peut s'installer dans le fauteuil ;
- Rabaissez les palettes et placez vos pieds devant les sangles talonnières.

### Sortir de votre fauteuil par vous-même (Fig. 4.6)

- Enclenchez les freins ;
- Relevez les palettes avec votre pied ;
- Posez une main sur l'accoudoir, penchez-vous légèrement vers l'avant de sorte à basculer le poids de votre corps vers l'avant du fauteuil, posez fermement les deux pieds au sol, l'un derrière l'autre, redressez-vous en poussant sur vos bras.

### AVERTISSEMENT !

- Ne vous tenez pas debout sur les palettes pendant un transfert. Le fauteuil risque de basculer vers l'avant lorsque vous vous tenez debout sur les palettes.
- Posez vos pieds au sol lorsque vous montez ou descendez du fauteuil.
- Enclenchez toujours les freins d'immobilisation lorsque vous montez ou descendez du fauteuil.

Fig. 4.1



Fig. 4.2

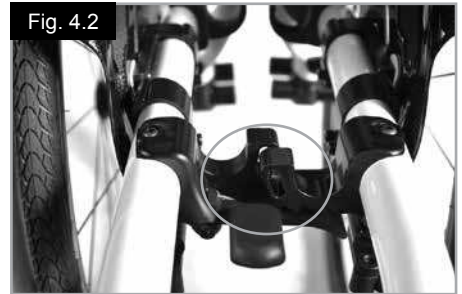


Fig. 4.3



Fig. 4.4



Fig. 4.5

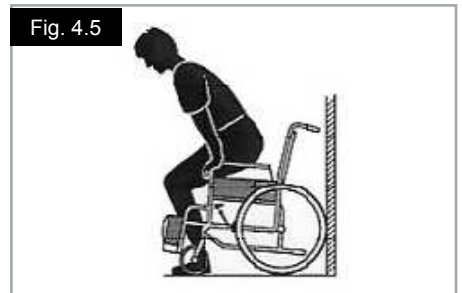


Fig. 4.6



## 5.0 Roues à déverrouillage rapide

### Axes à déverrouillage rapide de la roue arrière

Les roues arrière doivent être munies d'axe à déverrouillage rapide. Les roues peuvent être démontées ou montées sans outils. Pour démonter une roue, appuyez sur le bouton à déverrouillage rapide et tirez la roue de l'axe. (Fig. 5.1).

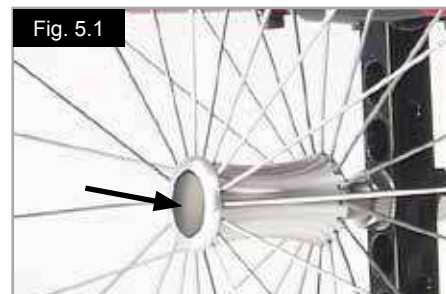
### Axe à déverrouillage pour personnes tétraplégiques

Relevez le levier de déverrouillage (1). Retirez ensuite les axes à déverrouillage rapide et/ou les roues.

Après avoir replacé les roues/axes à déverrouillage rapide, abaissez le levier. Vérifiez toujours d'avoir bien fermé et verrouillé le mécanisme de déverrouillage avant de réutiliser le fauteuil (Fig. 5.2).

### ⚠ AVERTISSEMENT !

- Lors du montage, appuyez sur le bouton de l'axe à déverrouillage rapide et insérez l'axe dans le canon, tout en conservant le bouton pressé. Relâchez le bouton pour verrouiller l'axe. Le bouton d'arrêt doit revenir dans sa position de départ.
- Risque de blessure. Faites attention de ne pas vous coincer les doigts dans les roues en rotation. Immobilisez toujours les roues avant de les déposer..



## 6.0 Options

### 6.1 Leviers de basculement

Le levier de basculement permet à l'accompagnateur(-trice) de faire basculer le fauteuil pour franchir un obstacle. Placez votre pied sur le tube d'appui pour franchir un trottoir ou une marche, par exemple (Fig. 6.1.1).



### 6.2 Freins

### ⚠ ATTENTION !

La puissance de freinage peut être affectée par un mauvais montage ou par un mauvais montage ou réglage des freins, ainsi que par une pression trop faible des pneus.

### Freins

Le fauteuil est équipé de deux freins d'immobilisation. Les freins agissent directement sur les pneus. Pour immobiliser votre fauteuil, abaissez les deux leviers de freinage jusqu'à la butée avant. Tirez le levier de freinage en arrière pour le relâcher.

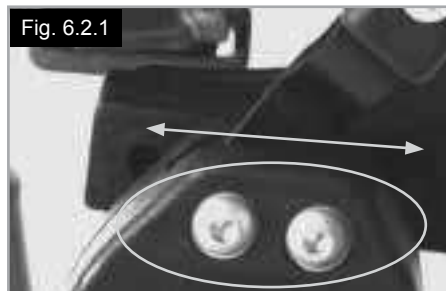
L'effet de freinage diminue quand :

- Les pneus sont usés
- La pression des pneus est trop faible
- Les pneus sont mouillés
- Les freins sont mal réglés.

Les freins d'immobilisation ne sont pas destinés à ralentir un fauteuil en déplacement. Par conséquent, n'actionnez jamais les freins d'immobilisation lorsque le fauteuil se déplace. Freinez toujours à l'aide des mains courantes. Vérifiez que l'écart entre les pneus et les freins d'immobilisation est conforme aux valeurs spécifiées. Pour régler, dévissez la vis et réglez le bon intervalle. Resserrez de nouveau la vis (Fig. 6.2.1 et Fig. 6.2.2).

### ⚠ ATTENTION !

Après avoir procédé au réglage des roues arrière, vérifiez toujours l'intervalle avec les freins d'immobilisation. Réajustez si nécessaire.



## Rallonge du levier de frein

La rallonge vous permet de déployer moins d'efforts pour actionner les freins.

La rallonge est directement vissée aux freins. En le levant, le levier pourra être rabattu vers l'avant. (Fig. 6.2.3).

### ⚠ ATTENTION !

**Plus les freins seront montés près de la roue, plus l'effort à fournir pour les actionner sera grand. Cela pourrait casser la rallonge du levier de frein.**

### ⚠ AVERTISSEMENT !

Veillez à ne pas prendre appui sur la rallonge du levier de frein lorsque vous montez ou descendez du fauteuil, car vous risqueriez de la casser. Veillez à ne pas prendre appui sur la rallonge du levier lorsque vous montez ou descendez du fauteuil, car vous risqueriez de la casser !

## Freins compacts

Les freins compacts se trouvent sous la toile du siège. Pour les activer, il suffit de tirer les freins vers l'arrière, en direction du pneu. Pour fonctionner correctement, les freins compacts doivent être complètement tirés contre les butées, (Fig. 6.2.4).

### ⚠ ATTENTION !

- Si le frein n'est pas correctement monté, vous devrez forcer pour l'actionner. Cela pourrait casser la rallonge du levier de frein.
- Les boulons de montage du frein ne doivent pas être desserrés et/ou resserrés.

## Freins tambour

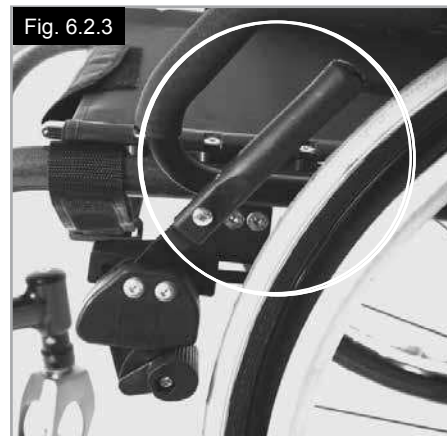
Les freins tambour permettent à l'accompagnateur de freiner en toute sécurité et de manière aisée.

Ils peuvent être également montés avec un levier de verrouillage (1) pour éviter qu'ils ne se desserrent accidentellement.

Vous devez entendre le clic du levier de blocage lors de son enclenchement. Le gonflage des pneus n'a aucune incidence sur les freins tambour (Fig. 6.2.5).

### ⚠ AVERTISSEMENT !

- Ne confiez le réglage du frein tambour qu'à un revendeur.
- Actionnez toujours les 2 freins à tambour simultanément pour garantir une direction de conduite contrôlée.
- Les freins tambour sont un moyen de freinage dynamique destiné exclusivement à immobiliser le fauteuil roulant durant son déplacement.
- Enclenchez toujours les freins d'immobilisation pour les arrêts de courte ou longue durée et lorsque vous montez ou descendez du fauteuil.



## 6.3 Repose-pieds

Il existe plusieurs types de palttes compatibles avec le fauteuil Xenon. Celles-ci peuvent se rabattre pour vous permettre de monter et de descendre plus facilement du fauteuil. Elles sont décrites ci-dessous.

### Longueur de la jambe inférieure

En enlevant les vis de réglage (Fig. 6.3.1), vous pouvez régler la longueur de jambe inférieure. Dévissez la vis de réglage, puis réglez la palette à la hauteur désirée sur le montant. Revissez les vis de réglage (Voir la section sur la force de torsion). Vérifiez que le joint en plastique est bien positionné sous la vis de réglage.

### AVERTISSEMENTS !

- Ne prenez pas appui sur la palette pour monter ou descendre du fauteuil. Le fauteuil risque de basculer vers l'avant lorsque vous vous tenez debout sur la palette. Posez vos pieds au sol lorsque vous montez ou descendez du fauteuil.

### Repose-pieds plateforme

La palette se rabat pour monter et descendre plus facilement du fauteuil.

Elle s'incline également en six angles différents par rapport à une surface plane.

Resserrez bien la vis (1) située sur l'extérieur.

En enlevant les attaches (2), il devient possible de régler la palette en trois positions différentes, vers l'avant comme vers l'arrière. Pour modifier la position horizontale de la palette, dévissez la vis de réglage (3).

Pour cela, la palette devra être rabattue vers le haut.

(Fig. 6.3.2 à Fig. 6.3.4).

Lorsque vous avez terminé, n'oubliez pas de bien revisser toutes les vis (Voir la section sur la force de torsion).

Il faut toujours conserver un intervalle minimum de 2,5 centimètres entre les repose-pieds et le sol.



Fig. 6.3.1



Fig. 6.3.2



Fig. 6.3.3



Fig. 6.3.4



## Réglage de la largeur du repose-pieds

Si vous devez régler la largeur du repose-pieds, dévissez la vis (1), placez 1, 2 ou 3 entretoises (2) à l'intérieur ou à l'extérieur selon la largeur désirée et revissez la vis, (Fig. 6.3.5).

### Repose-pied léger

Vous pouvez régler l'angle d'inclinaison du repose-pieds. Dévissez pour cela les vis (2). Vous pouvez installer des cales latérales sur le palette, qui s'insèrent dans les trous de montage (3). Celles-ci empêchent le pied de glisser accidentellement, (Fig. 6.3.6). Après avoir procédé à vos réglages, vérifiez toujours d'avoir bien revissé toutes les vis (voir la section sur la force de torsion).

### Réglage de la largeur

Pour régler la largeur du repose-pieds, dévissez les vis (2). Glissez ensuite les tubes pour les rapprocher ou les écarter en fonction de la largeur souhaitée (Fig. 6.3.6).

Vérifiez d'avoir bien revissé les vis au bon couple de serrage.

### Palette pliable automatiquement

Pour régler l'angle d'inclinaison, dévissez les vis (1) et orientez le repose-pieds à l'angle désiré. Respectez le couple de serrage lorsque vous revissez les vis, (Fig. 6.3.7).

### Repose-pieds montage haut

Ce repose-pieds se monte à l'intérieur du châssis et permet une position surélevée des pieds par rapport aux repose-pieds conventionnels (Fig. 6.3.8).

Fig. 6.3.5

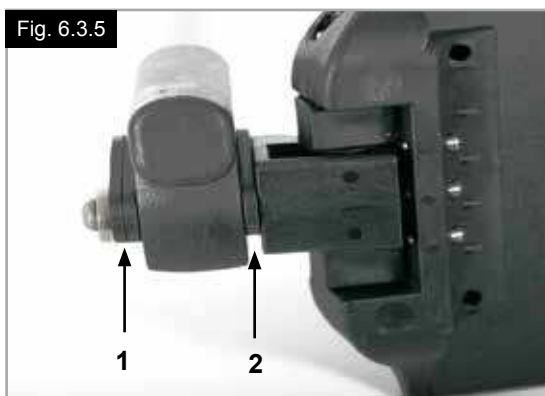


Fig. 6.3.6

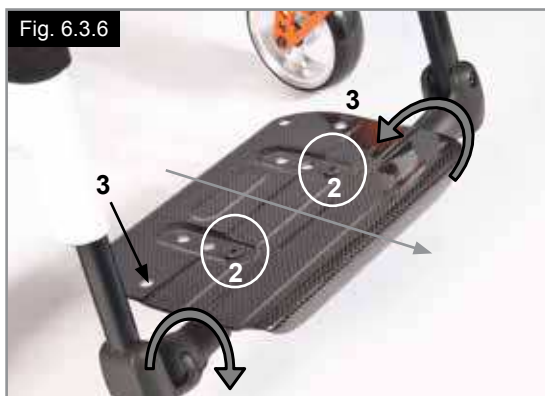


Fig. 6.3.7



Fig. 6.3.8





## 6.4 Assise

### Toile du siège

Vous pouvez régler la tension de la toile du siège à l'aide des sangles. Pour régler la tension de la toile du siège, toutes les sangles doivent être desserrées. Tirez sur les sangles pour régler la toile du siège à la tension désirée (Fig. 6.4.1).

### REMARQUE :

En cas de tension excessive, le croisillon ne pourra pas glisser dans le guide.

### Réglage de la hauteur du siège :

#### Adaptateur léger

Pour régler la hauteur d'assise ;

- Retirez les bouchons en caoutchouc (3) situés dans la rainure à l'arrière de la rallonge du support d'axe. Dévissez les vis hexagonales (1) à l'aide d'une clé à six pans. Positionnez le support d'axe (2) sur la rallonge (4) selon la hauteur de siège désirée (Fig. 6.4.2).
- Afin d'obtenir la hauteur du siège la plus basse possible, le support d'axe peut être retourné et monté à l'envers.
- Resserrez les vis hexagonales (1) à 8 Nm.
- Remplacez les bouchons en caoutchouc.

#### Adaptateur standard

Pour régler la hauteur d'assise :

- Retirez les bouchons en caoutchouc (3) situés dans la rainure à l'arrière de la rallonge du support d'axe.
- Dévissez les vis hexagonales (1) à l'aide d'une clé à six pans. Positionnez le support d'axe (2) sur la rallonge (4) selon la hauteur de siège désirée (Fig. 6.4.3).
- Resserrez les vis hexagonales (1) à 8 Nm.
- Remplacez les bouchons en caoutchouc.

### REMARQUE :

- Il peut être nécessaire de régler l'inclinaison des roues avant pendant le réglage de la hauteur d'assise à l'arrière.
- Si l'adaptateur d'axe est déplacé ou déposé pendant le réglage de la hauteur du siège, il convient de vérifier et, le cas échéant, d'ajuster l'alignement des roues et l'empatement (reportez-vous à la section 'Alignement des roues').

### ATTENTION !

Certaines vis utilisées pour la fabrication sont enduites de frein-filet (point bleu sur le filetage) ; elles ne peuvent être ajustées que 3 fois, après quoi il convient de les remplacer par de nouvelles vis à frein-filet. Les vis peuvent également être réutilisées avec du frein-filet Loctite™ 243.

Fig. 6.4.1

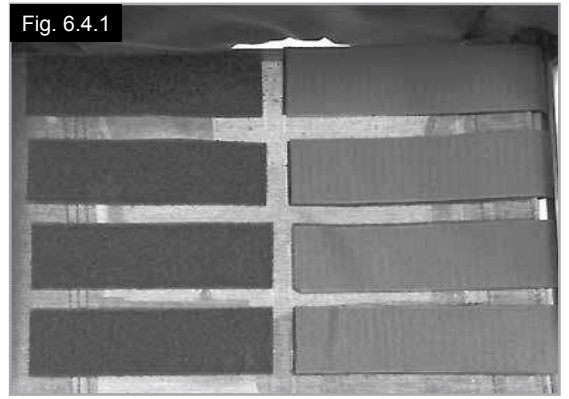


Fig. 6.4.2

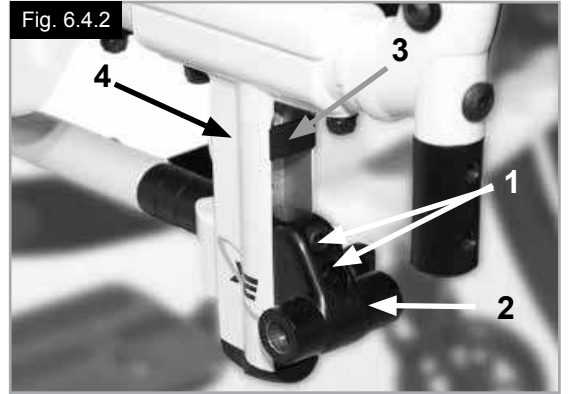
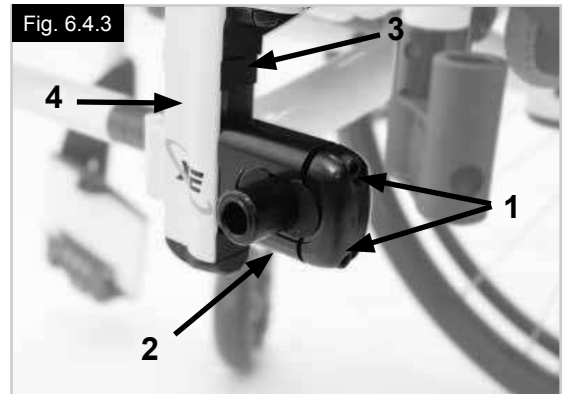


Fig. 6.4.3



## Réglage du centre de gravité

Pour ajuster le centre de gravité, vous avez deux possibilités. Vous pouvez procéder aux réglages directement sur le support d'axe (adaptateur standard uniquement) en déplaçant les entretoises en forme de croissant d'un côté ou de l'autre. Pour procéder à un réglage de plus grande amplitude, vous devez modifier l'emplacement de la rallonge du support d'axe sur le châssis.

### REMARQUE :

- Un réglage inapproprié du centre de gravité peut entraîner l'instabilité du fauteuil, et le faire basculer. L'utilisation de roulettes anti-bascule est nécessaire :
- Il peut être nécessaire de régler l'inclinaison des roues avant au moment du réglage du centre de gravité.

## Changement de position de la tige d'essieu

En utilisant les axes à déverrouillage rapide, enlevez les roues de l'adaptateur d'angle.

Dévissez et retirez les deux vis (1). Placez la rallonge du support d'axe à la position désirée sur le châssis, remettez les vis en place dans la plaque perforée et resserrez-les. Lorsque vous déplacez la rallonge de support d'axe, déplacez également le guide de tube d'assise sur le châssis, (vous devez changer la rallonge et le guide). Vérifiez que les côtés droit et gauche sont réglés de la même manière. Serrez à un couple de 8 Nm (Fig. 6.4.4 à Fig. 6.4.5).

## Réglage du centre de gravité sur le support d'axe standard

Vous pouvez procéder aux réglages directement sur le support d'axe (adaptateur standard uniquement) en déplaçant les entretoises en forme de croissant d'un côté ou de l'autre. 3 positions sont possibles (Fig. 6.4.6 à Fig. 6.4.8). À l'aide des axes à déverrouillage rapide, sortez la roue de l'adaptateur d'axe (4). Dévissez les vis hexagonales (1) à l'aide d'une clé à six pans. Retirez le capuchon (2) du support d'axe et agencez les entretoises en forme de croissant (3) selon le centre de gravité désiré. Remettez le capuchon et resserrez les vis hexagonales (1) à 8 Nm.

**REMARQUE :** Si l'adaptateur d'axe est déplacé ou déposé pendant le réglage de la hauteur du centre de gravité, il convient de vérifier et, le cas échéant, d'ajuster l'alignement des roues et l'empattement (reportez-vous à la section 'Alignement des roues').

Fig. 6.4.4

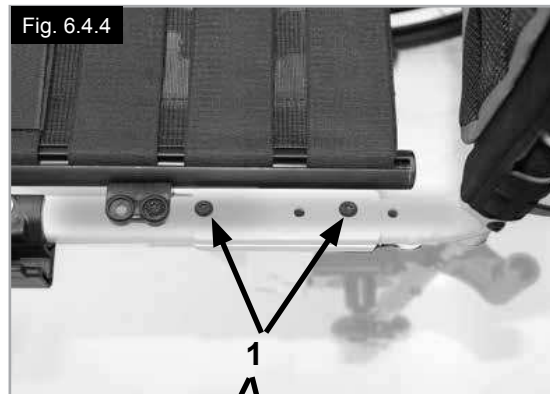


Fig. 6.4.5

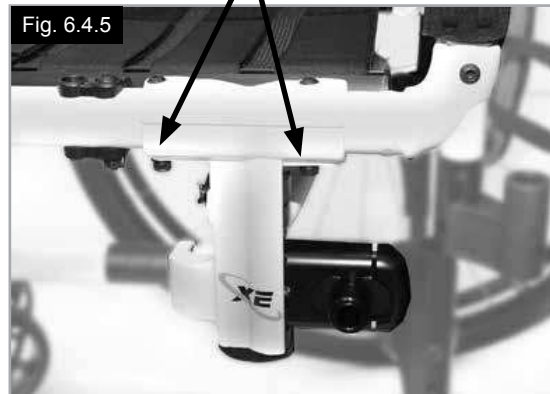


Fig. 6.4.6

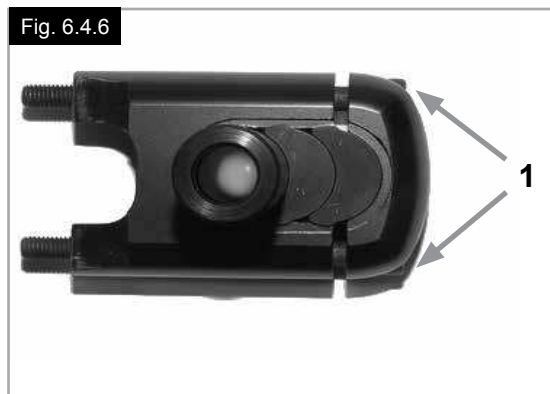
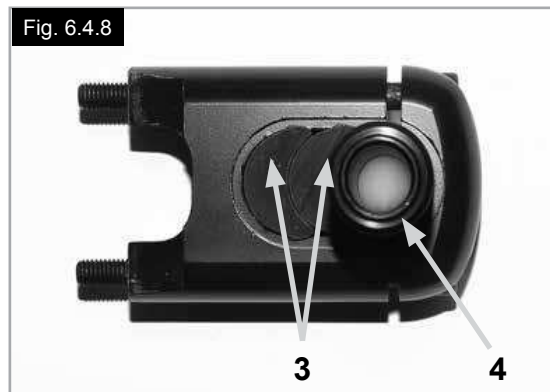


Fig. 6.4.7



Fig. 6.4.8



## 6.5 Roues avant

### Réglage de la roue avant, du support de fourche et de la fourche

Si le fauteuil se déporte légèrement vers la droite ou la gauche, ou si les roues avant présentent du flottement, cela peut être dû à l'une des raisons suivantes :

- Le mouvement avant et arrière des roues n'est pas correctement réglé.
- Mauvais réglage de l'angle des roues avant.
- Le gonflage des roues avant et/ou des roues arrière est insuffisant. Le roulement des roues en est gêné.

Les roues avant doivent être réglées de façon optimale pour que le fauteuil roule de façon rectiligne.

Les réglages des roues avant doivent toujours être confiés à un revendeur agréé. En cas de modification de la position de la roue arrière, les réglages du support de fourche et du frein doivent être contrôlés.

### Réglage des roues avant

Comptez les dents visibles des deux côtés pour vérifier que les deux fourches sont bien parallèles. Une fois la fourche des roues avant ajustée, les dents garantissent stabilité au fauteuil, permettant un réglage de 16° obtenu par incréments de 2° (Fig. 6.5.1).

Utilisez le côté plat à l'avant de la fourche pour vérifier qu'elle est perpendiculaire au sol.

Le modèle breveté permet de faire pivoter la fourche de manière à la régler perpendiculairement au sol en cas d'inclinaison de l'assise.

### Réglage de la stabilité directionnelle

Retirez les vis hexagonales (1) du dessous de la fourche. Retirez ensuite les vis (2). Vous pouvez maintenant orienter la douille noire (3) vers la droite ou la gauche.

Gauche – le fauteuil tire vers la gauche

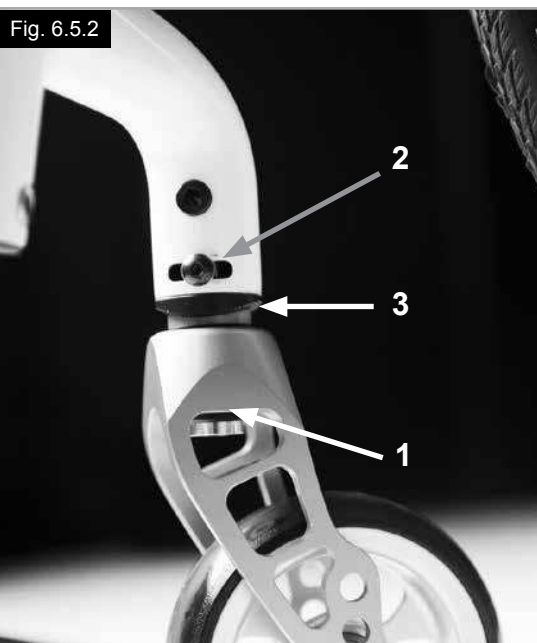
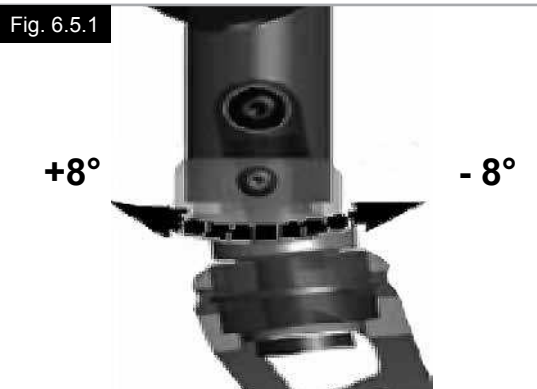
Droite – le fauteuil tire vers la droite

Resserrez de nouveau la vis (2). Réglez un angle à 90° entre la fourche et le sol.

Resserrez de nouveau la vis (1). (Fig. 6.5.2).

### ATTENTION !

Certaines vis utilisées pour la fabrication sont enduites de frein-filet (point bleu sur le filetage) ; elles ne peuvent être ajustées que 3 fois, après quoi il convient de les remplacer par de nouvelles vis à frein-filet. Les vis peuvent également être réutilisées avec du frein-filet Loctite™ 243.



## 6.6 Dossiers

Pour régler l'angle du dossier, dévissez la vis hexagonale (1) et retirez-la. Réglez à la position désirée, puis remettez la vis hexagonale en place et serrez-le au couple indiqué. (Fig. 6.6.1).

### Dossier rabattable

Afin de faciliter le transport du fauteuil, la partie supérieure du dossier peut être rabattue.

Pour cela, appuyez sur les deux leviers (1) et abaissez le dossier. Lorsque vous redressez le dossier, veillez à ce que les deux leviers soient bien enclenchés (Fig. 6.6.2 à Fig. 6.6.3).

### AVERTISSEMENT !

- Risque de blessure : Faites attention de ne pas vous coincer les doigts lorsque vous retournez le mécanisme.

### Toile du dossier réglable

Vous pouvez régler la tension de la toile du dossier à l'aide des sangles (Fig. 6.6.4).

### Dossier à hauteur réglable

Vous pouvez régler le dossier à la hauteur désirée par incréments de 2,5 cm (4 plages de réglage : 25-30 cm, 30-40 cm, 40-45 cm et 45-47,5cm).

Retirez les coussinets latéraux de la garniture et, si nécessaire, la sangle du dossier qui recouvre les vis.

Dévissez la vis (1) et réglez le dossier à la hauteur désirée.

Revissez ensuite les vis (Fig. 6.6.5).

Référez-vous à la section sur la force de torsion.

### ATTENTION !

**Si vous avez modifié le centre de gravité, tenez-en compte lors du réglage de l'inclinaison du dossier.**

## 6.7 Appui-têtes

### Appui-têtes

Vous pouvez régler la hauteur de l'appui-tête (Fig. 6.7.1) et l'incliner horizontalement vers l'avant ou l'arrière.

Pour cela, desserrez la vis correspondante (1,2 ou 3) et réglez à la position désirée. Revissez les vis (Voir la section sur la force de torsion).

Fig. 6.6.1

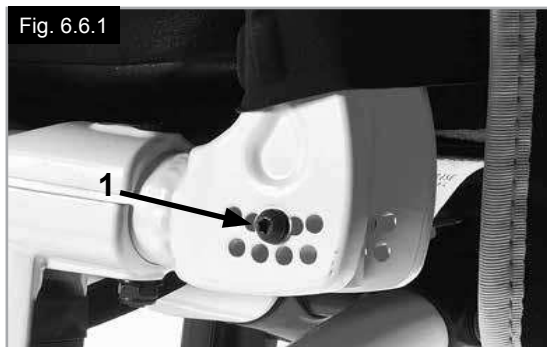


Fig. 6.6.2



Fig. 6.6.3



Fig. 6.6.4



Fig. 6.6.5

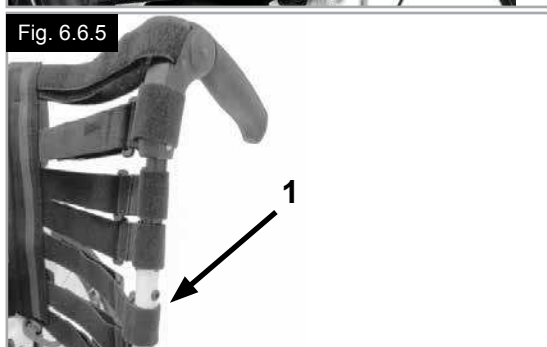


Fig. 6.7.1





## 6.8 Alignement des roues

### Réglage de l'alignement des roues

**REMARQUE :** Pour obtenir un déplacement optimal du fauteuil, les roues arrière doivent être parfaitement réglées et alignées de façon optimale. Pour ce faire : Mesurez la distance entre les deux roues avant et arrière pour s'assurer qu'elles sont parallèles l'une par rapport à l'autre. La différence entre les deux mesures ne doit pas dépasser 5 mm. Vous pouvez ajuster le réglage parallèle en desserrant les vis (1) et en pivotant le support d'axe (3). Lorsque vous avez terminé, n'oubliez pas de bien revisser toutes les vis (Fig. 6.8.1 à Fig. 6.8.2). Resserrez les vis hexagonales à 8 Nm.

#### **AVERTISSEMENT !**

Soyez extrêmement vigilant lorsque vous réglez le centre de gravité pour éviter que le fauteuil ne bascule.

### Réglez la largeur de l'empattement

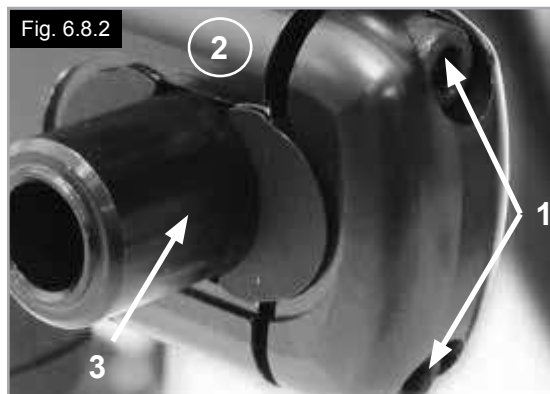
L'empattement arrière correspond à la distance entre la partie supérieure des roues arrière et les tubes du dossier. Son réglage usine est de 1,25 cm. S'il s'avère nécessaire de créer une plus grande distance entre les pneus et les accoudoirs réglables en hauteur, en option, l'empattement doit être augmenté.

Lors du réglage de l'empattement :

- Glissez l'adaptateur d'axe (3) latéralement à l'intérieur du support d'axe (2) ou à l'extérieur du support.
- Desserrez la vis hexagonale (1) sur le support d'axe.
- Sortez ou entrez l'adaptateur d'axe jusqu'à obtention de l'empattement désiré.
- Serrez les vis à 8 Nm.
- Répétez la procédure pour le côté droit du fauteuil et définissez le même écart qu'à gauche (Fig. 6.8.1 à Fig. 6.8.2).

#### **ATTENTION !**

- Réglez une roue après l'autre pour définir l'empattement arrière.
- Après avoir déplacé ou déposé l'adaptateur d'axe, il convient de vérifier et, le cas échéant, d'ajuster l'alignement des roues et l'empattement (reportez-vous à la section 'Alignement des roues')





## 6.9 Protège-vêtements

### 1. Installation

- a. Faites glisser le montant de l'accoudoir dans le récepteur monté sur le châssis du fauteuil.
- b. L'accoudoir s'enclenche automatiquement.

### 2. Réglage de la hauteur

- a. Tournez le levier de réglage de la hauteur (2) jusqu'au deuxième point d'arrêt.
- b. Levez ou abaissez la manchette à la hauteur désirée.
- c. Refermez le levier en position verrouillée d'origine.
- d. Appuyez sur la manchette (4) jusqu'à ce que le montant s'enclenche en position et émette un clic.

### 3. Retrait de l'accoudoir

- a. Activez le levier 3 et soulevez l'accoudoir complet.

### 4. Insertion de l'accoudoir.

- a. Enfoncez le montant de l'accoudoir dans le récepteur, jusqu'à ce qu'il s'enclenche et émette un clic.

### Montage des éléments composant le support de l'accoudoir

#### Réglage du jeu du récepteur de l'accoudoir

Pour réduire ou élargir le jeu intérieur du support de l'accoudoir :

1. Desserrez les quatre vis (D) situées sur le côté du support.
2. Laissez le montant de l'accoudoir dans le tube récepteur (E) et ajustez le serrage jusqu'à obtention du réglage souhaité.
3. Resserrez les quatre vis (D). (144 pouces / lbs, 16,3 Nm)

#### Réglage de la position

1. Dévissez les deux vis de serrage (10) jusqu'à ce que la mâchoire soit desserrée
  2. Régler le tube récepteur de l'accoudoir à la position désirée.
  3. Revissez.
- (Fig. 6.9.1 à 6.9.4).

1. Montant de l'accoudoir
2. Levier de réglage de la hauteur
3. Levier de verrouillage
4. Manchette de l'accoudoir
5. Barre de transfert
6. Protège-vêtement
7. Récepteur
8. Mâchoire de réglage
9. Vis de réglage du récepteur d'accoudoir
10. Vis de serrage

Fig. 6.9.1

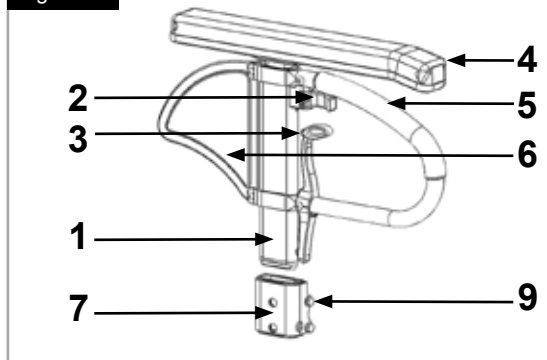


Fig. 6.9.2

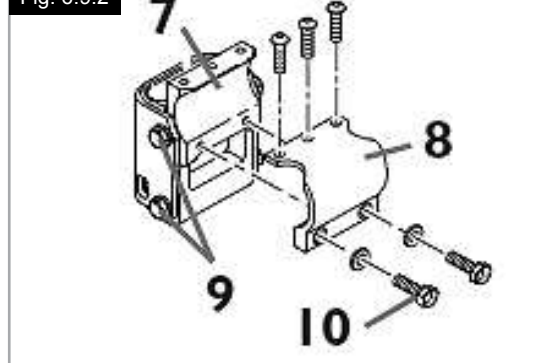


Fig. 6.9.3

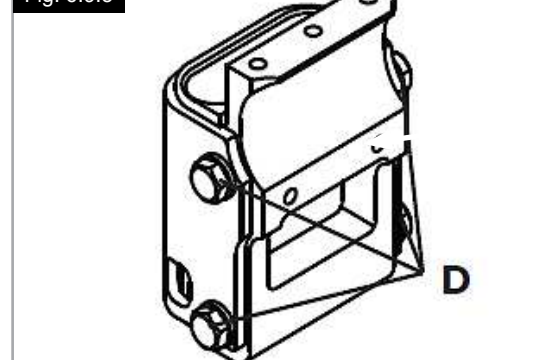
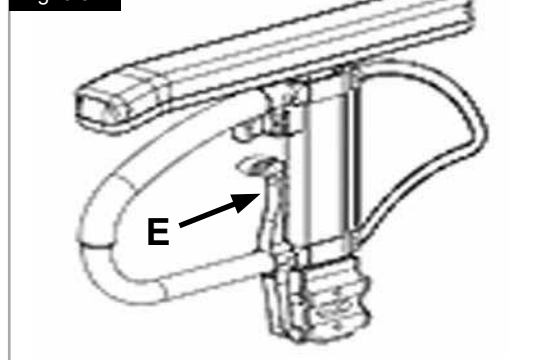


Fig. 6.9.4



## Protège-vêtements (suite)

### Protège-vêtement avec garde-boue

Le garde-boue empêche les vêtements d'être salis par les projections d'eau, (Fig. 6.9.5).

Vous pouvez régler sa position par rapport aux roues arrière en ajustant le protège-vêtement.

Pour cela, retirez les vis (1 et 2).

Après avoir réglé le protège-vêtement à la position désirée, resserrez les vis (reportez-vous à la page des couples de serrage).

### AVERTISSEMENT !

Ne jamais soulever le fauteuil par les accoudoirs ou les protections latérales.

## 6.10 Poignées de poussée

### Poignées de poussée réglables en hauteur

Les poignées sont maintenues en place par des goupilles qui les empêchent de sortir accidentellement. Pour régler individuellement la hauteur des poignées de poussée (2), desserrez le levier de serrage (1). Si vous actionnez le levier, assurez-vous qu'il se ré-enclenche bien. Vous pouvez régler très facilement la poignée à la position désirée. L'écrou du levier de serrage détermine le serrage au niveau du support de la poignée de poussée. Après enclenchement du levier, si l'écrou est desserré, la poignée sera lâche. Avant utilisation, vérifiez que le serrage est suffisant en faisant pivoter latéralement la poignée. Après avoir réglé la hauteur de la poignée, serrez fermement le levier de serrage (1). Quand le levier de serrage n'est pas serré, cela peut occasionner des blessures lors de la montée d'escaliers. (Fig. 6.10.1).

### ATTENTION !

Si les poignées réglables en hauteur ne sont pas correctement positionnées, elles peuvent avoir du jeu ou se déplacer. Vérifiez d'avoir fermement revissé toutes les vis.

### Poignées rabattables

Si vous n'avez pas besoin des poignées, vous pouvez les abaisser en appuyant sur le bouton (1). Lorsque vous en avez à nouveau besoin, relevez les poignées jusqu'à ce qu'elles s'enclenchent. (Fig. 6.10.2).

Fig. 6.9.5

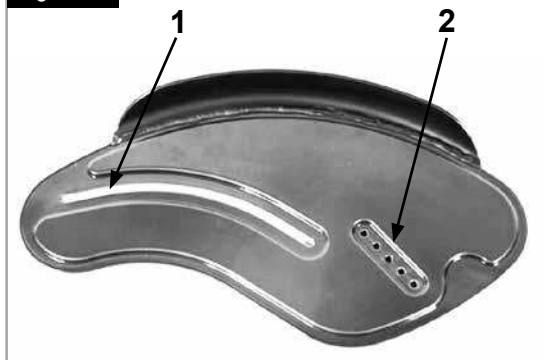


Fig. 6.10.1

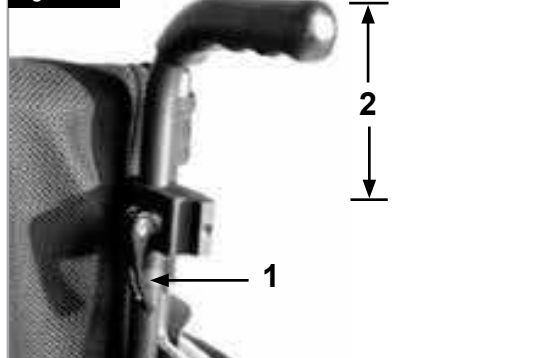
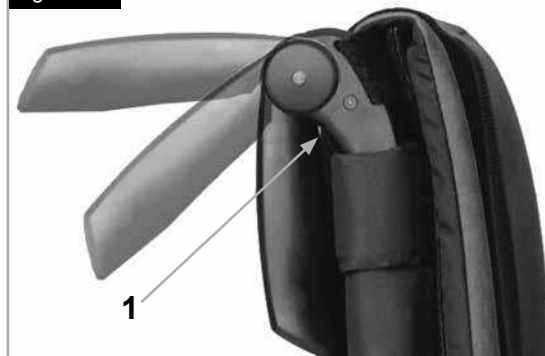


Fig. 6.10.2



## 6.11 Porte-canne

### Porte-canne

Le porte-canne vous permet de toujours transporter votre canne avec vous. Une bande Velcro sert à fixer la canne ou tout autre système d'aide à la marche, (Fig. 6.11.1).

#### AVERTISSEMENT !

N'essayez jamais d'utiliser ni d'enlever votre canne ou tout autre système d'aide à la marche pendant que vous vous déplacez en fauteuil.

## 6.12 Roulettes anti-bascule

#### AVERTISSEMENT !

Sunrise Medical recommande l'utilisation de roulettes anti-bascule avec tous les fauteuils. Il convient d'utiliser un couple de serrage de 7 Nm pour fixer les roulettes anti-bascule.

Les roulettes anti-bascule empêchent le fauteuil de basculer vers l'arrière, renforçant la sécurité des utilisateurs peu expérimentés et des utilisateurs qui ne sont pas encore complètement familiarisés avec le fonctionnement de leur fauteuil.

### Roulettes encliquetables

#### Insertion des roulettes anti-bascule dans le collier.

- Appuyez sur le téton arrière de l'adaptateur de la roulette de sorte que la goupille de déverrouillage se rétracte vers l'intérieur.
- Insérez les roulettes anti-bascule (1) dans l'adaptateur.
- Pivotez les roulettes anti-bascule vers le bas, jusqu'à ce que la goupille s'enclenche à l'intérieur du collier.
- Fixez la deuxième roulette anti-bascule de la même façon.

#### Réglage des roulettes anti-bascule

Pour obtenir une garde au sol correcte de 2,5 cm à 5,0 cm, il est nécessaire d'élever ou d'abaisser les roulettes anti-bascule et de les régler à la bonne hauteur.

- Enfoncez le bouton de déverrouillage de la roulette de sorte qu'il se rétracte vers l'intérieur.
- Réglez le montant inférieur vers le haut ou le bas dans les trous de réglage de la hauteur.
- Relâchez le bouton.
- Fixez la deuxième roulette anti-bascule de la même façon.
- Les deux roulettes anti-bascule doivent être exactement à la même hauteur. (Fig. 6.12.1).

Fig. 6.11.1



Fig. 6.12.1

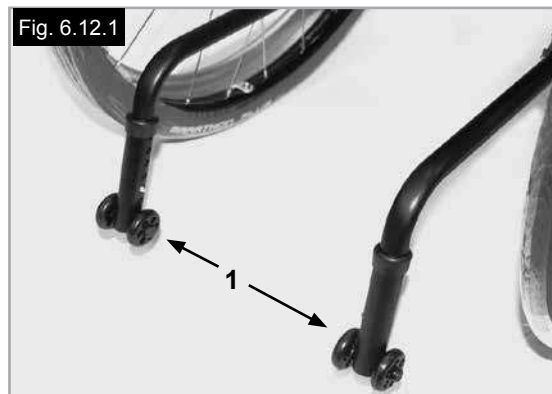


Fig. 6.12.2



### Roulettes escamotables

Appuyez sur le haut des roulettes anti-bascule (1) pour les abaisser, (Fig. 6.12.2).

Maintenez un écart de 30 - 50 mm entre les roulettes anti-bascule et le sol.

Vous pouvez également relever les roulettes. Elles doivent toujours être en position relevée lorsque vous négociez des obstacles relativement hauts, comme des trottoirs, afin d'éviter qu'elles n'entravent la manoeuvre.

#### DANGER !

En l'absence de roulettes anti-bascule, ou si celles-ci ont été mal installées, le fauteuil risque de basculer et de provoquer des blessures.

## 6.13 Tendeur de dossier

### Tendeur de dossier pliant

Cette barre permet de stabiliser le dossier. Pour plier le fauteuil, enfoncez le levier de déverrouillage vers l'intérieur (Fig. 6.13.1), puis relâchez-le, et abaissez le tendeur de dossier.

Lorsque vous dépliez le fauteuil, pensez à bien remettre le tendeur de dossier en place.

## 6.14 Roulettes de transit

### Roulettes de transit

Utilisez les roulettes de transit à chaque fois que le fauteuil est trop large en raison de ses roues arrière (Fig. 6.14.1).

Quand les roues arrière sont retirées au moyen de l'axe à déverrouillage rapide, on peut continuer à rouler sur les roulettes de transit, (Fig. 6.14.2).

Ces roulettes sont montées de manière à être environ 3 cm au-dessus du sol quand elles ne sont pas utilisées.

Elles ne créent de ce fait aucune gêne pour avancer, ni lors du transport ou de l'inclinaison du fauteuil pour franchir un obstacle.

 **DANGER !**

- Sans ses roues arrière, votre fauteuil n'a pas de freins d'immobilisation.
- Le fauteuil risque de basculer vers l'arrière.



Fig. 6.14.1



Fig. 6.14.2



## 6.15 Ceinture pelvienne

### ⚠ AVERTISSEMENTS !

- Avant d'utiliser le fauteuil, vérifiez que la ceinture pelvienne est bien en place.
- La ceinture pelvienne doit être contrôlée quotidiennement afin de s'assurer que son fonctionnement n'est pas altéré par des éléments divers, ni par l'usure.
- Vérifiez toujours que la ceinture pelvienne est bien fixée et correctement réglée avant d'utiliser le fauteuil.

### ⚠ DANGER !

Une sangle trop lâche peut entraîner le glissement de l'utilisateur et causer un risque de suffocation ou des blessures graves.

La ceinture pelvienne est fixée sur le fauteuil comme indiqué aux Fig. 6.15.1 à Fig. 6.15.10. La ceinture de sécurité se compose de 2 moitiés. Elles sont installées en utilisant le boulon de maintien existant du siège fixé à travers l'œillet de la ceinture. La ceinture est passée sous l'arrière du panneau latéral. (Fig. 6.15.1).

Ajustez la ceinture sous-abdominale afin de convenir aux besoins de l'utilisateur comme ci-après :

Ajustez la position de la ceinture afin que les attaches soient au centre du siège. (Fig. 6.15.2).

Passez la ceinture par l'attache male et le dispositif de réglage coulissant.

Assurez-vous que la ceinture n'ait pas de nœud au niveau de l'attache male, (Fig. 6.15.3).

Passez la ceinture par les dispositifs de réglage coulissant et l'attache male afin d'obtenir plus de longueur de ceinture, (Fig. 6.15.4 à Fig. 6.15.6).

Fig. 6.15.1



Fig. 6.15.2



Fig. 6.15.3

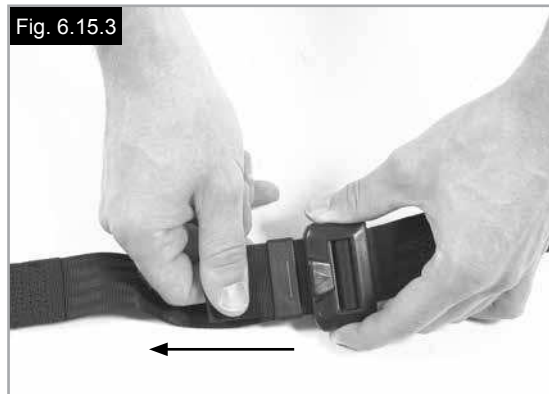


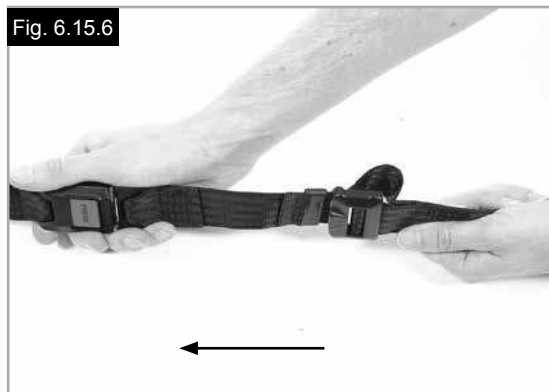
Fig. 6.15.4



Fig. 6.15.5



Fig. 6.15.6





## Ceinture pelvienne suite

Une fois la ceinture attachée, vérifiez l'espace entre la ceinture pelvienne et l'utilisateur : Si la ceinture est correctement réglée, vous pouvez passer la main à plat entre la ceinture pelvienne et l'utilisateur, (Fig. 6.15.7).

La ceinture pelvienne doit être fixée de sorte qu'elle soit à un angle de 45 degrés de part et d'autre du bassin de l'utilisateur. L'utilisateur doit être bien droit et le plus à l'arrière possible dans le siège quand réglée correctement. La ceinture sous-abdominale ne doit pas permettre à l'utilisateur de glisser du siège. (Fig. 6.15.8).

### Pour attacher la ceinture :

Poussez l'attache male de façon ferme dans l'attache femelle, (Fig. 6.15.9).


### Pour défaire la ceinture :

Enfoncez le bouton ROUGE au centre de la boucle, puis écarter délicatement les deux parties, (Fig. 6.15.10).

**REMARQUE :** Pour toute question sur l'utilisation et le fonctionnement de la ceinture pelvienne, contactez le fournisseur du fauteuil roulant, votre aide-soignant ou votre accompagnateur.

### AVERTISSEMENTS !

- La ceinture pelvienne ne doit être installée ou ajustée que par un revendeur ou agent Sunrise Medical autorisé.
- La ceinture pelvienne doit être contrôlée quotidiennement afin de s'assurer que l'ajustement est correct et que son fonctionnement n'est pas altéré par des éléments divers ou par l'usure.
- Sunrise Medical déconseille le transport de toute personne dans un véhicule utilisant la ceinture pelvienne comme système de retenue.

 Pour de plus amples informations sur le transport, consultez la brochure de transit de Sunrise Medical.

### Entretien :

Vérifiez régulièrement l'état de la ceinture et des composants de retenue afin de détecter l'apparition d'éventuels signes d'endommagement ou de déchirure. Selon son degré d'usure, il faudra la remplacer.

### AVERTISSEMENT !

La ceinture pelvienne doit être réglée de façon à s'adapter à l'utilisateur, comme détaillé ci-dessus. Sunrise Medical recommande également que la longueur et l'ajustement de la ceinture soient vérifiés régulièrement afin de réduire le risque de voir l'utilisateur final régler par inadvertance la ceinture à une longueur excessive.

Fig. 6.15.7



Fig. 6.15.8

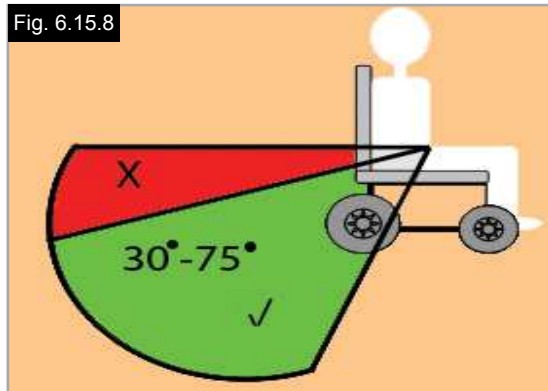


Fig. 6.15.9



Fig. 6.15.10



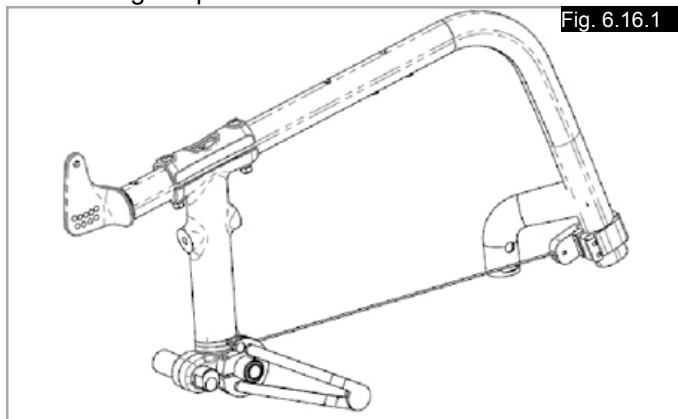
## 6.16 Support d'axe pour handbike

### Support d'axe pour handbike

Il est nécessaire de régler le support d'axe du handbike afin de déplacer le centre de gravité vers l'arrière. Cela permet une utilisation sûre de l'accessoire (Fig. 6.16.1).

#### DANGER !

- Utiliser le handbike sans le support d'axe pour handbike a pour effet de déstabiliser le fauteuil et peut entraîner de graves blessures pour l'utilisateur et toute autre personne.
- Utilisez uniquement des modules supplémentaires homologués pour votre fauteuil roulant.



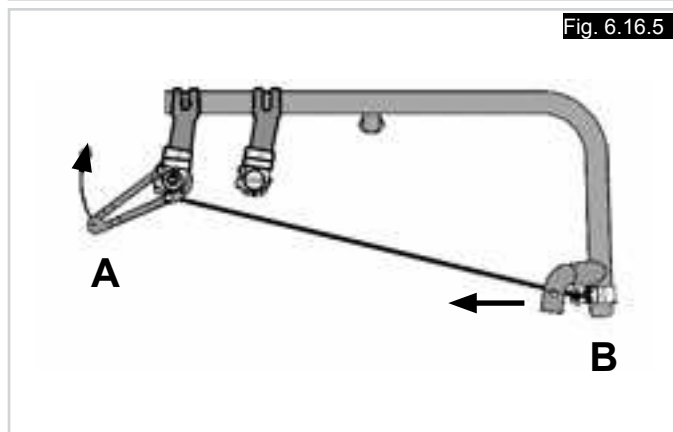
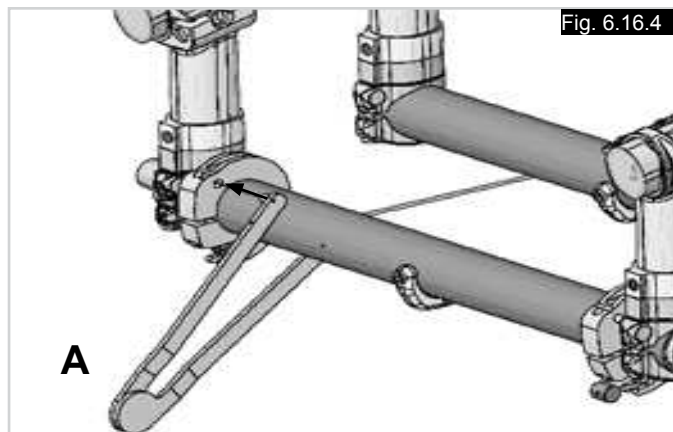
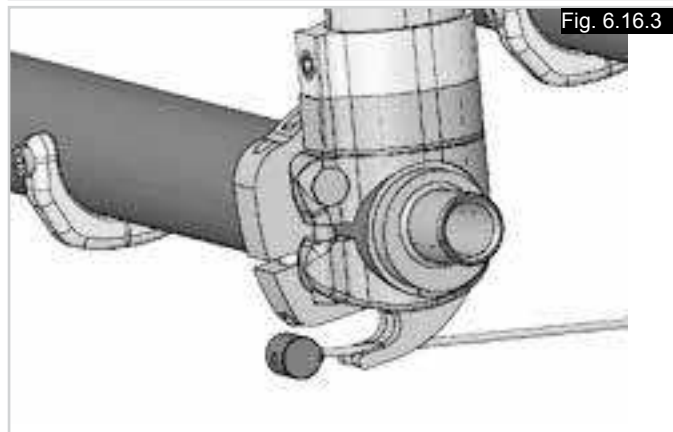
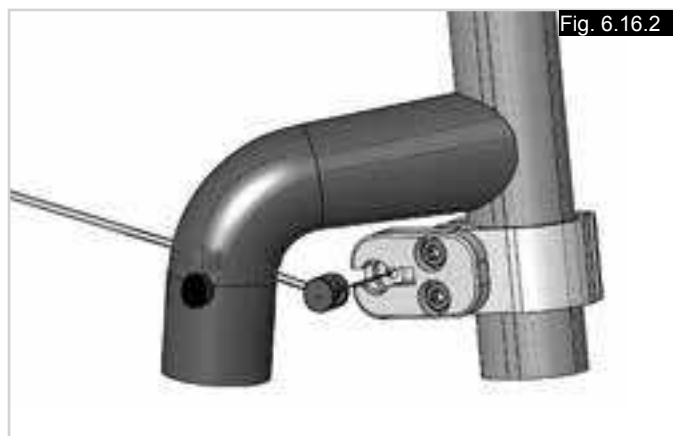
### Kit de renforcement pour handbike

Pour monter le kit de renforcement pour handbike :

- Insérez le bouton à une extrémité du câble dans le récepteur à l'avant du châssis (Fig. 6.16.2).
- Insérez le bouton de l'autre extrémité du câble dans le récepteur à l'arrière du châssis (Fig. 6.16.3).
- Insérez le tendeur (A) dans le récepteur de câble à l'arrière du châssis (Fig. 6.16.4).
- Tournez le tendeur (A) vers le haut jusqu'à ce que le récepteur et le montant avant (B) commencent à tirer vers l'arrière (Fig. 6.16.5).
- Maintenez le câble tendu à l'aide du tendeur et serrez la vis du récepteur de câble arrière (Fig. 6.16.5).
- Répétez cette étape pour l'autre côté.

#### AVERTISSEMENT !

Vérifiez la tension et la solidité des deux câbles avant et après chaque utilisation du handbike.



## 7.0 Contrôles quotidiens

### ATTENTION !

En tant qu'utilisateur, vous êtes le mieux placé pour remarquer toute éventuelle anomalie. Nous vous recommandons donc de vérifier les éléments de la liste suivante avant chaque utilisation :

- Vérifier la pression des pneus
- Vérifier le bon fonctionnement des freins d'immobilisation
- Vérifier que les composants amovibles sont bien en place, par ex. accoudoir, axe à déverrouillage rapide, etc.
- Vérifier tout signe d'endommagement visible, par ex. sur le châssis, le dossier, la toile du siège, les roues, le repose-pieds, etc.

En cas d'endommagement ou de dysfonctionnement, contactez votre revendeur agréé.

## 8.0 Pneus et montage des pneus

### AVERTISSEMENT !

Veillez à ce que la pression de vos pneus soit toujours correcte (3,5 bar) car les caractéristiques du fauteuil peuvent changer.

Quand la pression est insuffisante, il faut dépenser plus d'énergie car la résistance du fauteuil est très élevée. La maniabilité du fauteuil en est réduite.

### AVERTISSEMENT !

Le pneu peut éclater si la pression est trop élevée.

La pression correcte est indiquée sur le bandage du pneu (min. 3,5 bar).

Les pneus se montent comme des pneus de vélo courants.

Avant de monter la nouvelle chambre à air, vérifiez que l'embase de jante et la paroi interne du pneu ne comportent aucun corps étranger.

Vérifiez la pression des pneus après le montage ou la réparation. Il est important pour votre propre sécurité et pour une bonne performance de votre fauteuil de vérifier la pression de l'air régulièrement et de maintenir les pneus en bon état.

## 9.0 Maintenance et entretien

- Vérifiez la pression des pneus toutes les 4 semaines. Inspectez tous les pneus pour repérer tout éventuel signe d'usure ou d'endommagement.
- Vérifiez l'état des freins d'immobilisation une fois par mois pour être certain qu'ils fonctionnent correctement et qu'ils sont faciles à utiliser.
- Les pneus se changent comme ceux d'une bicyclette ordinaire.
- Toutes les jointures essentielles au fonctionnement sécurisé de votre fauteuil sont dotées d'écrous autofreinés. Vérifiez SVP tous les trois mois que les raccords vissés (voir la section des couples de serrage) sont solides. Les écrous de sécurité ne doivent être utilisés qu'une seule fois. Après une utilisation répétée, vous devez remplacer ces écrous.
- Quand votre fauteuil est sale, nettoyez-le uniquement avec un nettoyant ménager doux. Pour nettoyer la toile du siège, n'utilisez qu'une solution savonneuse.
- Si votre fauteuil est humide, séchez-le SVP après utilisation.
- Tous les deux mois environ, appliquez une petite quantité d'huile pour machine à coudre sur les axes à libération rapide. Suivant l'utilisation que vous faites de votre fauteuil, nous vous recommandons de demander à votre revendeur d'effectuer un contrôle de votre fauteuil tous les 6 mois.
- Utilisez exclusivement des pièces Sunrise Medical. N'utilisez jamais des pièces de rechange tierces non autorisées par Sunrise Medical.

### ATTENTION !

**Le sable et l'eau de mer (les projections de sel en hiver) endommagent la suspension des roues avant et des roues arrière. Nettoyez bien le fauteuil s'il a été exposé à ces éléments.**

Les pièces suivantes sont amovibles et peuvent être renvoyées au fabricant/revendeur pour être réparées :

**Roues arrière - Accoudoir - Support de repose-pieds - Roulettes anti-bascule**



Ces composants sont disponibles comme pièces détachées. Pour plus d'informations, consultez le catalogue des pièces détachées.

### Mesure d'hygiène en cas de cession du fauteuil :

Avant de laisser une autre personne utiliser le fauteuil, il convient de l'apprêter soigneusement.

#### AVERTISSEMENT !

Toutes les surfaces entrant en contact avec le nouvel utilisateur doivent être désinfectées.

Pour effectuer ceci, vous devez utiliser un désinfectant de la liste DGHM, par ex. Antifect Liquid (Schülke & Mayr) pour une désinfection rapide à base d'alcool pour produits et appareils médicaux, qui doivent être désinfectés rapidement.

Suivez toujours les instructions du fabricant du produit désinfectant utilisé.

En règle générale, une désinfection totale ne peut être garantie sur les coutures. Par conséquent et conformément à l'article 6 de la réglementation relative à la protection contre les infections, il est recommandé de mettre au rebut la toile du siège et du dossier afin d'éviter toute contamination micro-bactérienne par les agents actifs.

## 10.0 Dépannage

### Le fauteuil tire sur le côté

- Vérifiez la pression des pneus
- Vérifiez que la roue tourne librement (roulements, axe)
- Vérifiez l'angle des roues avant
- Vérifiez que les deux roues avant sont en contact avec le sol.

### Les roues avant oscillent

- Vérifiez l'angle des roues avant
- Vérifiez que les visseries sont fixes, resserrez-les le cas échéant (voir la page des couples de serrage)
- Vérifiez que les deux roues avant sont en contact avec le sol.

### Le fauteuil grince et cliquette

- Vérifiez que les visseries sont fixes, resserrez-les le cas échéant (voir la page des couples de serrage)
- Appliquez de petites quantités de lubrifiant aux endroits sur les éléments mobiles entrent en contact les uns avec les autres.

### Le fauteuil a du jeu

- Vérifiez l'angle des roues avant
- Vérifiez la pression des pneus
- Regardez si les roues arrière sont réglées de différente manière

## 11.0 Mise au rebut / Recyclage des matériaux

**REMARQUE** : Si ce fauteuil a été mis à votre disposition dans le cadre d'un programme de don ou de prêt médical, il se peut qu'il ne vous appartienne pas. Si vous n'en avez plus usage, veuillez le rendre à l'organisation qui vous l'a fourni.

La section suivante décrit les différents matériaux composant le fauteuil en vue de la mise au rebut ou du recyclage du fauteuil et de ses matériaux d'emballage. Renseignez-vous sur la réglementation en vigueur relative à l'élimination ou au recyclage de votre fauteuil. Vous serez tenu de la respecter le jour de la mise au rebut de votre fauteuil. (notamment le nettoyage ou la décontamination du fauteuil roulant avant sa mise au rebut).

**Aluminium** : Fourches, roues, protège-vêtement, cadre des accoudoirs, repose-pieds, poignées de poussée

**Acier** : Points d'arrimage, axe à déverrouillage rapide

**Plastique** : Poignées, butées des montants, roues avant, palettes, manchettes et pneus

**Emballage** : Sacs en plastique composés de polyéthylène, cartons

**Garniture** : Matériau polyester avec revêtement PVC et mousse hautement inflammable.

La mise au rebut ou le recyclage doit être assuré par une entreprise spécialisée ou dans une décharge publique. Vous pouvez également ramener votre fauteuil à votre revendeur pour sa mise au rebut.

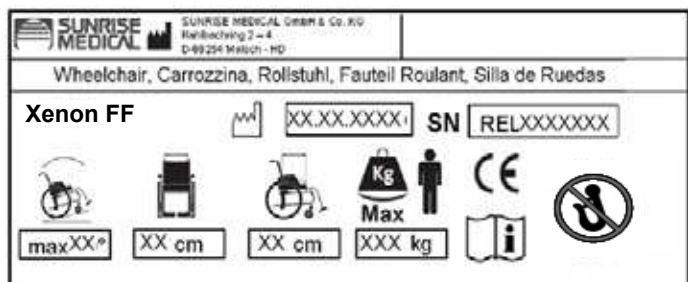


## 12.0 Plaque signalétique

La plaque signalétique se trouve sur les tubes du croisillon, ainsi que sur une étiquette dans le manuel d'utilisation. La plaque indique la dénomination exacte du modèle et fournit diverses informations techniques. Pour une commande de pièces de rechange ou une réclamation, indiquez SVP les informations suivantes :

- Numéro de série
- Numéro de commande
- Mois/année

# ECHANTILLON



<b>Xenon FF</b> XXXXX-XXX	Désignation du produit/Numéro de SKU
	Pente maximale pouvant être abordée par le fauteuil équipé de roulettes anti-bascule. Dépend de la configuration du fauteuil, de la posture et des capacités physiques de l'utilisateur.
	Largeur du siège.
	Profondeur (maximum).
	Charge maximale.
	Marquage CE
	Manuel d'utilisation
	N'a pas été soumis à un essai de collision.
	Date de fabrication.
	Numéro de série.

## 13.0 Caractéristiques techniques

### Largeur totale :

- Avec roues standard, main-courante, montage étroit :
- Avec le protège-vêtement en aluminium :  
LS + 170 mm
  - avec le garde-boue en composite :  
LS + 190 mm
  - Avec la main-courante ultra étroite, la largeur totale est réduite de 20 mm.
  - Avec roues standard, main-courante et 4° carrossage : LS + 250 mm

### Longueur totale:

910 mm avec largeur siège de 480 mm

### Hauteur totale :

1120 mm avec hauteur du dossier de 450 mm

### Poids en kg :

- à partir de 8,8 kg
- Configuration de transport (sans repose-pied, roues, protection latérale) 6,3 kg
- Protège-vêtement (unité) 1,3 kg
- Roues (unité) 2,2 kg

### Charge maximale :

Xenon pour une charge maximale de 110 kg ou 140 kg, selon le modèle.

### Hauteurs du siège :

Le châssis, la fourche, les roues avant et la taille des roues arrière (610mm), (635mm) déterminent la hauteur du siège.

### Le fauteuil est conforme aux normes suivantes :

1. Exigences et méthodes d'essai pour la résistance statique, la résistance aux chocs et la résistance à la fatigue (ISO 7176-8)
2. Exigences en matière de résistance à l'inflammation des parties rembourrées conformément à ISO 7176-16 (EN 1021-1/2)



**Beste klant,**

Wij zijn erg blij dat u gekozen hebt voor een kwalitatief hoogstaand SUNRISE MEDICAL-product.

In deze gebruikshandleiding vindt u tal van tips en ideeën waarmee u van uw nieuwe rolstoel een betrouwbare partner in uw leven kunt maken.

Wij bij Sunrise Medical staan erop om een nauwe band met onze klanten te onderhouden. Daarom willen wij u op de hoogte houden van de huidige en de nieuwe ontwikkelingen in ons bedrijf. Een goede band met onze klanten betekent ook: snelle service, uitstekende toegankelijkheid en nauwe samenwerking met onze klanten. Wanneer u vervangende onderdelen of accessoires nodig hebt, of een vraag over uw rolstoel hebt, staan wij voor u klaar.

Wij willen dat u tevreden bent over onze producten en diensten. Bij Sunrise werken we voortdurend aan verdere ontwikkeling van onze producten. Dat maakt dat de vorm, de technologie en de uitrusting van onze producten kan veranderen. Er zijn dan ook geen juridische vorderingen mogelijk op basis van de gegevens of de afbeeldingen in deze gebruikershandleiding.

**Het managementsysteem van SUNRISE MEDICAL is gecertificeerd en voldoet aan de DIN EN ISO 9001, ISO 13485 en ISO 14001.**



**SUNRISE MEDICAL verklaart als producent, dat de lichtgewicht rolstoelen voldoen aan de Europese Richtlijn 93/42/EEG.**

Heeft u vragen over het gebruik, het onderhoud of de veiligheid van uw rolstoel, neem dan contact op met uw plaatselijke erkende dealer van SUNRISE MEDICAL.

Is er geen erkende dealer in uw regio of hebt u vragen, neem dan schriftelijk of telefonisch contact op met Sunrise Medical:

**Sunrise Medical B.V.**  
**Groningehaven 18-20**  
**3433 PE NIEUWEGEIN**  
**The Netherlands**  
**T: +31 (0)30 – 60 82 100**  
**F: +31 (0)30 – 60 55 880**  
**E: info@sunrisemedical.nl**  
**www.SunriseMedical.nl**

**BELANGRIJK:**

**GEBRUIK UW ROLSTOEL NIET TOT U DEZE GEBRUIKSAANWIJZING HEEFT GELEZEN EN BEGREPEN.**

Rolstoelen zijn uitsluitend bedoeld voor persoonlijk gebruik, voor personen die niet in staat zijn te lopen of die beperkt mobiel zijn. De rolstoelen kunnen door de gebruiker zelf worden voortbewogen of door een derde (een begeleider die duwt), zowel binnens- als buitenshuis.

**Het maximale gewicht dat de stoel kan dragen (gebruiker en het gewicht van de accessoires die zijn gemonteerd) staat vermeld bij het serienummer; dit vindt u aan de kruisstang of stabiliseerstang onder de zitting.**

Aansprakelijkheid wordt uitsluitend geaccepteerd indien het product wordt gebruikt onder die specifieke omstandigheden en voor het doel waarvoor het product is gemaakt.

De verwachte levensduur van de rolstoel is vijf jaar.

Er mogen uitsluitend door Sunrise Medical goedgekeurde STANDAARD onderdelen worden gebruikt.

**Toepassingen.**

Dankzij de verschillende opties en het modulaire ontwerp kan de rolstoel worden gebruikt door personen die niet kunnen lopen, of beperkt mobiel zijn, door:

- Verlamming
- Amputatie (van been of benen)
- Niet-functioneren of misvorming van been of benen
- Contractuur van/letsel aan gewrichten
- Ziektes zoals hart- en vaatziekten, evenwichtsstoringen of cachexie evenals voor oudere mensen die nog kracht in het bovenlichaam hebben.

Wanneer levering/aanschaf van een rolstoel wordt overwogen, neem dan de volgende zaken in overweging: lichaamsgrootte, gewicht, fysieke en psychische toestand, leeftijd, leefomstandigheden en -omgeving.

Voorwoord	64
Gebruik	64
Toepassingen.	64
1.0 Algemene veiligheidsinstructies en besturingsrestricties	66
2.0 Transport	69
3.0 Garantie	71
4.0 Gebruik	72
5.0 Quick-release wielen	73
6.0 Opties	73
6.1 Trapdop	73
6.2 Remmen	73
6.3 Voetensteunen	75
6.4 Zitting	77
6.5 Zwenkwielen	79
6.6 Ruggleuningen	80
6.7 Hoofdsteun	80
6.8 Wielaanpassing	81
6.9 Zijkanten	82
6.10 Duwhandvatten	83
4.9 Krukkenhouder	84
6.12 Anti-tip wielen	84
6.13 Stabilisatiestang	85
6.14 Transitwielen	85
6.15 Heupgordel	86
6.16 Handbike-as	88
7.0 Dagelijkse controle	89
8.0 Banden en montage	89
9.0 Algemeen onderhoud	89
10.0 Oplossen van problemen	90
11.0 Afvalverwerking / recycling van materialen	90
12.0 Sticker	91
13.0 Technische specificaties	91

3.1 Betekenis van woorden die in deze handleiding worden gebruikt.

Woord	Betekenis
 <b>GEVAAR!</b>	De gebruiker wordt geattendeerd op de kans op ernstig letsel of overlijden indien het advies niet wordt opgevolgd.
 <b>WAARSCHUWING!</b>	De gebruiker wordt geattendeerd op de kans op letsel indien het advies niet wordt opgevolgd.
 <b>OPGELET!</b>	De gebruiker wordt geattendeerd op de kans op schade aan de apparatuur indien het advies niet wordt opgevolgd.
<b>OPMERKING:</b>	Algemeen advies of beste gebruik
	Verwijzing naar aanvullende documentatie

**OPMERKING:**

De getoonde en beschreven rolstoelen in deze gebruikershandleiding kunnen op sommige punten van uw eigen model afwijken. Alle instructies zijn echter belangrijk, ongeacht de verschillen in detail. De fabrikant houdt zich het recht voor zonder opgaaf gegevens met betrekking tot gewicht, maten of andere technische gegevens zoals genoemd in deze handleiding, te wijzigen. Alle afbeeldingen, maten en mogelijkheden zoals getoond in deze handleiding zijn slechts indicatief en bevatten geen specificaties.

**OPMERKING:**

Noteer het adres en telefoonnummer van uw plaatselijke dealer in de daarvoor bestemde ruimte. Neem in het geval van storingen contact met de dealer op en probeer zoveel mogelijk relevante informatie te geven zodat hij u snel kan helpen.

Stempel en handtekening dealer

## 1.0 Algemene veiligheidsinstructies en besturingsrestricties

De techniek en constructie van deze rolstoel zijn ontworpen voor het bieden van maximale veiligheid. Aan de momenteel van kracht zijnde internationale veiligheidsnormen is voldaan en zij zijn overtroffen. Toch kunnen gebruikers zichzelf in gevaar brengen door onjuist gebruik van hun rolstoel. Voor uw eigen veiligheid moeten de volgende regels absoluut worden opgevolgd.

Onprofessionele of foutieve aanpassingen of instellingen kunnen de kans op ongelukken vergroten. Als rolstoelgebruiker maakt u, net als andere weggebruikers, deel uit van het dagelijkse verkeer op straten en trottoirs. Wij herinneren u er aan dat u daardoor ook onderworpen bent aan alle verkeerswetgeving.

Wees voorzichtig tijdens uw eerste rit in deze rolstoel. Leer uw rolstoel kennen.

Voor elk gebruik, moet het volgende worden gecontroleerd:

- Quick release assen op de achterwielen
- Velcro op de zittingen en rugleuningen
- Banden, bandendruk en parkeerremmen.

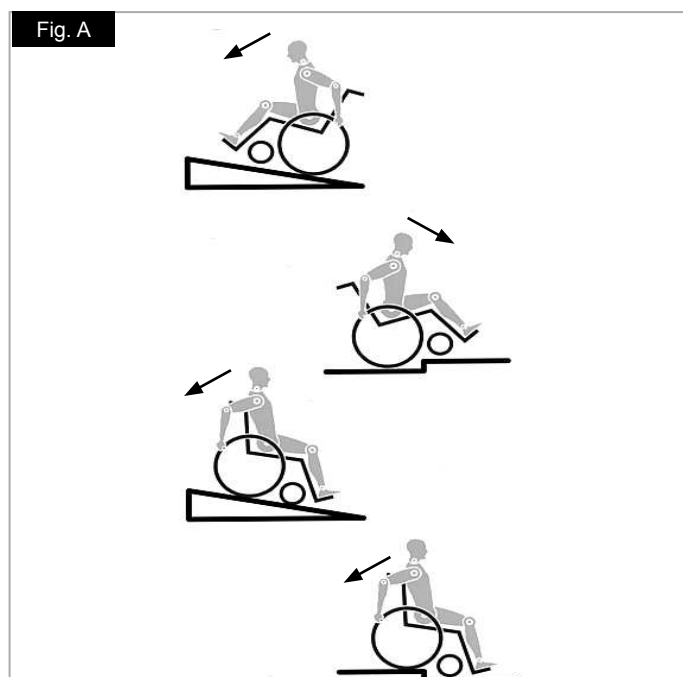


Alvorens aanpassingen van deze rolstoel te wijzigen, is het belangrijk het bijbehorende deel van de gebruiksaanwijzing te lezen.

Het is mogelijk dat de rolstoel door kuilen of oneffen oppervlakken kan kantelen, in het bijzonder wanneer heuvel op of af wordt gereden. Wanneer over een trede of helling op wordt gereden, moet het lichaam naar voren zijn gebogen.

### **GEVAAR!**

- Overschrijd **NOOIT** de maximale belasting van 110 kg of 140 kg (afhankelijk van het frame); dit gewicht geldt voor de gebruiker plus artikelen die worden meegenomen op de rolstoel. Let op de informatie betreffende gewichten voor de lichtgewichtopties. Deze worden apart vermeld. Als u de maximale belasting overschrijdt, kan dit leiden tot schade aan de stoel, of u kunt omvallen of omkantelen, de controle verliezen, wat ernstig letsel aan de gebruiker en andere personen tot gevolg kan hebben.



- Wanneer gebruik wordt gemaakt van een speciaal voor gehandicaptenvervoer ingericht voertuig, dienen de personen die worden vervoerd, voor zover mogelijk, gebruik te maken van de stoelen van het voertuig en het juiste gordelsysteem. Alleen op deze wijze genieten de personen optimale bescherming indien een ongeluk plaatsvindt. Wanneer u de veiligheidselementen van SUNRISE MEDICAL en een speciaal ontwikkeld veiligheidssysteem gebruikt, kunnen lichtgewicht rolstoelen tijdens vervoer in een speciaal uitgerust voertuig als stoel worden gebruikt. (Zie het hoofdstuk over "Vervoer").
- Om vallen en gevaarlijke situaties te voorkomen, is het verstandig om eerst met uw nieuwe rolstoel te oefenen op een vlakke ondergrond, bij goed zicht.
- Deze rolstoel mag alleen worden gebruikt om één persoon per keer te vervoeren. Iedere andere manier van gebruik komt niet overeen met het bedoelde gebruik.
- Gebruik de voetplaten niet als u in of uit de rolstoel stapt. Deze moeten van tevoren omhoog worden geklapt en zo ver mogelijk naar buiten worden gedraaid.
- Afhankelijk van de diameter en instelling van de zwenkwielen evenals de instelling van het zwaartepunt van de rolstoel, kunnen de zwenkwielen op hoge snelheid beginnen te trillen. Hierdoor kunnen de zwenkwielen geblokkeerd raken en kan de rolstoel omkantelen. Zorg er daarom goed voor dat de zwenkwielen goed zijn aangepast (zie het hoofdstuk "Zwenkwielen").
- Wanneer u op een helling rijdt, moet de rolstoel zijn voorzien van remmen en moet u een lage snelheid aanhouden. Dit product is getest tot een maximale snelheid van 10 km/u. Bij hogere snelheden, afhankelijk van de uitvoering en/of de lichamelijke constitutie en de fysieke capaciteiten van de gebruiker, kunnen de zwenkwielen onverwachts wiebelen. Dit kan leiden tot letsel bij de gebruiker.
- Door zijwaarts te rijden op een helling of glooiing, wordt de kans vergroot dat de rolstoel zijwaarts kantelt.
- Onderzoek het effect van het veranderen van het zwaartepunt op het gedrag van de rolstoel op bijvoorbeeld hellingen of wanneer u obstakels neemt. Doe dit met de hulp van een begeleider
- We raden aan dat nieuwe gebruikers anti-tip gebruiken.
- Met anti-tip kan de stoel niet onbedoeld achterover kantelen. Ze mogen in geen geval de transitwielen vervangen en gebruikt worden om een persoon in een rolstoel te vervoeren als de achterwielen zijn verwijderd.

- Met extreme instellingen (bijv. achterwielen in de voorste positie) en minder dan perfecte houding, kan de rolstoel zelfs op een effen oppervlak omkantelen.
- Leun met uw bovenlichaam naar voren als u hellingen en opstapjes opgaat.
- Leun met uw bovenlichaam verder naar achteren, wanneer u van een helling of afstapje afgaat.
- Hang geen zware voorwerpen, zoals boodschappentassen of rugzakken, aan de duwhandvatten, hoofdsteun of rugleuning van de rolstoel.
- Deze kunnen het kantelpunt veranderen en er is een risico op achterwaarts kantelen. Zorg ervoor dat u niet te ver uit de rolstoel leunt wanneer u voorwerpen wilt pakken (die zich voor, naast of achter de rolstoel bevinden). Hierdoor kan het zwaartepunt veranderen en ontstaat het risico op kantelen of omrollen.
- Gebruik uw rolstoel alleen voor het daarvoor bestemde doel. Bijvoorbeeld, probeer niet tegen een voorwerp op te rijden zonder te remmen (opstapje, trottoirrand) of verschillen in afstapjes.
- Gebruik geen trappen zonder de hulp van een begeleider. Er bestaan middelen om u te helpen, bijv. hellingen op te gaan of de lift te gebruiken. Wij raden u aan deze te gebruiken. Als deze middelen niet beschikbaar zijn, dan moet de rolstoel worden gekanteld en over de treden worden geduwd (2 begeleiders).
- Over het algemeen moeten anti-tip wielen vooraf zodanig worden ingesteld dat ze de treden niet kunnen raken, omdat dit tot een ernstige val zou kunnen leiden. Naderhand moeten de anti-tip wielen weer in de oude positie worden teruggebracht.
- Zorg ervoor dat de begeleider de rolstoel alleen aan stevig bevestigde onderdelen vasthoudt (bijv. niet aan de voetsteunen of zijbescherming).
- Wanneer u de rolstoellift gebruikt, dient u ervoor te zorgen dat de aangebrachte anti-tip wielen buiten de gevarezone zijn geplaatst.
- Gebruik de remvergrendeling om de stoel vast te zetten wanneer u zich op ongelijke grond bevindt of wanneer de rolstoel bijvoorbeeld in een auto wordt geplaatst.
- Gebruikers met een amputatie vanaf de dij, moeten anti-tip wielen gebruiken.
- Controleer voor vertrek of de bandenspanning correct is. Voor de achterwielen moet de druk ten minste 3,5 bar (350 kPa). De maximale druk staat aangegeven op de band.
- De kniehevelremmen functioneren alleen als de bandenspanning voldoende en de instelling juist is (zie het hoofdstuk over 'Wielvergrendeling').
- De wielvergrendeling is niet bedoeld om uw rolstoel mee te vergrendelen. Zij dienen er slechts voor om te voorkomen dat uw rolstoel onbedoeld begint te rollen. Wanneer u op een oneffen oppervlak stopt, dient u altijd uw parkeerremmen te gebruiken om weggrollen te voorkomen. Gebruik altijd beide parkeerremmen anders kan uw rolstoel kantelen.
- De wielvergrendeling is niet ontworpen om gebruikt te worden als rem voor een bewegende rolstoel.
- Gebruik altijd van liften en oprijplaten. Wanneer deze niet beschikbaar zijn, vraag dan hulp van een begeleider. Zij mogen de rolstoel alleen vastpakken bij die onderdelen die goed bevestigd zijn. Als de rolstoel over anti-tip wielen beschikt, moeten deze worden weggeklapt. Een rolstoel mag nooit worden opgetild met een inzittende, maar alleen worden voortgeduwd.
- Indien de zitting of rugbekleding van de rugleuning beschadigd zijn, dient u deze direct te vervangen.
- De stangen aan de achterzijde en de duwhandels zijn niet bedoeld om de stoel op te tillen of te dragen.
- Monteer geen niet-erkende elektronische apparaten, elektrisch of mechanisch aangedreven voortstuwingsapparaten, handfiets, of andere hulpmiddelen aan de rolstoel waardoor het bedoelde gebruik, of de structuur van de rolstoel verandert.
- Alle combinaties met andere medische hulpmiddelen moeten door Sunrise Medical worden goedgekeurd.
- Wees voorzichtig met vuur, en vooral met brandende sigaretten. De banden van de rugleuning en zitting kunnen vlam vatten.
- Wanneer gebruik wordt gemaakt van een speciaal voor gehandicaptenvervoer ingericht voertuig, dienen de personen die worden vervoerd, voor zover mogelijk, gebruik te maken van de stoelen van het voertuig en het juiste gordelsysteem. Alleen op deze wijze genieten de personen optimale bescherming indien een ongeluk plaatsvindt. Wanneer u de veiligheidselementen van SUNRISE MEDICAL en een speciaal ontwikkeld veiligheidssysteem gebruikt, kunnen lichtgewicht rolstoelen tijdens vervoer in een speciaal uitgerust voertuig als stoel worden gebruikt. (Zie het hoofdstuk over "Vervoer").
- Controleer altijd of de quick release assen op de achterwielen goed zijn ingesteld en vergrendeld. Wanneer de knop op de quick release is niet ingedrukt is, kan het achterwiel niet worden verwijderd.
- Met name bij het gebruik van lichtgewicht hoepels, worden vingers gemakkelijk warm bij het remmen op hoge snelheid of op steile hellingen.
- Als de rolstoel langere tijd aan direct zonlicht of zeer lage temperaturen blootgesteld wordt, kunnen sommige delen van de rolstoel, zoals het frame, de beensteunen, de wielvergrendeling en de zijkanten, erg heet (>41°C) of erg koud (<0°C) worden.
- Steek nooit uw handen tussen de spaken of tussen het achterwiel en wielvergrendeling terwijl u rijdt. Dit kan leiden tot letsel aan de handen.
- Draag altijd leren handschoenen wanneer de rolstoel buiten wordt gebruikt. Hierdoor wordt uw grip verbeterd en worden uw vingers tegen vuil en oververhitting beschermd.
- Gebruik de rolstoel niet op hellingen steiler dan > 10°.
- De werking van de Dynamic beveiliging hangt af van de instellingen van de stoel, de capaciteiten van de gebruiker en de rijstijl. Omdat Sunrise Medical vooraf niet kan voorzien hoe de capaciteiten en rijstijl van de gebruiker is, kan de maximale veilig te nemen helling niet worden bepaald. Daarom moet dit door de gebruiker worden bepaald, samen met een begeleider, die kan voorkomen dat de rolstoel kantelt. Sunrise Medical adviseert onervaren gebruikers anti-tip wielen te laten installeren.

- Gebruik de rolstoel niet op modderige of bevroren (gladde) ondergrond.
- Daar waar voetgangers niet zijn toegestaan, mag u ook niet met de rolstoel rijden.
- Bij bewegende onderdelen is er altijd gevaar op beknelde vingers. Wees voorzichtig wanneer u iets wilt veranderen aan de rolstoel.
- De rolstoel dient niet gebruikt te worden tijdens zware regenval, op met sneeuw bedekte ondergrond of op glibberige ondergrond.
- Gebruik de rolstoel niet in een gevaarlijke omgeving.

 **WAARSCHUWING!**

**VERSTIKKINGSGEVAAR** - In dit mobiliteitshulpmiddel zijn kleine onderdelen verwerkt die onder bepaalde omstandigheden een verstikkingsgevaar voor kleine kinderen kunnen vormen.

**Opmerking:**

- De effectiviteit van de wielvergrendeling en de algemene rijeigenschappen hangen af van de bandenspanning. De rolstoel is aanzienlijk lichter en gemakkelijker te manoeuvreren wanneer de achterwielen op de juiste spanning zijn en beide dezelfde spanning hebben.
- De banden van de rolstoel moeten voldoende profiel hebben!
- Let op dat u zich aan alle verkeerswetten moet houden wanneer u zich op de openbare weg begeeft.
- Draag lichte of reflecterende kleding wanneer u in het donker naar buiten gaat. Zo wordt u gemakkelijker gezien. Zorg ervoor dat de reflectoren op de zij- en achterkant van de rolstoel duidelijk zichtbaar zijn. Sunrise adviseert tevens gebruik te maken van verlichting.
- Pas altijd goed op uw vingers wanneer u instellingen of onderdelen van de rolstoel wijzigt of aanpast.
- Het kan zijn dat de getoonde en beschreven product in deze handleiding niet op elk detail precies hetzelfde als uw eigen model is. Alle instructies zijn echter belangrijk, ongeacht de verschillen in detail.
- De fabrikant houdt zich het recht voor zonder opgaaf gegevens met betrekking tot gewicht, maten of andere technische gegevens zoals genoemd in deze handleiding, te wijzigen. Alle afbeeldingen, maten en mogelijkheden zoals getoond in deze handleiding zijn slechts indicatief en bevatten geen specificaties.
- Aanpassingen aan uw rolstoel, vooral als dit onderdelen betreft die met veiligheid te maken hebben, zoals wielvergrendeling, anti-tip of rugleuning, moeten worden uitgevoerd door erkende dealers.
- Controleer wanneer u aankoppel mobiliteitshulpmiddelen gebruikt, zoals handbikes, elektrische aankoppelfietsen etc., of uw rolstoel is uitgerust met de juiste voorvorken voor dat gebruik.

**Levensduur**

- De verwachte levensduur van dit product is 5 jaar.



## 2.0 Transport

### ⚠ GEVAAR!

Indien dit advies wordt genegeerd ontstaat het risico op ernstig letsel of overlijden.

Het vervoer van uw rolstoel in een voertuig:

Een in een voertuig vastgezette rolstoel biedt niet dezelfde veiligheid als een normale stoel en veiligheidssysteem in dat voertuig. Sunrise adviseert altijd om de rolstoelgebruiker over te brengen naar een stoel van het voertuig. Sunrise Medical erkent dat het niet altijd praktisch is om een rolstoelgebruiker over te brengen naar een gewone stoel in het voertuig. Wanneer de gebruiker vervoerd moet worden in de rolstoel, moet onderstaand advies worden opgevolgd:

1. Controleer of het voertuig over de juiste hulpmiddelen beschikt om een passagier in een rolstoel te vervoeren. Controleer tevens of de methode om in en uit het voertuig te komen, geschikt zijn voor uw type rolstoel. De vloer van het voertuig moet sterk genoeg zijn om het totale gewicht van de rolstoelgebruiker, de rolstoel en de accessoires te dragen.
2. Rondom de rolstoel dient voldoende ruimte te zijn om de spanbanden en veiligheidsgordels te bevestigen en de rolstoel goed en gemakkelijk vast te zetten en los te maken.
3. De stoel met daarin de gebruiker moet in de rijrichting worden geplaatst. De rolstoel dient te worden vastgezet met spanbanden en voor de gebruiker dienen veiligheidsgordels gebruikt te worden, waarbij wordt voldaan aan de normen ISO 10542 of SAE J2249 en aan de WTORS instructies van de fabrikant.
4. De rolstoel is niet getest in andere posities binnen een voertuig. De rolstoel met daarin de gebruiker mag nooit in zijwaartse richting worden vervoerd (Fig. A).

5. De rolstoel moet worden vastgezet met een bevestigingssysteem dat voldoet aan ISO 10542 of SAE J2249, met niet-verstelbare banden aan de voorzijde en verstelbare banden aan de achterzijde, die worden bevestigd door middel van karabijnhaken/S-haken en gesp en gordel bevestigingen. De bevestigingen bestaan doorgaans uit vier aparte banden die vastgemaakt worden aan iedere hoek van de rolstoel.

6. De verankeringsbanden moeten aan het frame van de rolstoel worden bevestigd zoals aangegeven in de tekening op de volgende pagina. Ze mogen niet worden bevestigd aan accessoires, wielspaken, wielvergrendeling, voetsteunen en dergelijke.

7. De verankeringsbanden dienen in een hoek van 45 graden zo dicht mogelijk bij de stoel bevestigd te worden; de banden moeten strak vastgezet worden in overeenstemming met de instructies van de fabrikant.

8. De verankeringspunten, frame en structurele onderdelen van de rolstoel mogen niet zonder overleg met de fabrikant worden gewijzigd of vervangen. Dergelijke wijzigingen kunnen de rolstoel van Sunrise Medical ongeschikt maken voor transport in een voertuig.

9. Zowel de heupgordel als de veiligheidsgordel voor het bovenlichaam moet worden gebruikt om de rolstoelgebruiker goed in de rolstoel te laten zitten.

Hierdoor wordt het risico verkleind dat hoofd en borst in botsing komen met onderdelen van het voertuig. Tevens wordt risico verkleind dat de rolstoelgebruiker of de andere inzittenden van het voertuig geblesseerd raken.

(Fig. B) De bovenlichaamsgordel dient bevestigd te worden aan de "B" stang van het voertuig. Indien dit wordt nagelaten, wordt het risico van ernstig (onder) buikletsel van de gebruiker vergroot.

10. Tijdens het transport dient men gebruik te maken van een hoofdsteun die geschikt is voor transport (zie etiket van de hoofdsteun). Deze moet gedurende het hele transport op de juiste wijze zijn aangebracht.

11. Lichaamsondersteunende gordels (zoals heupgordels) mogen niet worden gebruikt als veiligheidsgordel voor een rolstoelgebruiker, tenzij deze voldoen aan de normen zoals gespecificeerd in ISO 7176-19:2001 of SAE J2249.

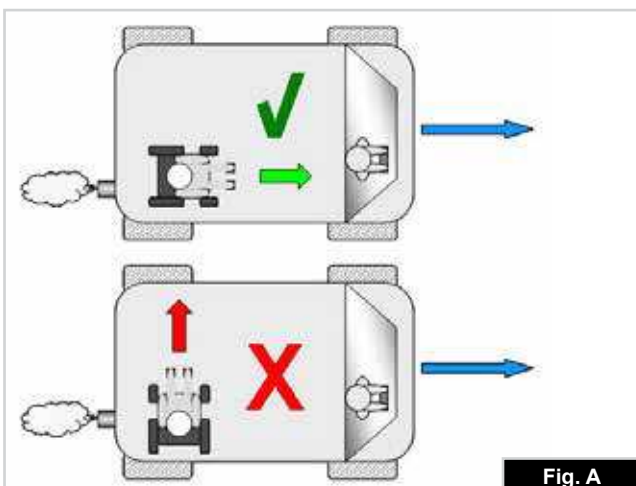


Fig. A

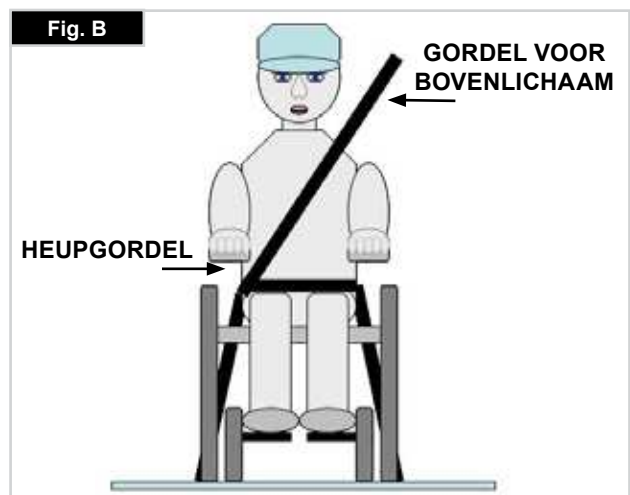


Fig. B

12. De veiligheid van de rolstoelgebruiker tijdens het transport hangt af van de nauwkeurigheid waarmee de verankeringsbanden worden bevestigd. De persoon/ personen die de verankerung tot stand brengt/brengen, moet(en) op juiste wijze zijn geïnstrueerd en getraind.
13. Verwijder waar mogelijk hulpmiddelen en accessoires en berg deze veilig op. Hierbij kunt u denken aan: Krukken, losse kussens en werkbladen.
14. Een scharnierende/opgetilde beensteun mag zich niet in opgetilde positie bevinden tijdens transport van de rolstoel en gebruiker wanneer de rolstoel is verankerd met verankeringsbanden en veiligheidsgordels.
15. Een gekantelde rugleuning moet in rechte positie worden gezet.
16. De handmatige wielvergrendeling moet strak toegepast worden.
17. Veiligheidsgordels moeten worden bevestigd aan de "B" stang van het voertuig en mogen niet van het lichaam afgehouden worden door bijvoorbeeld armsteunen of wielen.

**Instructies voor veiligheidsgordels:**

1. De heupgordel moet laag worden bevestigd over de voorzijde van de heup, zodanig dat de hoek van de heupgordel zich binnen de horizontale voorkeurszone van 30 tot 75 graden bevindt. Hoe groter de hoek binnen deze begrenzing, hoe beter, maar de hoek mag nooit groter zijn dan 75 graden. (Fig. C).
2. De bovenlichaamgordel moet over de schouder en diagonaal over de borst worden gedragen, zoals op de afbeelding weergegeven. Fig. D en E. De gordels moeten zo strak mogelijk worden gebruikt, maar moeten altijd comfortabel zijn voor de gebruiker. Veiligheidsriemen mogen niet gedraaid zitten tijdens gebruik. De gordel voor het bovenlichaam moet dwars over de schouder worden bevestigd, zoals getoond in afbeeldingen D en E.

3. De bevestigingspunten van de stoel bevinden zich aan de binnenzijde aan de voorkant van het frame vlak boven het zwenkwiel en aan het frame aan de achterzijde. De banden worden rond het frame aan de zijkanten geplaatst waar de horizontale en verticale buizen van het frame elkaar kruisen. (Zie Fig. G - H)

4. Op het frame van de rolstoel wordt door middel van het symbool voor het verankeringspunt (Fig. F) aangegeven waar de verankeringsbanden geplaatst moeten worden. De banden worden strak getrokken nadat de banden aan de voorzijde zijn aangebracht om de rolstoel te borgen.

**GEWICHT VAN GEBRUIKER MINDER DAN 22 KG (48 lb 8.0 oz)**

Wanneer de gebruiker die wordt vervoerd een kind is dat minder dan 22kg weegt, en het betrokken voertuig minder dan acht (8) inzittenden heeft, wordt het aanbevolen dat het kind wordt overgeplaatst naar een kinderzitje met veiligheidsgordels dat voldoet aan de UN-ECE R44 regelgeving.

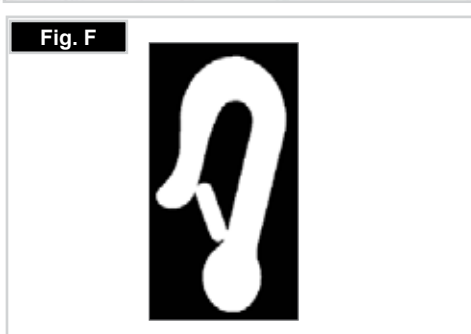
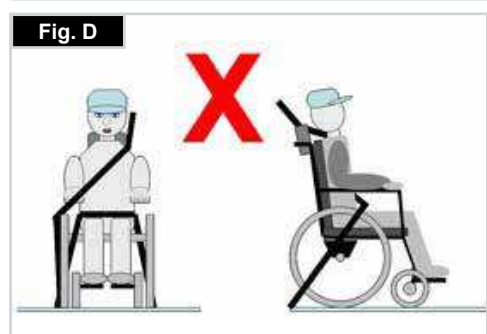
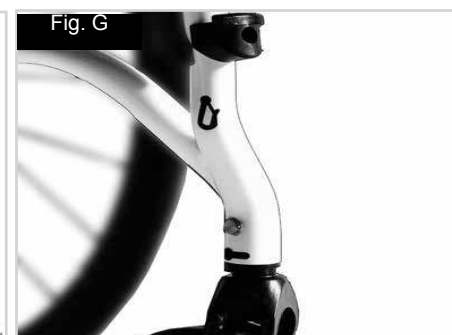
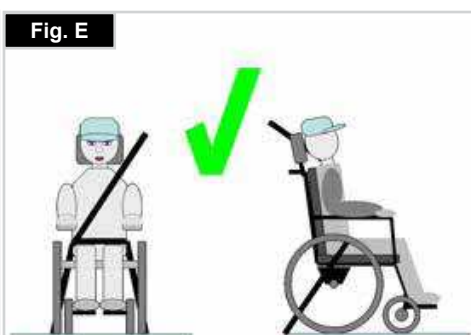
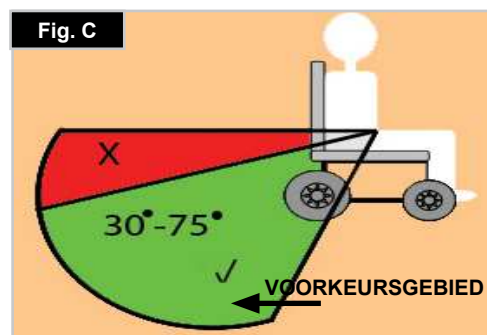
Dit type gordelsysteem biedt een doelmatiger gordelsysteem dan het conventionele 3-puntsgordelsysteem. Daarbij bieden sommige kinderzitjes ook extra ondersteunende elementen waardoor de houding van het kind wanneer het zit, beter wordt ondersteund.

In sommige omstandigheden kunnen de ouders of zorgverleners overwegen om het kind in de rolstoel te laten zitten tijdens transport, als de rolstoelinrichting het kind veel lichaamsondersteuning en comfort biedt. In dergelijke omstandigheden adviseren we een risicobeoordeling te laten uitvoeren door uw medische deskundige of andere relevante personen die over de vereiste kennis beschikken.

**Vervoer - de plaatsing van verankeringsbanden op de rolstoel**

De rolstoel vastgemaakt met verankeringsbanden aan de voorzijde. (Fig. G).

De plaats van de verankeringsbanden aan de achterzijde van de rolstoel (Fig. H).



### Garantie:

DIT HEEFT OP GEEN ENKELE WIJZE INVLOED OP UW WETTELIJKE RECHTEN.

### Garantievoorwaarden

- 1) De reparatie of vervanging wordt door een erkende Sunrise Medical dealer uitgevoerd.
- 2) Om aan de garantievoorwaarden te voldoen dient u, bij eventueel noodzakelijke servicewerkzaamheden op uw rolstoel krachtens deze overeenkomst, onmiddellijk contact op te nemen met de aangewezen onderhoudsmonteur van Sunrise Medical met nauwkeurige gegevens over het soort probleem dat u ondervindt. Indien u de rolstoel gebruikt buiten de regio van de aangewezen Sunrise Medical onderhoudsmonteur, wordt werk krachtens de "Garantievoorwaarden" uitgevoerd door een andere, door de fabriek aangewezen, onderhoudsmonteur.
- 3) Indien een onderdeel van de rolstoel gerepareerd of vervangen moet worden, als gevolg van een specifiek gebrek van fabricage of materiaal, binnen 24 maanden, (5 jaar voor het frame en het kruisframe) vanaf de datum waarop het eigendom van het product werd overgedragen naar de oorspronkelijke koper, en op voorwaarde dat deze koper nog steeds de eigenaar is, wordt het onderdeel of worden de onderdelen zonder kosten vervangen of gerepareerd, op voorwaarde dat de rolstoel wordt teruggebracht naar de erkende dealer.

### Opmerking:

Deze garantie is niet overdraagbaar.

- 4) Deze garantie dekt eveneens alle gerepareerde of vervangen onderdelen voor de resterende garantieperiode van de rolstoel.
- 5) Wij geven een extra 24 maanden garantie voor reserveonderdelen die na de aanvang van de oorspronkelijke garantie zijn aangebracht.
- 6) Aan slijtage onderhevige onderdelen worden normaliter van de garantie uitgesloten, behalve in het geval dat voortijdige slijtage van het onderdeel het directe gevolg van een fabricagefout is. Tot verbruiksgoederen worden onder andere gerekend: bekleding, banden, interne buizen en dergelijke.
- 7) Bovenstaande garantievoorwaarden gelden voor alle productonderdelen, voor modellen die voor de volle handelsprijs gekocht zijn.
- 8) Onder normale omstandigheden wordt geen verantwoordelijkheid aanvaard wanneer de rolstoel reparatie of vervanging behoeft als een rechtstreeks gevolg van het feit dat:
  - a) Het product of onderdeel is niet onderhouden in overeenstemming met de aanbevelingen van de fabrikant, zoals uiteengezet in de gebruikershandleiding en/of de onderhoudsinstructies. Er zijn accessoires gebruikt die niet gespecificeerd zijn als originele onderdelen.
  - b) De rolstoel of het onderdeel is beschadigd door nalatigheid, ongeval of oneigenlijk gebruik.
  - c) Wijzigingen aan de rolstoel of onderdelen daarvan, die niet in overeenstemming zijn met de specificaties van de fabrikant, of het uitvoeren van reparaties alvorens contact werd opgenomen met de onderhoudsmonteur/dealer.

**Inklappen**

Verwijder het zitkussen uit de rolstoel en klap de voetenplank of -steunen omhoog. Pak de sling in het midden vanaf de achterkant, of de stangen van de zitting (Fig. 4.1), en trek de sling of de stangen omhoog, totdat de vouwbeugel op zijn plaats klikt (Fig. 4.2).

**Vervoer**

Om de stoel te verplaatsen, tilt u de opgevouwen stoel op door hem aan de voorkant van het kruisframe en de duwhandvatten vast te houden.

**Uitklappen**

Duw de ontgrendelingshendel van de vouwbeugel (Fig. 4.3) naar beneden en duw beide framehelften uit elkaar. Druk vervolgens op de stang van de zitting (zie afbeelding). Uw rolstoel is dan uitgeklappt. Klik de zitbuizen in hun positie in het zadel van de zitting. Dat gaat makkelijker als u de rolstoel wat opzij kantelt. Zo haalt u namelijk het gewicht weg van één van de achterwielen. **Zorg ervoor dat uw vingers niet tussen de gekruiste buizen raken.** Plaats het kussen van de zitting. (Fig. 4.4).

**Zelf in uw rolstoel stappen** (Fig. 4.5)

- Duw de rolstoel tegen een muur of een stevig meubelstuk;
- Gebruik van de wielvergrendeling;
- Klap de voetsteunen omhoog;
- De gebruiker kan zich in de rolstoel laten zakken;
- Vouw de voetplaten terug naar beneden en plaats uw voeten voor de hielband.

**Zelf uit uw rolstoel stappen** (Fig. 4.6)

- Gebruik van de wielvergrendeling;
- Klap de voetplaten omhoog.
- Steun vervolgens met één hand op de armleuning en buig iets naar voren om het lichaamsgewicht naar de voorkant van de stoel te brengen. Zet beide voeten stevig op de grond, de ene voet achter de ander, en duw uzelf omhoog naar een opwaartse positie.

**⚠ WAARSCHUWING!**

- Sta niet op de voetplaten tijdens overplaatsingen. De kans is groot dat de rolstoel voorover kantelt wanneer u op de voetplaten gaat staan.
- Zet altijd uw voeten stevig op de grond voordat u in of uit de rolstoel stapt.
- Vergrendel altijd de wielen bij het in- en of uitstappen uit de rolstoel.

Fig. 4.1



Fig. 4.2

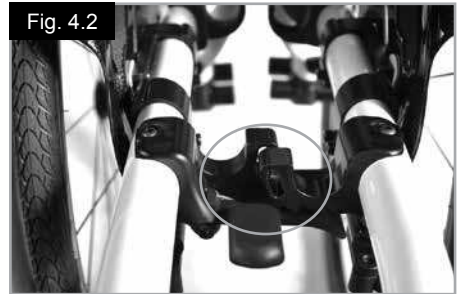


Fig. 4.3



Fig. 4.4



Fig. 4.5

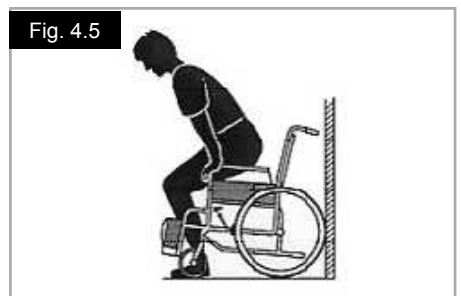


Fig. 4.6





## 5.0 Quick-release wielen

### Quick release assen op de achterwielen

De achterwielen zijn uitgerust met quick release assen. Zo kunt u de wielen zonder gereedschap monteren of verwijderen. Om een wiel te verwijderen, drukt u gewoon de quick release knop op de as in en trekt u het wiel weg van de as. (Fig. 5.1).

### Quick-release voor tetraplegie

Doe de ontgrendelingshendel omhoog (1). Het uitnemen van de quick release assen en/of de wielen.

Druk de ontgrendelingshendel weer naar beneden wanneer de wielen/quick release assen weer op de rolstoel zijn bevestigd.

Controleer altijd of het vergrendelingsmechanisme gesloten en volledig vergrendeld is, voordat de rolstoel weer wordt gebruikt. (Fig. 5.29).

### WAARSCHUWING!

- Houd de quick release as ingedrukt terwijl u de as in het frame steekt om de achterwielen te monteren. Laat de knop los om de as op zijn plaats te vergrendelen. De quick release knop zou weer op zijn oorspronkelijke plaats moeten klikken.
- Gevaar op letsel. Let op dat uw vingers niet beklemd raken in het draaiende wiel. Stop altijd het draaien van het wiel voordat u de wielen verwijdert.

## 6.0 Opties

### 6.1 Trapdop

De trapdop kan door begeleiders worden gebruikt om de rolstoel over een obstakel te duwen. Trap gewoon op de buis om een rolstoel bijvoorbeeld over een stoep of een trede te duwen (Fig. 6.1.1).

### 6.2 Remmen

### OPGELET!

De remkracht kan worden beïnvloed door onjuiste montage en afstelling van de wielvergrendeling en een te lage bandenspanning.

### Remmen

Uw rolstoel heeft twee wielvergrendelingen. Ze komen rechtstreeks op de banden terecht. Om de vergrendelingen te gebruiken, drukt u beide vergrendelingshendels naar voren tot tegen de aanslagen. Om de vergrendeling ongedaan te maken, trekt u de hendels weer naar hun oorspronkelijke positie.

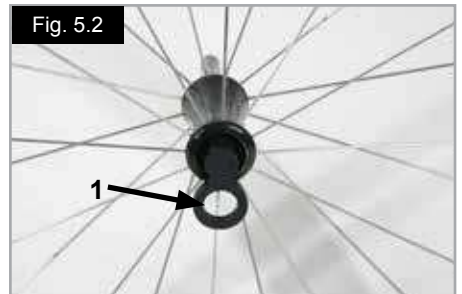
Het remvermogen vermindert wanneer:

- het loopvlak van de band versleten is;
- de bandendruk niet voldoende is;
- de banden nat zijn;
- de wielvergrendelingen niet goed afgesteld zijn.

De wielvergrendeling is niet ontworpen om gebruikt te worden als rem voor een bewegende rolstoel. De wielvergrendeling moet daarom nooit worden gebruikt als rem voor een bewegende rolstoel. Rem altijd met behulp van de hoepels. Zorg ervoor dat de afstand tussen de banden en de wielvergrendelingen voldoet aan de vermelde specificaties. Om die afstand aan te passen, draait u de schroef los en stelt u de juiste afstand in. Draai vervolgens de schroeven weer aan (Fig. 6.2.1 en Fig.6.2.2).

### OPGELET!

Telkens wanneer u de achterwielen hebt bijgesteld, moet u nagaan of de afstand tot de wielvergrendelingen in orde is. Pas die indien nodig aan.





## Verlenging hendel wielvergrendeling

Het gebruik van de langere hendel kost u minder moeite om de wielvergrendeling in werking te zetten. De verlenging van de hendel van de wielvergrendeling wordt op de wielvergrendeling geschroefd. Door deze op te lichten, kan hij naar voren worden gekanteld. (Fig. 6.2.3).

### OPGELET!

Wanneer u de wielvergrendeling te dicht bij het wiel monteert, zal deze moeilijker te hanteren zijn. Hierdoor kan de verlengde hendel breken!

### WAARSCHUWING!

Wanneer u bij het in- of uitstappen op de verlengde hendel van de wielvergrendeling leunt, kan deze afbreken! Opspattend water en vuil van de banden kan slecht functioneren van de wielvergrendelingen veroorzaken.

## Compacte wielvergrendeling

De compacte wielvergrendelingen bevinden zich onder de zitmat. Door de wielvergrendelingen naar achteren te trekken, in de richting van de band, worden ze in werking gesteld. Om de wielvergrendelingen correct te laten functioneren, moeten ze volledig tegen de aanslagen worden geduwd, (Fig. 6.2.4).

### OPGELET!

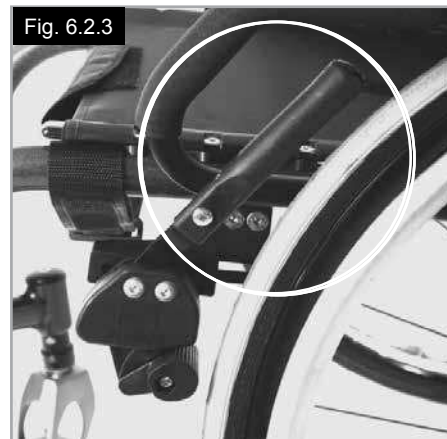
- Door verkeerde montage van de wielvergrendeling kan het meer moeite kosten om deze gebruiken. Hierdoor kan de verlengde hendel van de wielvergrendeling afbreken!
- De bevestigingsbouten van de rem mogen niet losgedraaid en/of opnieuw vastgedraaid worden.

## Trommelremmen

Trommelremmen helpen een begeleider om veilig en goed te remmen. U kunt deze ook gebruiken met behulp van een vergrendelingshendel (1) om te voorkomen dat u weggolt. U moet de hendel in zijn plaats horen klikken. Trommelremmen werken onafhankelijk van de luchtdruk in de banden (Fig. 6.2.5).

### WAARSCHUWING!

- U mag de trommelremmen alleen door erkende dealers laten aanpassen.
- Gebruik de 2 trommelremmen altijd tegelijkertijd zodat u de controle over de rijrichting behoudt!
- Trommelremmen kunnen uitsluitend als dynamische rem worden gebruikt om de rolstoel te stoppen wanneer deze in beweging is.
- Schakel altijd de wielvergrendeling in tijdens een lange of korte stop, of bij het overplaatsen van de gebruiker, om de rolstoel op zijn plaats te houden.



## 6.3 Voetensteunen

Er zijn verschillende voetplaten beschikbaar voor de Xenon. De voetplaten kunnen worden opgeklapt om gemakkelijker in en uit uw rolstoel te komen. Ze worden afzonderlijk omschreven.

### Lengte van het onderbeen

Door de klemschroef los te draaien (Fig. 6.3.1), kunt u de lengte voor het onderbeen verstellen. Draai de bout los en verstel de buis met de voetplaat naar de gewenste positie. Draai de schroeven weer vast. (zie de pagina over torque). Controleer goed of de plastic verbinding in de juiste positie onder de schroef is geplaatst.

### WAARSCHUWINGEN!

- Sta niet op de voetplaten tijdens overplaatsingen. De kans is groot dat de rolstoel voorover kantelt wanneer u op de voetplaten gaat staan. Zet altijd uw voeten stevig op de grond voordat u in of uit de rolstoel stapt.

### Voetsteun

De voetsteunen kunnen omhoog worden geklapt waardoor het gemakkelijker is om in of uit de rolstoel te komen. De voetsteunen kunnen ten opzichte van een vlak oppervlak ook in zes verschillende hoeken worden gekanteld. Draai de schroef (1) aan de buitenzijde stevig vast. Door de klemmen (2) te verwijderen, kan de voetsteun worden versteld naar drie verschillende posities, zowel naar de voorkant als naar de achterkant. Maak de stelschroef (3) los om de horizontale positie van de voetplaat te wijzigen. Hiertoe moet de voetplaat omhoog worden geklapt (Fig. 6.3.2 tot Fig. 6.3.4). Als u klaar bent, moet u controleren of alle schroeven stevig aangedraaid zijn (zie de pagina over torque sleutel). Er moet altijd minimaal 2,5 cm ruimte boven de grond worden aangehouden.

Fig. 6.3.1



Fig. 6.3.2



Fig. 6.3.3



Fig. 6.3.4



## Aanpassing van breedte van de voetsteunen

Wanneer de breedte van de voetsteunen aangepast moet worden, draai dan schroef (1) los, kies de gewenste breedte door 1, 2 of 3 stelringen (2) van de buitenzijde naar binnen te stellen. Plaats hierna de schroeven terug, (Fig. 6.3.5).

## Lichtgewicht voetsteun

De hoek van de voetplaat kan worden aangepast door de schroeven (2) los te draaien. De beschermingspanelen voor de zijkant kunnen via de gaatjes (3) aan de voetplaat worden bevestigd. Hierdoor wordt voorkomen dat de voeten per ongeluk van de voetsteunen glijden (Fig. 6.3.6). Controleer na aanpassingen altijd of alle schroeven correct zijn aangedraaid (zie ook de pagina betreffende draaikracht/torque).

## Breedte-instelling

Om de breedte van de voetplaat in te stellen, draait u de schroef (2) los. Hierna kunt u de buizen in de houder verstellen om de breedte van de voetplaat aan te passen (Fig. 6.3.6). Controleer of alle schroeven met de juiste torque zijn aangedraaid.

## Automatisch zwenkbare voetsteun

De hoek van de voetsteun kan worden veresteld door de schroeven (1) los te draaien en de voetsteun te draaien. Let bij het aandraaien van de schroeven op de torque-instellingen (Fig. 6.3.7).

## Hoog gemonteerde voetenplaat

De hoog gemonteerde voetenplaat is bevestigd op het binnenste deel van het frame. Deze voetenplaat kan hoger worden ingesteld dan de standaard voetenplaat (Fig. 6.3.8)

Fig. 6.3.5

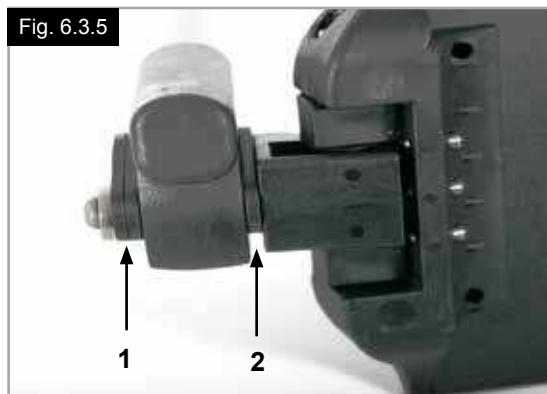


Fig. 6.3.6

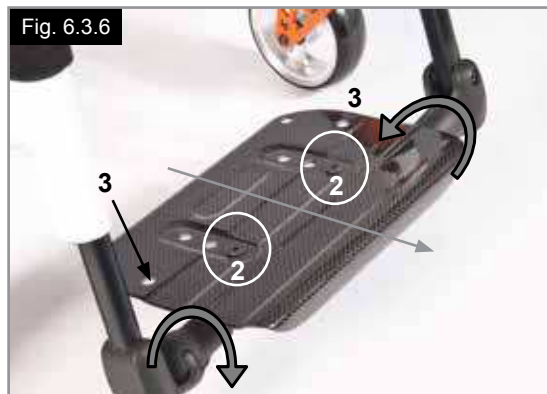


Fig. 6.3.7



Fig. 6.3.8



## 6.4 Zitting

### Zitmat

De zitting kan qua spanning worden aangepast door enkele banden te gebruiken. Om de spanning van de zitting aan te passen, moeten alle banden open zijn. Door aan de banden te trekken wordt de spanning van de zitting strakker (Fig. 6.4.1).

### OPMERKING:

Als de spanning te groot is, kan het kruisframe niet in het zadel glijden.

### De zithoogte instellen:

#### Lichtgewicht adapter

Om de hoogte van zitting aan te passen:

- Verwijder de rubber stoppen (3) die zich in de sleuf aan de achterzijde van de as-schacht bevinden. Verwijder de inbusschroeven (1) met een inbussleutel. Plaats de asbeugel (2) op de as-schacht (4) volgens de gewenste zithoogte (Fig. 6.4.2).
- Om de laagst mogelijke zithoogte te bereiken, kan de asbeugel omgekeerd worden gemonteerd.
- Draai de inbusschroeven (1) weer aan naar 8 Nm.
- Plaats de rubber stoppen terug.

#### Standaard adapter

Om de hoogte van zitting aan te passen:

- Verwijder de rubber stoppen (3) die zich in de sleuf aan de achterzijde van de as-schacht bevinden.
- Verwijder de inbusschroeven (1) met een inbussleutel. Plaats de asbeugel (2) op de as-schacht (4) volgens de gewenste zithoogte (Fig. 6.4.3).
- Draai de inbusschroeven (1) weer aan naar 8 Nm.
- Plaats de rubber stoppen terug.

### OPMERKING:

- Een aanpassing aan de hoek van de zwenkwiel kan noodzakelijk zijn wanneer de zithoogte achter wordt ingesteld.
- Als de as-adapter verplaatst of verwijderd werd bij het aanpassen van de zithoogte, moet de uitlijning van de wielen en wielbasis worden gecontroleerd, en indien nodig, worden aangepast (zie ook het hoofdstuk 'Uitlijning wielen').

### ⚠ OPGELET!

Sommige schroeven die tijdens de fabricage worden gebruikt, zijn voorzien van een schroefdraadborgingsmiddel (blauwe stip op de draad) en kunnen slechts drie keer worden versteld voordat ze vervangen moeten worden door nieuwe schroeven met schroefdraadborgingsmiddel. Eventueel kunnen de schroeven opnieuw worden gebruikt waarbij het schroefdraadborgingsmiddel Loctite™ 243 wordt gebruikt.

Fig. 6.4.1

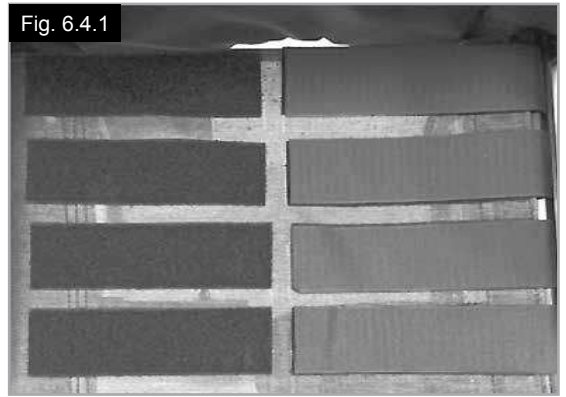


Fig. 6.4.2

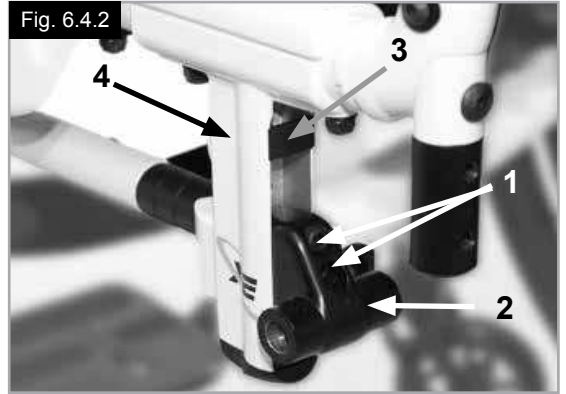
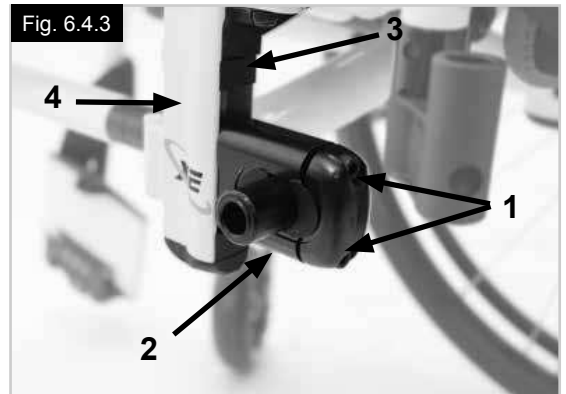


Fig. 6.4.3





## Zwaartepuntinstelling

Er zijn in principe twee mogelijkheden om de zwaartepuntinstelling te wijzigen. Aanpassingen kunnen direct op de asbeugel worden gedaan (alleen bij standaard-adapter), door de stelstukken, in de vorm van een halve maan, van de ene zijde naar de andere zijde te plaatsen. Om grotere aanpassingen te doen, moet u de positie van de as-schacht op het frame wijzigen.

### OPMERKING:

- Aanpassingen aan het zwaartepunt kunnen leiden tot een instabiele rolstoel met kans op omkantelen. Hiervoor is de anti-tip nodig.
- Mogelijk moet de hoek van de zwenkwielen worden aangepast wanneer het zwaartepunt wordt gewijzigd.

### Wijziging van de positie van de as-schacht

Haal met behulp van de quick-release assen de wielen uit de hoekadapter.

Draai beide schroeven (1) en haal ze er helemaal uit. Plaats de as-schacht op de gewenste positie op het frame, doe de schroeven terug in de geperforeerde plaat en draai de schroeven aan. Wanneer u de as-schacht verplaatst, dient u ook het zittingszadel op het frame te verplaatsen (wijzig de as-schacht en het zittingszadel). Controleer of de linker- en rechterzijde op dezelfde posities zijn geplaatst. Gebruik de gegeven draaikracht van 8 Nm (Fig. 6.4.4 - Fig. 6.4.5).

### Instelling zwaartepunt op de standaard asbeugel

Aanpassingen kunnen direct op de asbeugel worden gedaan (alleen bij standaard-adapter), door de stelstukken, in de vorm van een halve maan, van de ene zijde naar de andere zijde te plaatsen. Er zijn 3 posities mogelijk (Fig. 6.4.6 tot Fig. 6.4.8). Gebruik de quick-release-assen en neem de wielen uit de as-adapter (4). Verwijder de inbusschroeven (1) met een inbussleutel. Verwijder het lid (2) van de asbeugel en stel de stelstukken in de vorm van een halve maan (3) zoals u het zwaartepunt wilt hebben. Plaats het lid terug en draai de inbusschroeven (1) weer aan naar 8 Nm.

**OPMERKING:** Als de as-adapter verplaatst of verwijderd werd bij het aanpassen van het zwaartepunt, moet de uitlijning van de wielen en wielbasis worden gecontroleerd, en indien nodig, worden aangepast (zie ook het hoofdstuk 'Uitlijning wielen').

Fig. 6.4.4

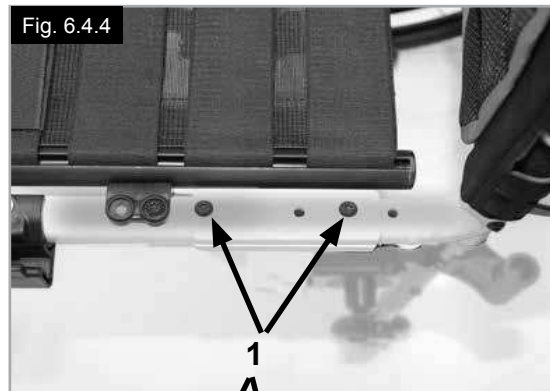


Fig. 6.4.5

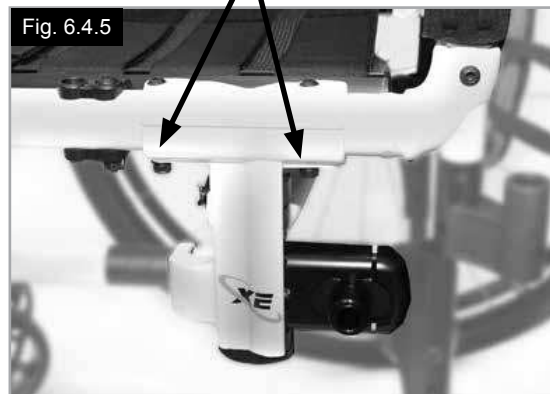


Fig. 6.4.6

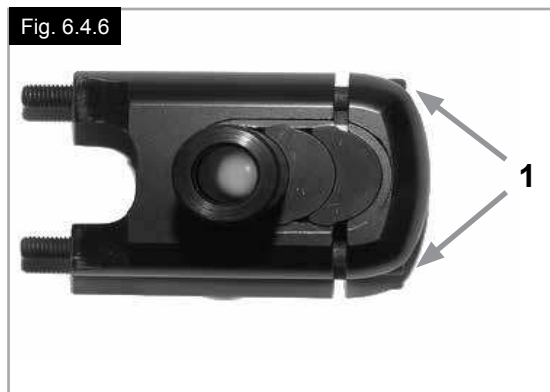
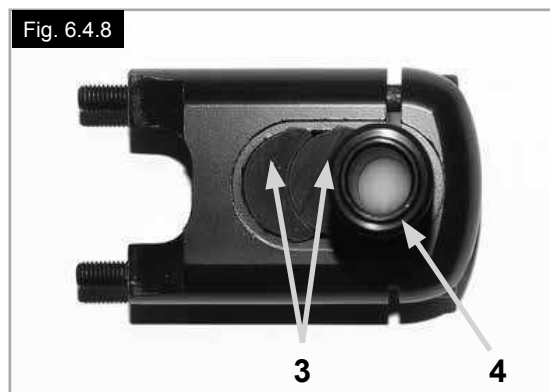


Fig. 6.4.7



Fig. 6.4.8





## 6.5 Zwenkwielen

### Stellen van het zwenkwiel, zwenkwiel-adaptor en zwenkwielvork

Als de rolstoel enigszins naar links of rechts trekt, of als de zwenkwielen trillen, kan dit worden veroorzaakt door een of meer van de onderstaande factoren:

- De voorwaartse en/of achterwaartse wielbeweging is niet goed ingesteld.
- De camber is niet goed afgesteld.
- De luchtdruk van het zwenkwiel en/of van het achterwiel is niet goed; de wielen draaien niet soepel genoeg.

Om de rolstoel in een rechte lijn te laten rijden, moeten de zwenkwielen optimaal worden aangepast.

U moet de voorwielen laten afstellen door een erkend dealer. Telkens wanneer de positie van het achterwiel is veranderd, moet het balhoofd opnieuw worden aangepast en de wielvergrendelingen gecontroleerd.

#### Het zwenkwiel instellen

Om ervoor te zorgen dat beide vorken parallel worden ingesteld, moet u de tanden tellen die aan beide kanten zichtbaar zijn. Nadat u de zwenkwielvork heeft ingesteld, zorgen de tanden voor een stevige positie, en kan een aanpassing van  $16^\circ$  met stappen van  $2^\circ$  worden aangebracht, (Fig. 6.5.1).

Gebruik de vlakke zijde aan de voorkant van de zwenkwielvork om te controleren dat de positie een rechte hoek met de grond vormt.

Met het gepatenteerde ontwerp kan de zwenkwielvork zodanig worden gedraaid, dat het op een rechte hoek met de grond ingesteld kan worden wanneer de zittinghoek is aangepast.

#### De voorwaartse stabiliteit instellen

Maak de inbusschroeven (1) aan de onderkant van de vork los. Vervolgens kunt u de schroeven (2) verwijderen. Nu kunt u de fitting naar links of rechts draaien (3).

Links - de stoel trekt naar links.

Rechts - de stoel trekt naar rechts.

Draai vervolgens de schroeven weer aan (2). Zet de wielvork in een hoek van  $90^\circ$  ten opzichte van de vloer.

Draai vervolgens de schroeven weer aan (1). (Fig. 6.5.2).

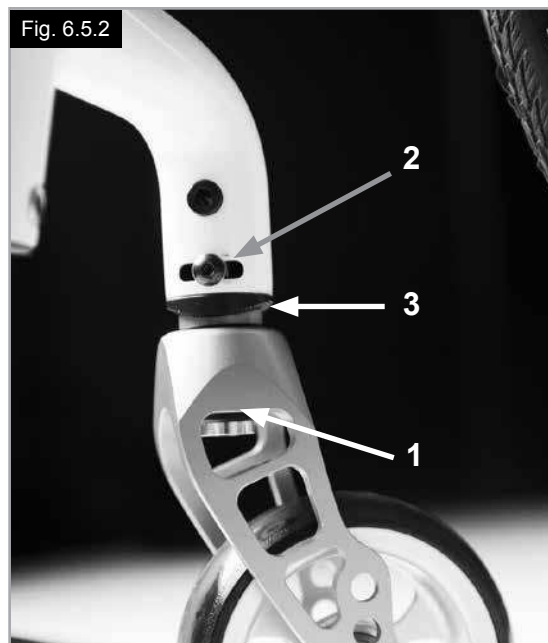
#### OPGELET!

Sommige schroeven die tijdens de fabricage worden gebruikt, zijn voorzien van een schroefdraadborgingsmiddel (blauwe stip op de draad) en kunnen slechts drie keer worden versteld voordat ze vervangen moeten worden door nieuwe schroeven met schroefdraadborgingsmiddel. Eventueel kunnen de schroeven opnieuw worden gebruikt waarbij het schroefdraadborgingsmiddel Loctite™ 243 wordt gebruikt.

Fig. 6.5.1



Fig. 6.5.2



## 6.6 Rugleuningen

Om de rughoek te verstellen maakt u de inbusschroef (1) los en verwijdert deze. Stel naar de gewenste positie, plaats de inbusschroef terug in deze positie, draai de schroef aan met de gegeven draaikracht. (Fig. 6.6.1).

### Opvouwbaar rugleuning

Om de rolstoel gemakkelijker te kunnen vervoeren, kan het bovenste deel van de rugleuning naar beneden worden geklapt. Hiertoe duwt u beide hendels (1) naar beneden en vouwt u de rugleuning naar beneden. Controleer nadat u de rugleuning weer omhoog hebt geklapt, of beide zijden goed zijn vergrendeld (Fig. 6.6.2 tot Fig. 6.6.3).

### ⚠ WAARSCHUWING!

- Risico op letsel: let op dat uw vingers niet beklemd raken in het vouwmechanisme.

### Instelbare spanning rugleuning

De spanning van de rugleuning kan worden ingesteld met gebruik van diverse banden, (Fig. 6.6.4).

### In hoogte instelbare rugleuning

De rugleuning kan op verschillende hoogtes worden ingesteld, in stappen van 2,5 cm (vier ranges: 25-30 cm, 30-40 cm, 40-45 cm en 45-47,5 cm).

Verwijder de zijkussens van de bekleding en als het nodig is, de rugleuningriem die de schroeven bedekt.

Draai de moer (1) los, verwijder hem en plaats de rugleuning in de gewenste positie. Draai daarna de schroeven weer aan (Fig. 6.6.5).

Zie de pagina over torque sleutel.

### ⚠ OPGELET!

**Denk ook aan het gewijzigde zwaartepunt wanneer u de hoek van de rugleuning instelt.**

## 6.7 Hoofdsteun

### Hoofdsteunen

De hoofdsteun (Fig. 6.7.1) kan omhoog gezet worden en horizontaal voorwaarts en achterwaarts worden bewogen.

Hiertoe draait u de schroef (1, 2 of 3) los.

Nu kunt u de gewenste positie instellen. Draai de schroef weer vast. (zie de pagina over torque sleutel).

Fig. 6.6.1

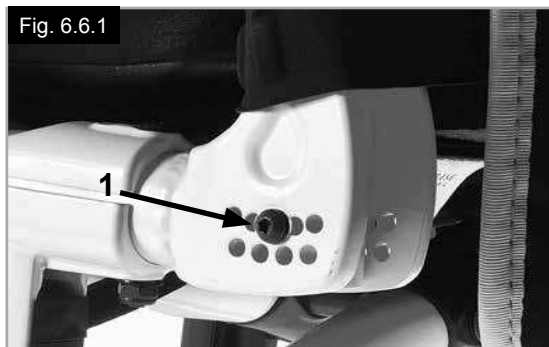


Fig. 6.6.2



Fig. 6.6.3



Fig. 6.6.4



Fig. 6.6.5

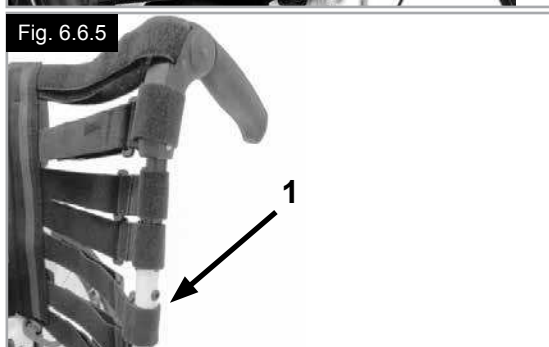


Fig. 6.7.1



## 6.8 Wielaanpassing

### Het toepassen van wielaanpassing

**OPMERKING:** Om de best mogelijke beweging te krijgen, moeten de achterwielen worden aangepast naar de optimale positie. Dit betekent correcte aanpassing van de wieluitlijning. Hiervoor: meet u de afstand tussen de beide voor- en achterwielen om de controleren of zij parallel staan. Het verschil tussen beide metingen mag niet meer dan 5 mm bedragen. De parallelle instelling kan worden aangepast door de schroeven (1) los te draaien en de as-adapter (3) te draaien. Controleer wanneer u klaar bent, of alle schroeven weer goed zijn aangedraaid (Fig. 6.8.1 tot Fig. 6.8.2). Draai de inbusschroeven weer aan naar 8 Nm.

#### **WAARSCHUWING!**

Wees voorzichtig, er is een risico op voorover kantelen wanneer het zwaartepunt van de stoel wordt aangepast!

#### **Breedte wielbasis instellen**

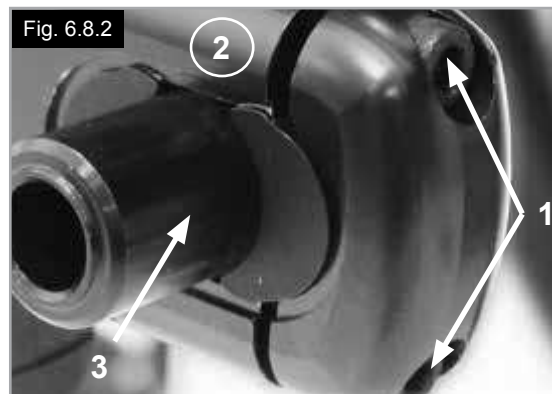
De achterwielbasis wordt gedefinieerd als de afstand tussen de bovenzijde van de achterwielen en de rugbuizen en wordt in de fabriek afgesteld (1,25cm). Deze afstand moet worden vergroot als er meer ruimte gecreëerd moet worden tussen de banden en de optionele, in hoogte verstelbare armleuningen.

Bij het aanpassen van de achterwielbasis:

- Schuif de as-adapter (3) in of uit de asbeugel (2).
- Draai de inbusschroef op de achterzijde van de asbeugel los (1)
- Schuif de as-adapter (3) in of uit, tot de gewenste wielbasis is bereikt.
- Draai de schroeven weer aan naar 8 Nm.
- Herhaal de procedure aan de rechterkant van de rolstoel waarbij de ruimte aan beide zijden gelijk is (Fig. 6.8.1 tot Fig. 6.8.2).

#### **OPGELET!**

- Wanneer de achterwielbasis wordt aangepast, pas dan eerst één wiel en daarna het tweede aan.
- Als de as-adapter verplaatst of verwijderd werd moet de uitlijning van de wielen en wielbasis worden gecontroleerd, en indien nodig, worden aangepast (zie ook het hoofdstuk 'Uitlijning wielen').



## 6.9 Zijkanten

1. Bevestiging
  - a. Duw de buitenste geleiders van de armsteun in de houder die bevestigd is op het rolstoelframe.
  - b. De arMLEuning klemt automatisch vast.
2. Aanpassing hoogte
  - a. Draai de ontgrendelingshendel voor hoogteaANpassing (2) naar het tweede stoppunt.
  - b. Duw de armsteun omhoog of omlaag om de gewenste hoogte te bereiken.
  - c. Duw de hendel terug tegen de geleiders van de armsteun totdat de hendel weer vergrendelt.
  - d. Duw de armsteun (4) totdat de geleiders goed op hun plaats klikken.
3. Verwijder de armsteun
  - a. Gebruik hendel (3) en til de hele armsteun op.
4. Doe de armsteun erin.
  - a. Doe de armsteun terug in de houder, totdat de steun op zijn plaats klikt.

### Bevestigingsonderdelen voor de houder van de armsteun

#### Aanpassen van de houder van de armsteun.

Om de bevestiging van de buitenste geleiders van de armsteun strakker of losser in de houder te draaien:

1. Draait u de vier schroeven voor de houder (D) aan beide zijden van de houder los.
2. Laat de armsteun in de houder (E) zitten en duw de houder samen, totdat de gewenste instelling is bereikt.
3. Draai de vier schroeven vast (D) (144 in-lbs, 16,3 Nm)

#### Instelling positie

1. Draai de schroeven (10) los totdat de klem los is.
2. Duw de houder van de armsteun in de gewenste positie.
3. Vastdraaien.  
(Fig. 6.9.1 tot 6.9.4).

1. Buitenste geleiders van de armsteun
2. Instelling van de hoogte van de vergrendelingshendel
3. Vergrendelingshendel
4. Kussen arMLEuning
5. Overstapstang
6. Zijbescherming
7. Houder
8. Stelklem
9. Onderdelen om de houder aan te passen
10. Klemschroeven

Fig. 6.9.1

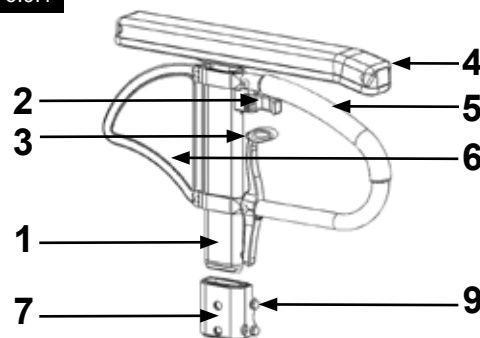


Fig. 6.9.2

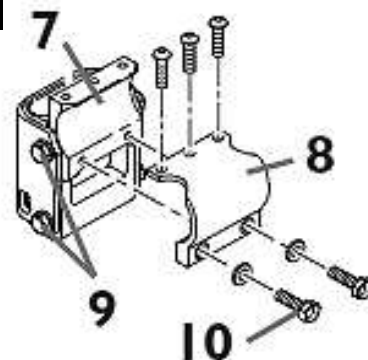


Fig. 6.9.3

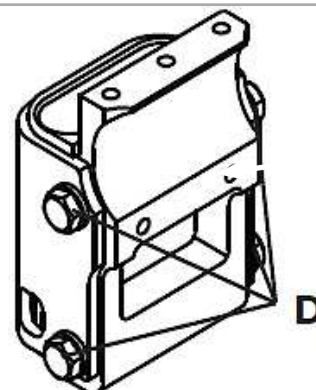
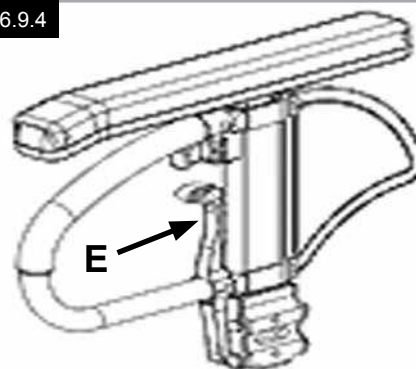


Fig. 6.9.4



## Zijkanten (vervolg)

### Zijkant met kledingbescherming

Met de kledingbescherming wordt kleding niet vuil door opspattend water, (Fig. 6.9.5).

U kunt de positie ten opzichte van het achterwiel instellen door de

zijkanten te bewegen.

Hiervoor dient u de schroeven (1 en 2) te verwijderen.

Nadat u de zijkanten in de gewenste positie heeft geplaatst, draait u de schroeven opnieuw aan (zie de pagina betreffende draaimoment).

### WAARSCHUWING!

Noch de arMLEUNINGEN, noch de opvulkussens mogen worden gebruikt om de rolstoel te tillen of te dragen.

## 6.10 Duwhandvatten

### In de hoogte verstelbare duwhandvatten

Die duwhandvatten zijn in hun positie beveiligd door pinnen die voorkomen dat ze per ongeluk wegschuiven. Door de fixatiehendel (1) te ontgrendelen, kunt u de hoogte van de duwhendels (2) afzonderlijk instellen. Als de hendel wordt verplaatst, luister dan om te controleren of deze op zijn plaats klikt. De duwhendel kan gemakkelijk op de gewenste hoogte worden ingesteld. De moer bepaalt hoe stevig de duwhandvatten op hun plaats gehouden worden. Als de moer losgedraaid is, zal ook het duwhandvat te los zitten. Draai het duwhandvat naar beide kanten om u ervan te vergewissen dat hij stevig op zijn plaats zit. Nadat u de hoogte van het duwhandvat heeft ingesteld, moet u de fixatiehendel (1) altijd stevig op zijn plaats vastmaken. Als de fixatiehendel niet vergrendeld is, kan dit letsel veroorzaken bij het opgaan van een trap. (Fig. 6.10.1).

### OPGELET!

Indien de in hoogte verstelbare duwhendels niet op de juiste wijze zijn aangebracht, kan er 'speling' ontstaan of kunnen ze zelfs uit positie raken. Controleer daarom zorgvuldig of de relevante schroeven op de juiste wijze zijn aangedraaid.

### Neerklapbare duwhandvatten

Wanneer de neerklapbare handvatten niet nodig zijn, kunnen ze naar beneden worden geklapt door op de knop (1) te duwen.

Wanneer ze weer nodig zijn, kunnen ze omhoog worden geduwd tot ze op hun plaats 'klikken'. (Fig. 6.10.2).

Fig. 6.9.5

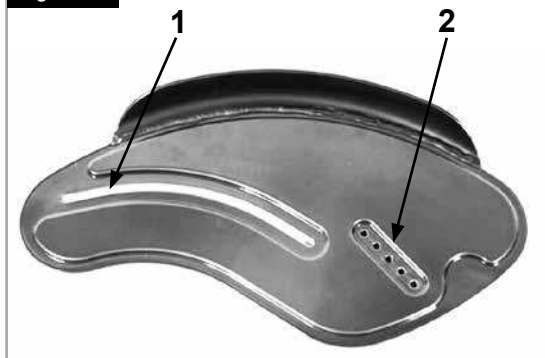


Fig. 6.10.1

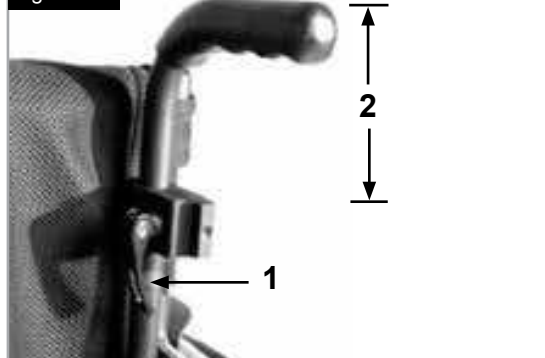
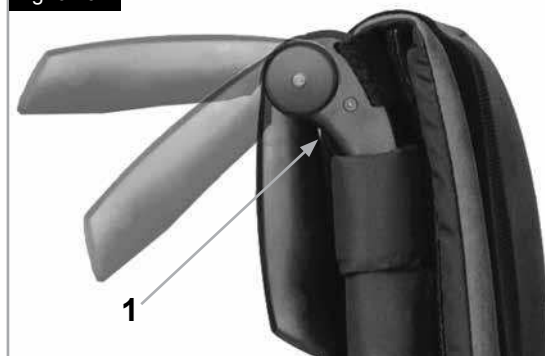


Fig. 6.10.2





## 4.9 Krukkenhouder

### Krukkenhouder

Hiermee kunt u krukken meenemen op de rolstoel. De krukkenhouder heeft een velcrolus waarmee u de krukken of andere hulpmiddelen kunt vastmaken, (Fig. 6.11.1).

#### WAARSCHUWING!

Probeer nooit de krukken of andere hulpmiddelen te gebruiken of te verwijderen terwijl de rolstoel in beweging is.

## 6.12 Anti-tip wielen

#### WAARSCHUWING!

Sunrise Medical adviseert om op alle rolstoelen anti-tip wielen te monteren om kantelen te voorkomen. Wanneer u de anti-tip wielen aanbrengt, gebruik een aanzetmoment van 7 Nm.

De anti-tip wielen (met kleine wieltjes) voorkomen dat de rolstoel naar achteren kantelt. Hierdoor wordt extra veiligheid geboden voor (nieuwe) gebruikers die nog moeten wennen aan het gebruik van de rolstoel.

### Plug-in type

#### De anti-tip wielen in de klem schuiven.

- Druk de achterste knop op de adaptor van de anti-tip wiel zodanig in dat beide vergrendelingspinnen naar binnen worden getrokken.
- Schuif de anti-tip wielen (1) in de anti-tip adapter.
- Draai de anti-tip wielen naar beneden, tot de vergrendelingspin in de klem op zijn plaats klikt.
- Breng het tweede anti-tip wiel op dezelfde wijze aan.

#### De anti-tip wielen instellen

Om de juiste afstand van de grond van ongeveer 1" tot 2" (2,5 cm tot 5,0 cm) te bereiken, moeten de anti-tip wielen hoger of lager worden afgesteld.

- Duw de ontgrendelingshendel voor het anti-tip wiel zodanig in dat beide vergrendelingspinnen naar binnen worden getrokken.
- Schuif de binnenste stang omhoog of omlaag in de gaten om de hoogte aan te passen.
- Laat de knop los.
- Breng het tweede anti-tip wiel op dezelfde wijze aan.
- De hoogte van beide wielen moet gelijk zijn. (Fig. 6.12.1).

Fig. 6.11.1



Fig. 6.12.1

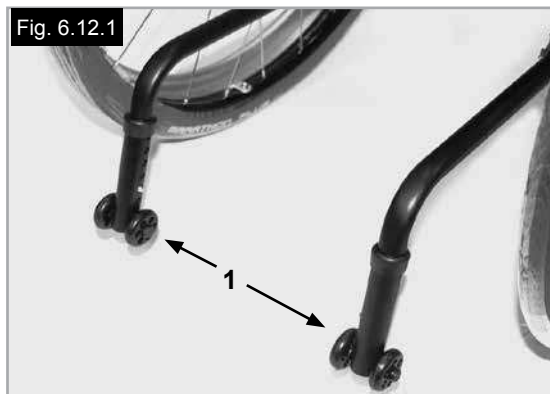


Fig. 6.12.2



### Wegklapbaar type

Duw op de bovenkant van het anti-tip wiel (1) om het in positie te brengen, (Fig. 6.12.2).

Er moet 30 - 50 mm ruimte blijven tussen de wieltjes en de grond.

De anti-tip wielen kunnen ook naar voren worden geklapt. Wanneer u over grotere obstakels rijdt, zoals een stoeprand, moeten de anti-tip wielen altijd in voorwaartse positie worden gezet, zodat ze geen hinder opleveren.

#### GEVAAR!

Indien geen anti-tip wielen zijn aangebracht, of indien deze niet correct zijn aangebracht, ontstaat het gevaar op kantelen en letsel.

## 6.13 Stabilisatiestang

### Opvouwbare stabilisatiestang

Deze stang dient om de rug te stabiliseren. Om de rolstoel te kunnen opvouwen, moet de ontkoppelingshendel naar binnen worden gedruwd (Fig. 6.13.1) of worden losgekoppeld en de stabiliseerstang moet naar beneden worden geklapt.

Bij het uitklappen van de rolstoel dient u ervoor te zorgen dat de stabilisatiestang op zijn plaats is vergrendeld.

## 6.14 Transitwielen

### Transitwielen

Transitwielen zijn bedoeld om te gebruiken wanneer de rolstoel te breed is met de normale achterwielen (Fig. 6.14.1).

Nadat u de achterwielen met behulp van de quick-release-assen hebt verwijderd, kunt u de transitwielen onmiddellijk gebruiken om te blijven rijden, (Fig. 6.14.2).

De transitwielen zijn zodanig gemonteerd dat ze zich ongeveer 3 centimeter boven de grond bevinden wanneer u ze niet gebruikt. Ze zitten dus niet in de weg wanneer u rijdt, tijdens transport, of wanneer u de rolstoel kantelt om over hindernissen te rijden.

### GEVAAR!

- Uw rolstoel heeft geen wielvergrendelingen wanneer u de transitwielen gebruikt.
- Het gevaar bestaat dat de rolstoel naar achteren kantelt.



Fig. 6.13.1



Fig. 6.14.1



Fig. 6.14.2

## 6.15 Heupgordel

### ⚠ WAARSCHUWINGEN!

- Controleer voordat u de stoel gebruikt of de heupgordel is aangebracht.
- De heupgordel moet dagelijks worden gecontroleerd op slijtage. Tevens moet worden gecontroleerd of de gordel nergens gehinderd wordt.
- Controleer voor gebruik altijd of de heupgordel op de juiste wijze is bevestigd en aangepast.

### ⚠ GEVAAR!

Als de gordel te los zit, kan de rolstoelgebruiker naar beneden glijden en bestaat het gevaar op verstikking of ernstig letsel.

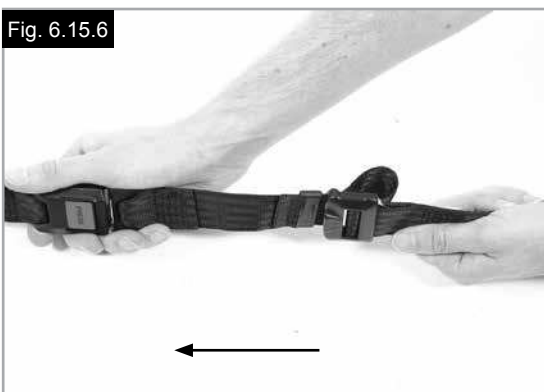
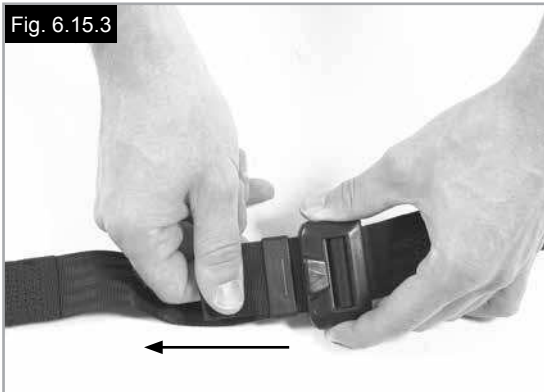
De heupgordel is aan de rolstoel bevestigd zoals getoond in Fig. 6.15.1 tot Fig. 6.15.10. De positioneringsgordel bestaat uit twee helften. Ze worden bevestigd d.m.v. de aanwezige schroef, die door het ringetje van de gordel wordt gestoken. De gordel wordt onder de achterzijde van het zijpaneel geleid. (Fig. 6.15.1).

Pas de heupgordel als volgt aan de behoeften van de gebruiker aan:

Pas de gordel zodanig aan dat de sluiting zich in het midden van de stoel bevindt. (Fig. 6.15.2).

Haal vervolgens het niet-gebruikte deel van de gordel door de gesp en geleiders. Controleer of de gordel niet om de sluiting is gedraaid, (Fig. 6.15.3).

Om de gordel langer te maken, haalt u het niet-gebruikte deel van de gordel door de geleiders en gesp, (Fig. 6.15.4 tot Fig. 6.15.6).



## Heupgordel (vervolg)

Controleer na het vastmaken de ruimte tussen de gordel en de gebruiker. Wanneer de gordel goed is aangepast, kunt u niet meer dan een vlakke hand tussen het lichaam en de gordel steken wanneer de gordel is omgedaan, (Fig. 6.15.7).

De heupgordel moet zodanig bevestigd worden dat hij in een hoek van 45 graden over het bekken van de gebruiker valt. Bij het op maat maken dient de gebruiker rechtop en zo ver mogelijk naar achteren te zitten. De heupgordel moet voorkomen dat de gebruiker uit de rolstoel glijdt. (Fig. 6.15.8).

### Om de sluiting te sluiten:

Steek de tanden van de gesp in de sluiting, (Fig. 6.15.9).


### Om de sluiting los te maken:

Drukt u op de RODE knop in het midden van de sluiting en trekt u de sluiting rustig uit elkaar, (Fig. 6.15.10).

**OPMERKING:**Neem contact op met uw dealer wanneer u vragen hebt over de heupgordel of stel uw vraag aan uw verzorger of begeleider.

## ⚠WAARSCHUWINGEN!

- De heupgordel mag uitsluitend door een door Sunrise Medical erkende dealer/verkoper worden aangebracht of aangepast.
- De heupgordel moet dagelijks worden gecontroleerd om te garanderen dat hij op de juiste wijze is aangebracht, niet is beschadigd en niet wordt gehinderd.
- Sunrise Medical adviseert de heupgordel niet als veiligheidsgordel te gebruiken wanneer de rolstoelgebruiker in een voertuig wordt vervoerd

 Lees de brochure van Sunrise Medical over transport voor meer informatie over.

### Onderhoud:

Controleer de heupgordel en de onderdelen waarmee deze is bevestigd, regelmatig op slijtage. Afhankelijk van het gebruik zal de heupgordel slijten en moet hij worden vervangen.

## ⚠WAARSCHUWING!

De heupgordel moet naar wens van de gebruiker worden aangepast, zoals hierboven wordt getoond. Sunrise Medical adviseert tevens dat de lengte en 'pasvorm' geregeld worden gecontroleerd om te voorkomen dat de rolstoelgebruiker de gordel ongewild heeft aangepast en te lang heeft gemaakt.

Fig. 6.15.7



Fig. 6.15.8

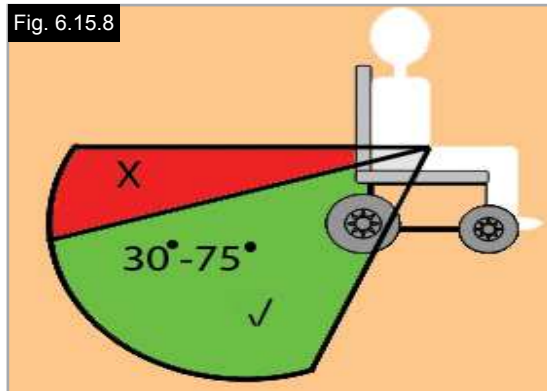


Fig. 6.15.9



Fig. 6.15.10





## 6.16 Handbike-as

### As van de handbike

De as van de handbike moet in een schuine lijn achterwaarts aangepast worden ten opzichte van het zwaartepunt. Hierdoor kan de accessoire handbike veilig worden gebruikt, (Fig. 6.16.1).

#### **GEVAAR!**

- Het gebruik van een handbike zonder speciale as kan de rolstoel instabiel maken. Dit kan leiden tot ernstig letsel bij de rolstoelgebruiker of andere mensen.
- Gebruik uitsluitend aankoppel apparaten die zijn goedgekeurd voor gebruik in combinatie met uw rolstoel.

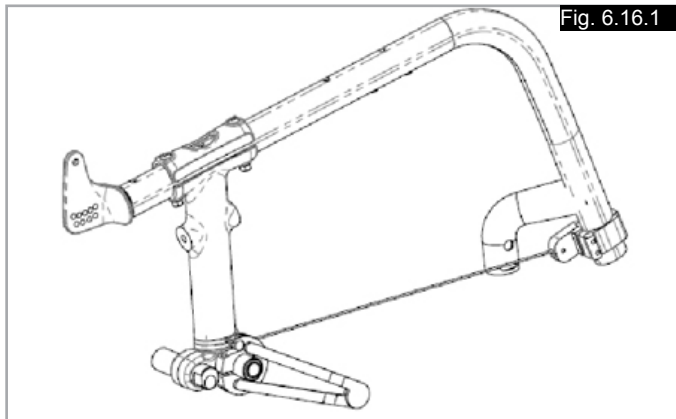


Fig. 6.16.1

### Handbike versterkingskit

Om de handbike versterkingskit te monteren:

- Steek de nippel aan het ene uiteinde van de kabel in het daartoe bestemde gat (de ontvanger) aan de voorzijde van het frame (Fig. 6.16.2).
- Steek de nippel aan het andere uiteinde van de kabel in het daartoe bestemde gat (de ontvanger) aan de achterzijde van het frame (Fig. 6.16.3).
- Steek de spanner (A) in de kabelontvanger aan de achterzijde van het frame (Fig. 6.16.4).
- Beweeg de spanner (A) naar boven naar de ontvanger tot de voorzijde (B) net in beweging begint te komen richting achterzijde (Fig. 6.16.5).
- Houd de kabel met behulp van de spanner strak gespannen, en draai de schroef op de kabelontvanger aan de achterzijde aan (Fig. 6.16.5).
- Herhaal het proces voor de andere kant.

#### **WAARSCHUWING!**

Controleer de spanning op beide kabels telkens voor en na gebruik van de handbike.

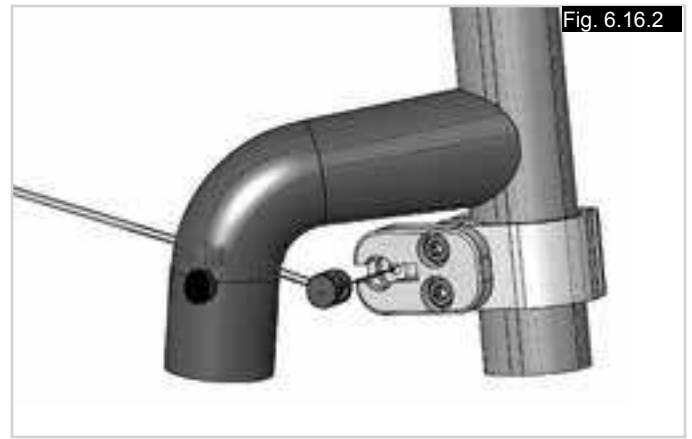


Fig. 6.16.2

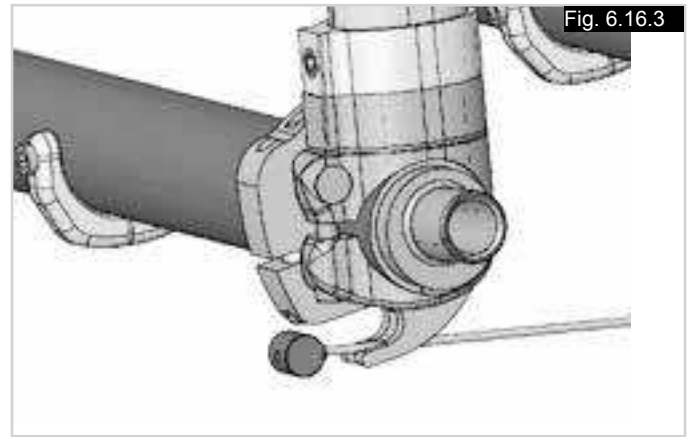


Fig. 6.16.3

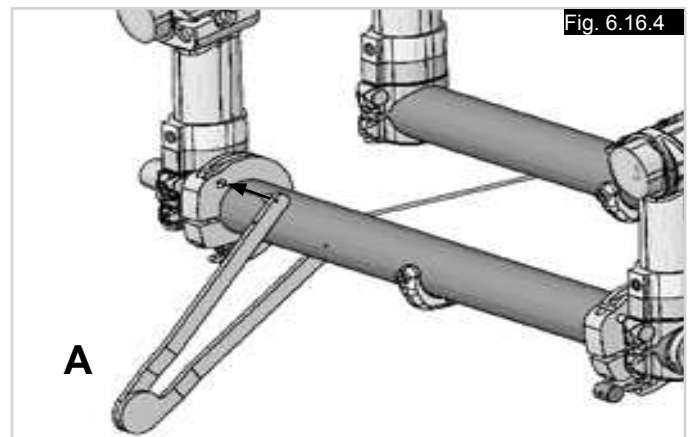


Fig. 6.16.4

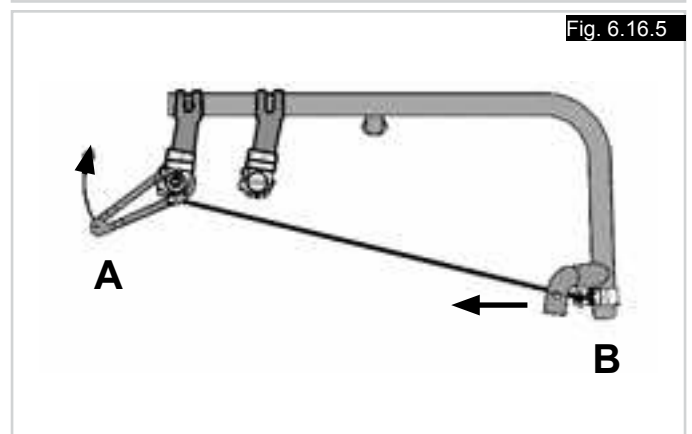


Fig. 6.16.5



## 7.0 Dagelijkse controle

### OPGELET!

Als gebruiker bent u de eerste die mogelijke defecten opmerkt. Wij adviseren daarom dat u de onderstaande punten controleert voor ieder gebruik:

- Controleer of de bandenspanning correct is.
- Controleer of de wielvergrendeling correct werkt.
- Controleer of alle verwijderbare onderdelen, zoals armsteun, voetsteun, quick-release as en dergelijke, goed vast zitten.
- Controleer op zichtbare schade aan bijvoorbeeld het frame, de rugleuning, bespanning van zitting en rugleuning, wielen, voetplaten enzovoorts.

Als u schade of slecht functionerende onderdelen ontdekt, neem dan contact op met uw erkende dealer.

## 8.0 Banden en montage

### WAARSCHUWING!

Zorg er altijd voor dat de druk van de banden correct blijft (min. 3,5 bar) want dat is nodig om de rolstoel goed te laten presteren.

Als er niet genoeg druk op de banden staat, zal de rolweerstand toenemen waardoor u een grotere inspanning moet leveren om de rolstoel voort te bewegen; bovendien maakt een lage bandendruk de rolstoel minder wendbaar.

### WAARSCHUWING!

Als de bandendruk te groot is, kan de band springen.

De juiste druk voor een bepaalde band staat vermeld op het oppervlak van de band zelf (min. 3,5 bar).

De banden zijn op dezelfde manier op de velg aan te brengen als gewone fietsbanden.

Alvorens u een nieuwe binnenband oplegt, moet u altijd controleren of er zich geen vreemde voorwerpen bevinden op de basis van de velg en de binnenzijde van de band.

Controleer de druk nadat u een band opgelegd of hersteld hebt. Het is van essentieel belang voor de prestaties van de rolstoel dat de luchtdruk wordt gehandhaafd volgens instructies en dat de banden in goede conditie zijn.

## 9.0 Algemeen onderhoud

- Controleer de bandendruk om de 4 weken. Controleer alle banden op slijtage en beschadiging.
- Controleer de wielvergrendelingen ongeveer iedere vier weken om u ervan te verzekeren dat ze correct functioneren en gemakkelijk te gebruiken zijn.
- Verander de banden zoals u dat bij een gewone fiets zou doen.
- Alle verbindingen die van essentieel belang zijn voor het veilige gebruik van uw rolstoel zijn zelfvergrendelend. Controleer om de 3 maanden of alle bouten stevig vast zitten (zie hoofdstuk over de koppelsleutel). U mag borgmoeren maar één keer monteren en u moet ze vervangen na een bepaalde gebruikperiode.
- Gebruik alleen zachte (niet agressieve) schoonmaakproducten om uw rolstoel schoon te maken. U mag de bekleding van de zitting alleen met water en zeep schoonmaken.
- Als uw rolstoel nat wordt, moet u hem na gebruik afdrogen.
- Om de 8 weken ongeveer moet u een klein beetje naaimachine-olie op de quick-release-assen aanbrengen. Afhankelijk van hoe frequent u uw rolstoel gebruikt, raden we aan dat u om de 6 maanden met uw rolstoel naar uw dealer gaat waar gespecialiseerd personeel hem kan nakijken.
- Gebruik uitsluitend originele door Sunrise Medical goedgekeurde onderdelen. Gebruik nooit onderdelen van derden die niet zijn goedgekeurd door Sunrise Medical.

### OPGELET!

**Zand en zeewater (of zout in de winter) kan de rollagers van de voor- en achterwielen beschadigen. Maak de rolstoel grondig schoon nadat die aan zand en zeewater is blootgesteld.**

De onderstaande onderdelen kunnen worden verwijderd en voor reparatie teruggezonden naar de fabrikant/dealer:

### **Achterwielen - Armleniging - Voetsteunhouder - Anti-tip wielen**



Deze onderdelen zijn als reserveonderdelen beschikbaar. Meer informatie hierover vindt u in onze onderdelencatalogus.

### Hygiënemaatregelen bij hergebruik:

Voordat de rolstoel door een nieuwe gebruiker in gebruik genomen wordt, moet de stoel zorgvuldig worden voorbereid.

#### **WAARSCHUWING!**

Alle oppervlaktes waarmee de gebruiker in aanraking komt, moeten behandeld worden met een desinfecterende spray.

Hiervoor heeft u een ontsmettingsmiddel van de DGHM-lijst nodig, bijv. Antifect Liquid (Schülke & Mayr) voor snelle ontsmetting op alcoholbasis voor medische producten en medische instrumenten, die snel moeten worden ontsmet.

Houd u aan de gebruiksaanwijzing van de fabrikant van het desinfecterende middel.

Over het algemeen kan op de naden van de rolstoel geen volledige ontsmetting worden gegarandeerd. Daarom wordt geadviseerd de zitting en rugleuning te vervangen om microbacteriële besmetting te voorkomen. (In overeenstemming met de Wet Medische hulpmiddelen).

## 10.0 Oplossen van problemen

### Rolstoel trekt naar één kant

- Controleer bandendruk
- Controleer of het wiel vlot draait (lagers, as)
- Controleer hoeken van zwenkwielen.
- Controleer of beide voorwielen de grond goed raken

### Voorwielen beginnen te wiebelen

- Controleer hoeken van zwenkwielen.
- Controleer of alle bouten vast zitten; draai ze indien nodig vast (zie hoofdstuk over de koppelsleutel)
- Controleer of beide voorwielen de grond goed raken

### Rolstoel piept en rammelt

- Controleer of alle bouten vast zitten; draai ze indien nodig vast (zie hoofdstuk over de koppelsleutel)
- Breng een beetje smeeroil aan op plaatsen waar beweegbare delen met elkaar in contact komen

### Rolstoel begint te wiebelen

- Controleer hoek waarin voorwielen ingesteld zijn
- Controleer bandendruk
- Controleer of achterwielen verschillend ingesteld zijn.

## 11.0 Afvalverwerking / recycling van materialen

**OPMERKING:** Indien u de beschikking hebt gekregen over de rolstoel via een instantie of uitleenprogramma voor medische hulpmiddelen, is de rolstoel mogelijk niet uw eigendom. Wanneer de rolstoel niet langer nodig is, volg dan de instructies van de organisatie op die de rolstoel beschikbaar heeft gesteld, hoe deze terug te sturen.

Hieronder staan de materialen omschreven zoals deze worden gebruikt in de rolstoel, met betrekking tot de verwerking tot afval en recycling van de rolstoel en zijn verpakking.

Mogelijk kent uw land of woonplaats specifieke wetgeving; neem deze wet- of regelgeving in overweging, wanneer u de rolstoel naar de afvalverwerking wilt brengen. (Mogelijk moet de rolstoel gereinigd of gedesinfecteerd worden alvorens deze naar de afvalverwerking wordt gebracht.)

**Aluminium:** zwenkwielvorken, wielen, zijbeschermingen van de stoel, frame van de armleuningen, voetsteun, duwhendel.

**Staal:** bevestigingspunten, quick release assen

**Plastic:** hendels, afdekdopjes van de buizen, zwenkwielen, voetplaten, kussens van de armleuningen en banden.

**Verpakking:** Plastic zakken gemaakt van zacht polyethyleen, karton

**Bekleding:** Polyester weefsel met PVC coat en zeer ontbrandbaar schuim (foam).

Afvalverwerking of recycling dient uitgevoerd te worden door een afvalverwerkingsbedrijf of op een plaatselijk afvaldepot. U kunt uw rolstoel ook terug brengen naar uw dealer voor afvalverwerking.

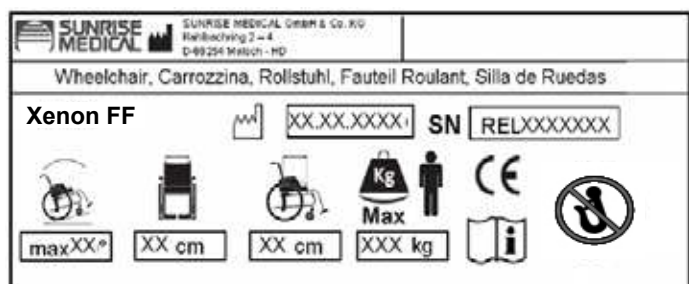


## 12.0 Sticker

De sticker bevindt zich of op het kruisframe, of op de dwarsstang van het frame. Ook vindt u een sticker met gegevens in de gebruikershandleiding. Op de sticker met het serienummer staat ook de precieze naam van het model en andere technische gegevens. Wanneer u vervangingsonderdelen bestelt of een schadeclaim indient, moet u de volgende gegevens vermelden:

- Serienummer
- Ordernummer
- Maand/Jaar

# VOORBEELD



<b>Xenon FF</b> XXXXX-XXX	Naam product, SKU nummer
	De maximale veiligheidsmarge bij hellingen met anti-tip wielen hangt onder andere af van de instellingen, postuur en fysieke capaciteiten van de gebruiker.
	Zitbreedte
	Diepte (maximaal).
	Maximale belasting.
	CE-keurmerk
	Gebruikershandleiding
	Heeft geen crashtest ondergaan
XX.XX.XXXX	Productiedatum
SN RELXXXXXX	Serienummer.

## 13.0 Technische specificaties

### Totale breedte:

Met standaard wielen, incl. hoepels, montage smal:

- in combinatie met aluminium zijkanten:  
ZB + 170 mm
- in combinatie met plastic kledingbeschermer:  
ZB + 190 mm
- Wanneer een extra smalle hoepel wordt gemonteerd, wordt de totale breedte met 20 mm verminderd.
- Met standaard wielen, inclusief hoepels, en 4° camber: ZB + 250 mm

### Totale lengte:

910 mm met zitdiepte 480 mm

### Totale hoogte:

1120 mm met HR 450 mm

### Gewicht in kg:

- In totaal vanaf 8,8 kg
- Transport (zonder voetensteun, wielen, zijbeschermer) 6,3 kg
- Zijkanten (per stuk) 1,3 kg
- Wielen (per stuk) 2,2 kg

### Maximale belasting:

Xenon tot en met een maximale belasting van 110 kg of 140 kg (afhankelijk van de frameversie).

### Stoelhoogtes:

De keuze van frame, voorvork en zwenkwielen, in combinatie met de afmeting van het achterwiel (610mm (24") of 635mm (25")), bepaalt welke zithoogtes mogelijk zijn.

### De rolstoel voldoet aan de volgende vereisten:

1. Vereisten en testmethodes voor statische krachten, botskrachten en materiaalmoeheid (ISO 7176-8)
2. Brandwerendheid van beklede onderdelen overeenkomstig ISO 7176-16 (EN 1021-1/2)

Sunrise Medical AS  
Dynamitveien 14B  
1400 SKI  
Norway  
Telef: +47 66963800  
Faks: +47 66963880  
www.SunriseMedical.no

Sunrise Medical AB  
Box 9232  
400 95 Göteborg  
Sweden  
Tel: +46 (0)31 748 37 00  
Fax: +46 (0)31 748 37 37  
www.SunriseMedical.sv

Sunrise Medical GmbH & Co. KG  
Kahlbachring 2-4  
69254 Malsch/Heidelberg  
Deutschland  
Tel.: +49 (0) 7253/980-0  
Fax: +49 (0) 7253/980-222  
www.SunriseMedical.eu  
Místní:  
Web: www.medicco.cz  
e-mail: info@medicco.cz  
tel: 800 900 809

PT-keskus Oy,  
Koivuhaantie 2-4, 01510 Vantaa,  
Suomi  
Puh 020 7912 740  
Fax 020 7912 759,  
ptkeskus@ptkeskus.fi

Türkiye Tek Yetkili Temsilcisi - İthalatçı -  
Yetkili Servis İstasyonu:  
Destek Rehabilitasyon Teknolojileri Ltd.  
Şti.  
Cevizlidere Mah., Gökkuşuğu Cad.,  
No:23/B, Balgat,  
Çankaya – Ankara  
Tel: (312) 430 0900  
info@destek-r.com.tr

Sunrise Medical Pty. Ltd.  
6 Healey Circuit, Huntingwood, NSW  
2148,  
Australia  
Phone: 9678 6600,  
Orders Fax: 9678 6655,  
Admin Fax: 9831 2244.  
Australia  
www.sunrisemedical.com.au



Sunrise Medical GmbH & Co. KG  
Kahlbachring 2-4  
69254 Malsch/Heidelberg  
Deutschland  
Tel.: +49 (0) 7253/980-0  
Fax: +49 (0) 7253/980-222  
www.SunriseMedical.de

Sunrise Medical  
Thorns Road  
Brierley Hill  
West Midlands  
DY5 2LD  
England  
Phone: 0845 605 66 88  
Fax: 0845 605 66 89  
www.SunriseMedical.co.uk

Sunrise Medical S.L.  
Polígono Bakiola, 41  
48498 Arrankudiaga – Vizcaya  
España  
Tel.: +34 (0) 902142434  
Fax: +34 (0) 946481575  
www.SunriseMedical.es

Sunrise Medical Poland  
Sp. z o.o.  
ul. Elektronowa 6,  
94-103 Łódź  
Polska  
Telefon: + 48 42 275 83 38  
Fax: + 48 42 209 35 23  
E-mail: pl@sunrisemedical.de  
Sunrise-Medical.pl

Sunrise Medical B.V.  
Groningenhaven 18-20  
3433 PE NIEUWEGEIN  
The Netherlands  
T: +31 (0)30 – 60 82 100  
F: +31 (0)30 – 60 55 880  
E: info@sunrisemedical.nl  
www.SunriseMedical.nl

Sunrise Medical S.A.S  
ZAC de la Vrillonnerie  
17 Rue Mickaël Faraday  
37170 Chambray-Lès-Tours  
Tel : + 33 (0) 247554400  
Fax : +30 (0) 247554403  
www.sunrisemedical.fr

Sunrise Medical S.r.l.  
Via Riva, 20 – Montale  
29122 Piacenza  
Italia  
Tel.: +39 0523 573111  
Fax: +39 0523 570060  
www.SunriseMedical.it

Sunrise Medical AG  
Lückhalde 14  
3074 Muri/Bern  
Schweiz/Suisse/Svizzera  
Fon +41 (0)31 958 3838  
Fax +41 (0)31 958 3848  
www.SunriseMedical.ch



OM\_Xenon 2 FF\_EU\_EN\_FR\_NL\_Rev.2.0\_2015\_09\_29

