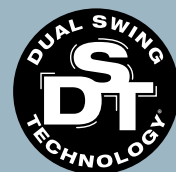


Invacare® | **Kite**®



## Great performance, compact design

Invacare **Kite** is an outdoor-indoor power wheelchair built to incorporate Invacare's new and patented\* wheelbase technology.

Packed with features, this adaptable power chair comes equipped with Dual Swing Technology® (D.S.T.®); a unique suspension system that guarantees superior driving comfort and traction.

**Kite** is designed for active users who love outdoor activities yet who still require a compact chair in their everyday life.

\*patent pending



**Yes, you can.®**



### Experience **Kite** performance

The **Kite** is a unique hybrid in terms of performance, driving comfort and compactness.

Dual Swing Technology® (D.S.T.®), large wheels and an exceptionally compact base enable first-class outdoor performance across everyday activities.

Add another dimension to **Kite** and opt for **G-Trac**® technology to enjoy enhanced driving performance and safety.

### Configured for customisation

The **Kite** comes with a host of advanced technology extras; this power chair is truly modular and can be precisely configured to user needs.

Choose from a selection of options, e.g. large batteries for increased range or a heavy-duty power pack including 4-pole motors and 90A power module for heavier users.

### The freedom to be... the power to do

The **Kite** boasts the very latest Invacare technologies, including SSD-motors, **G-Trac** and Dual Swing Technology® (D.S.T.®) suspension system, which allows for an exceptionally smooth and

comfortable ride. The **Kite** bumpers are integral to the DST system, which in contrast to sprung suspension, absorbs shocks and reduces vibration for a smoother ride.

## Features and Options



#### Standard seat tilt

Seat angle can be set by a spindle or adjusted electronically for greater stability and improved downhill driving comfort.



#### Modulite™ seat system

The foundation consists of a telescopic seat frame including a side rail, allowing individual placement of armrests and accessories.



#### Invacare **Matrix** backs

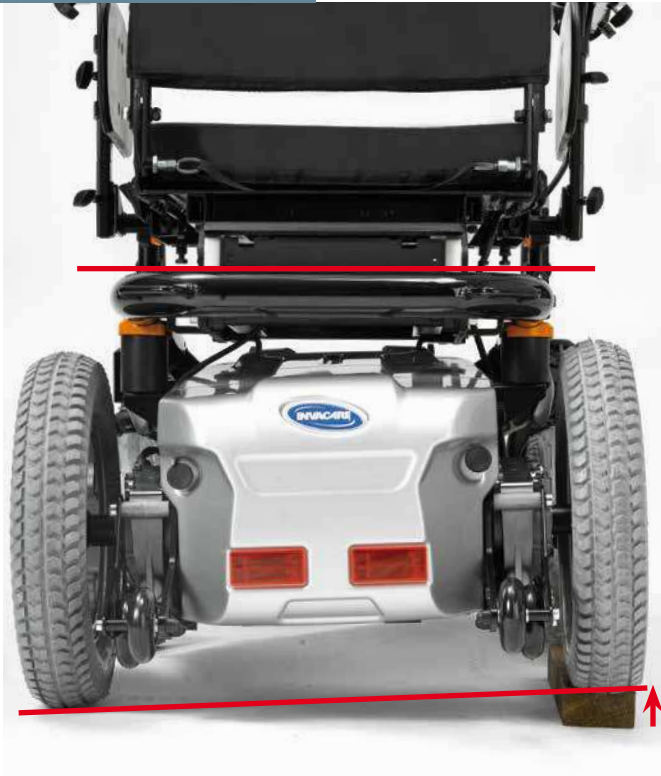
The different types of **Matrix** backs can be combined with the Modulite™ seat system to offer optimal postural support and positioning.



#### Max seat unit

For the larger user the Max seat unit with a 550 mm wide seat frame.

**Features and Options**



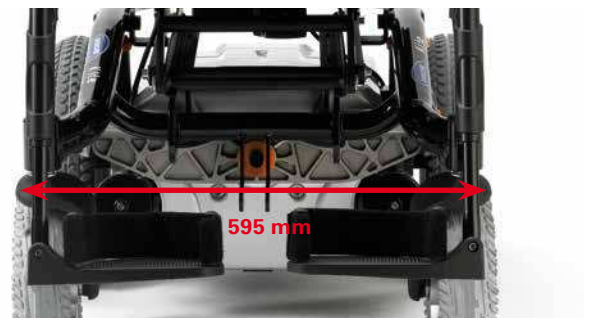
**Dual Swing Technology® (D.S.T.®)**

The DST operates both horizontally and vertically. It allows for independent or combined movements. DST boosts the traction of this power chair to ensure a comfortable ride.



**Dual Swing Technology® (D.S.T.®)**

The heart of the DST is the pendulum axis, which works in tandem with the central shock absorbers, resulting in superior balance and confidence.



**Compactness**

Even with an exceptionally narrow wheelbase of 600 mm, the **Kite** can house large batteries of up to 73 Ah - unique for a powered wheelchair in this class. The compact size allows for agile manoeuvrability.



**Serviceability**

Easy, tool-free access to electronics and batteries for fast and straightforward maintenance.



**10" castors**

The large, robust castors make negotiating obstacles easy.



**Suspended front fork**

The new suspended forks allow a more comfortable driving experience.



**Front and rear fender**

This useful outdoor option gives the **Kite** a stylish, sporty look.



**LED lighting system**

Attractive design in a well-protected position integrated in the rear shroud.

## Technical data

One piece seat plate	440 - 480 mm <sup>1</sup>	410 - 510 mm	440 mm <sup>3</sup>	480 mm <sup>3</sup>	290 - 360 mm	290 - 470 mm <sup>3,4</sup>	0 - 20°
Modulite™ telescopic seat	380 - 530 mm <sup>2</sup>	410 - 510 mm	460 mm <sup>3</sup>	480, 540 or 560 mm <sup>3,6</sup>	290 - 360 mm	290 - 470 mm <sup>3,4</sup>	0 - 20° / 0 - 30° <sup>5</sup>
Max Seat	560 - 600 mm	510 - 580 mm	460, 480, 500 mm <sup>2</sup>	630 mm <sup>3,14</sup>	290 - 360 mm	290 - 470 mm <sup>3,4</sup>	0° - 20° / 0° - 30° <sup>5</sup>

One piece seat plate	90° - 120°	595 mm <sup>7</sup>	max. 1170 mm <sup>8</sup>	max. 1140 mm <sup>8</sup>	max. 870 mm <sup>8</sup>	125 kg <sup>9</sup>	136 / 160 kg <sup>10</sup>
Modulite™ telescopic seat	90° - 120°	595 mm <sup>7</sup>	max. 1170 mm <sup>8</sup>	max. 1140 mm <sup>8</sup>	max. 870 mm <sup>8</sup>	126 kg <sup>9</sup>	136 / 160 kg <sup>10</sup>
Max Seat	90° - 120°	595 mm <sup>7</sup>	max. 1170 mm <sup>8</sup>	max. 1140 mm <sup>8</sup>	max. 870 mm <sup>8</sup>	127 kg <sup>9</sup>	136 / 160 kg <sup>10</sup>

60 Ah / 73 Ah	ca. 1600 mm	60 mm <sup>11</sup>	10° / 18% <sup>12</sup>	2 x 250 W / 2 x 340 W <sup>10</sup>	25 - 39 km <sup>13</sup>	6 / 10 km/h

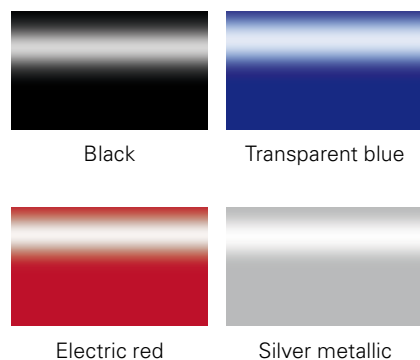
- 1/** seat cushion 430 mm
- 2/** additional 50 mm by armrest adjustment
- 3/** measured without seat cushion
- 4/** certain legrest lengths are restricted to a special legrest type
- 5/** with COG tilt or combined lifter and tilt mode

- 6/** depending on back support choice
- 7/** width of wheelbase
- 8/** depending on seat position
- 9/** total weight is depending on configuration
- 10/** HD performance package; 4-pole motors and 90A power module
- 11/** 100 mm with kerb climber

- 12/** the max. safe slope depends on the wheelchair configuration. For further details please see the user manual
- 13/** 60 / 73 Ah batteries, 6 km/h standard ca. 31 km / 39 km 60 / 73 Ah batteries, 10 km/h standard ca. 34 km / 39 km 60 / 73 Ah batteries, 6 km/h Heavy Duty ca. 27 km / 35 km 60 / 73 Ah batteries, 10 km/h Heavy Duty ca. 25 km / 31 km
- 14/** additional 100 mm of height adjustment

The wheelchair driving range is affected by many factors e.g. user weight, terrain, temperature, battery condition and so on. The stated values should be seen as the theoretical max. value measured according to ISO 7176-4:2008.

## Frame colours



Invacare Limited  
 Pencoed Technology Park - Pencoed -  
 Bridgend CF35 5AQ - United Kingdom  
 Tel: +44 1 656 776 222  
 Fax: +44 1656 776 220  
 E-mail: uk@invacare.com  
 Sales Order E-mail:  
 ordersuk@invacare.com  
 www.invacare.co.uk

Invacare Ireland Ltd  
 Unit 5 - Seatown Business Campus  
 Seatown Road - SWORDS - County  
 Dublin - Ireland  
 Tel. +353 1 8107084  
 Fax +353 1 8107085  
 Email: Ireland@invacare.com  
 www.invacare.ie

© 2013 Invacare International Sàrl  
 All rights reserved.

All information quoted is believed to be correct at time of print.  
 Invacare reserves the right to alter product specifications without prior consultation.

Kite - UK - 06/2013 - 1545693



More detailed information, technical data, references for transport or description of certain options can be found in the wheelchair's user manual.

