



Invacare® Kite™
Power wheelchair

User manual

EN

CE *This manual MUST be given to the wheelchair user.
Please read this user manual BEFORE using this wheelchair, and keep it in a safe place so that you can refer to it at a later date if necessary.*



How can you get in touch with Invacare®?

If you have any questions or need support, please contact your authorised Invacare® Dealer, who has the necessary know-how and equipment plus the special knowledge concerning your Invacare® product, and can offer you all-round satisfactory service. Should you wish to contact Invacare® directly, you can reach us in Europe at the following addresses and phone numbers.

A	Invacare Austria GmbH Herzog Odilostrasse 101 A-5310 Mondsee Austria	☎: Fax: @: WWW:	+43 6232 5 53 50 +43 6232 5 53 54 info@invacare-austria.com www.invacare.at
----------	--	--------------------------	--

B	Invacare n.v. Autobaan 22 B-8210 Loppem (Brugge)	☎: Fax: @: WWW:	+32 (0)50 83 10 10 +32 (0)50 83 10 11 belgium@invacare.com www.invacare.be
----------	---	--------------------------	---

CH	Invacare AG Benkenstraße 260 CH-4108 Witterswil Switzerland	☎: Fax: @: WWW:	+41 (0)61487 70 80 +41 (0)61487 70 81 switzerland@invacare.com www.invacare.ch
-----------	---	--------------------------	---

D	Invacare GmbH Alemannenstraße 10 88316 Isny Deutschland	☎: Fax: @: WWW:	+49 (0)7562 70 00 +49 (0)7562 7 00 66 kontakt@invacare.com www.invacare.de
----------	---	--------------------------	---

DK	Invacare A/S Sdr. Ringvej 37 DK-2605 Brøndby Danmark	☎ (Kundeservice): Fax (Kundeservice): @: WWW:	+45 (0)36 90 00 00 +45 (0)36 90 00 01 denmark@invacare.com www.invacare.dk
-----------	--	--	---

E	Invacare® SA c/ Areny s/n Polígon Industrial de Celrà E-17460 Celrà (Girona) ESPAÑA	☎: Fax: @: WWW:	+34 (0)972 49 32 00 +34 (0)972 49 32 20 contactsp@invacare.com www.invacare.es
----------	--	--------------------------	---

F	Invacare® Poirier SAS Route de St Roch F-37230 Fondettes France	☎: Fax: @: WWW:	+33 (0)247 62 64 66 +33 (0)247 42 12 24 contactfr@invacare.com www.invacare.fr
GB	Invacare® Ltd Pencoed Technology Park Pencoed Bridgend CF35 5AQ United Kingdom	☎ (Customer services): Fax (Customer services): @: WWW:	+44 (0)1656 77 62 22 +44 (0)1656 77 62 20 uk@invacare.com www.invacare.co.uk
I	Invacare Mecc San s.r.l. Via dei Pini, 62 I - 36016 Thiene (VI) ITALIA	☎: Fax: @: WWW:	+39 0445 38 00 59 +39 0445 38 00 34 italia@invacare.com www.invacare.it
IE	Invacare Ireland Ltd. Unit 5 Seatown Business Campus Seatown Rd, Swords County Dublin Ireland	☎: Fax: @: WWW:	+353 18 10 70 84 +353 18 10 70 85 ireland@invacare.com www.invacare.ie
N	Invacare® AS Grensesvingen 9 Postboks 6230 Etterstad N-0603 Oslo Norge	☎ (Kundeservice): Fax (Kundeservice): @: @: WWW:	+47 (0)22 57 95 00 +47 (0)22 57 95 01 norway@invacare.com island@invacare.com www.invacare.no
NL	Invacare® B.V. Celsiusstraat 46 NL-6716 BZ Ede Nederland	☎: Fax: @: @: WWW:	+31 (0)318 69 57 57 +31 (0)318 69 57 58 nederland@invacare.com csede@invacare.com www.invacare.nl
P	Invacare Lda Rua Estrada Velha, 949 P-4465-784 Leça do Balio Portugal	☎: ☎: Fax: @: WWW:	+351 225 10 59 46 +351 225 10 59 47 +351 225 10 57 39 portugal@invacare.com www.invacare.pt



Aterförsäljare:
Invacare® AB
 Fagerstagatan 9
 S-163 91 Spånga
Sverige

☎ (Kundtjänst): +46 (0)8 761 70 90
 Fax (Kundtjänst): +46 (0)8 761 81 08
 @: sweden@invacare.com
 @: finland@invacare.com
 WWW: www.invacare.se



Tillverkare:
Invacare® Deutschland GmbH
 Kleiststraße 49
 D-32457 Porta Westfalica
Deutschland

MÖLNDAL
 ☎: +46 (0)31 86 36 00
 Fax: +46 (0)31 86 36 06
 @: ginvacare@invacare.com

LANDSKRONA
 ☎: +46 (0)418 2 85 40
 Fax: +46 (0)418 1 80 89
 @: linvacare@invacare.com

OSKARSHAMN
 ☎: +46 (0)491 1 01 40
 Fax: +46 (0)491 1 01 80
 @: oinvacare@invacare.com

**Eastern
 european
 countries**

**European Distributor
 Organisation (EDO)**
 Kleiststraße 49
 D-32457 Porta Westfalica
Deutschland

☎ +49 (0)5731 75 45 40
 Fax +49 (0)5731 75 45 41
 @: edo@invacare.com
 WWW: www.invacare.de

Table of Contents

Chapter		Page
1	Introduction	12
1.1	Important symbols in this manual	13
1.2	Important symbols found on the vehicle	15
1.2.1	Explanation of symbols on lifter warning sticker	18
1.3	Type classification and permissible use	19
1.4	Indications	19
1.5	Usability	20
1.6	Warranty	21
1.7	Life expectancy	21
2	Safety notes	22
2.1	General safety notes	22
2.2	Safety information with regard to care and maintenance	25
2.3	Safety information on electromagnetic interference	26
2.4	Safety information on driving and freewheel mode	27
2.5	Safety information regarding changes and modifications to the mobility device	29
2.6	Safety information on wheelchairs with a lifter	31
3	Key features	33
4	The position of the labels on the product	34
5	Getting in and out of the wheelchair	35
5.1	Using the cane holder	35
5.2	Removing the armrests to get in	36
5.2.1	Standard Seat	36

	5.2.2 Flex 2 seat	37
6	Driving	39
6.1	Before driving for the first time.....	39
6.2	Parking and stationary.....	40
	6.2.1 Activating and deactivating the manual wheel lock	40
6.3	Taking Obstacles	42
	6.3.1 Maximum obstacle height.....	42
	6.3.2 Safety information when ascending obstacles	42
	6.3.3 The correct way to overcome obstacles.....	43
6.4	Driving up and down gradients.....	44
6.5	Use on public roads	44
7	Pushing the mobility device in freewheel mode	45
7.1	Disengaging motors.....	45
8	Remotes	46
9	Adjusting the wheelchair to the user's seating posture	47
9.1	Adjusting the armrests and the control panel.....	48
	9.1.1 Adapting the control panel to the length of the user's arm	48
	9.1.2 Setting the height of the remote	49
	9.1.2.1 High-End remote holder	49
	9.1.3 Swivelling the remote to the side.....	50
	9.1.4 Setting the height of the armrests.....	51
	9.1.4.1 Standard Seat unit.....	51
	9.1.5 Setting the Hemi armrest rotation.....	52
	9.1.6 Adjusting the width of the armrests	53
	9.1.6.1 Standard Seat unit.....	53
	9.1.6.2 Flex 2 seat unit	54
	9.1.6.3 Modulite seat unit	54

9.1.7	Adjusting the position of the armrest in depth (Flex 2 seat unit)	56
9.1.8	Adjusting the position of the armrest in depth (Modulite seat unit)	57
9.1.9	Adjusting the seat width (Modulite seat unit)	57
9.1.10	Adjusting the seat depth (Modulite seat unit)	58
9.2	Adjusting the seat angle	61
9.2.1	Electric	61
9.2.2	Manually using spindle	61
9.3	Adjusting the backrest.....	63
9.3.1	Adjusting the backrest (standard seat).....	63
9.3.1.1	Electrical	63
9.3.1.2	Manually using perforated plate	64
9.3.1.3	Manually with handscrews.....	65
9.3.2	Adjusting the backrest (Flex 2 seat unit)	66
9.3.2.1	Electrical	66
9.3.2.2	Manually using the gas pressure spring.....	66
9.3.2.3	Manually using the spindle	67
9.3.3	Adjusting the height of the backrest (Modulite seat unit).....	67
9.3.4	Adjusting the width of the backrest (Modulite seat unit)	68
9.3.5	Adjusting the backrest angle (Modulite seat unit).....	70
9.3.5.1	Electric	70
9.3.5.2	Manual	70
9.3.6	Adjusting the tension adjustable backrest upholstery	72
9.4	The Lifter	74
9.4.1	Explanation of symbols on lifter warning sticker.....	75
9.5	Adjusting the headrest.....	76
9.5.1	Adjusting the position of the headrest or neckrest	76
9.5.2	Adjusting the height of the headrest or neckrest	78
9.5.3	Adjusting the cheek supports	79
9.6	Postural belts	79
9.6.1	Types of postural belts.....	80
9.6.2	Adjusting the postural belt correctly.....	80

9.7	Adjusting the lateral supports (Flex Seat)	82
9.7.1	Adjusting the width.....	82
9.7.2	Adjusting the height	83
9.7.3	Adjusting the depth	84
9.8	Adjusting the height-adjustable push handle (Flex 2 seat)	85
9.9	Adjusting and removing the tray	86
9.9.1	Laterally adjusting the tray.....	86
9.9.2	Adjusting the depth of the tray / removing the tray.....	87
9.9.3	Swinging the tray away to the side	87
9.10	Adjusting or removing the luggage carrier	88
9.11	Using the KCLICKfix adapter	89

10 Adjusting footrests and legrests 90

10.1	Legrests or footrests attached to the side	90
10.1.1	Vari-F footrest	90
10.1.1.1	Swivelling the footrest outward and/or removing.....	90
10.1.1.2	Setting the angle.....	92
10.1.1.3	Setting the end stop of the footrest	94
10.1.1.4	Adjusting the length of the footrest.....	97
10.1.2	Vari-A legrests	98
10.1.2.1	Swivelling the legrest outward and/or removing.....	98
10.1.2.2	Setting the angle.....	99
10.1.2.3	Setting the end stop of the legrest.....	102
10.1.2.4	Adjusting the length of the legrest	106
10.1.2.5	Adjusting the depth of the calf plate	107
10.1.2.6	Adjusting the height of the calf pad	108
10.1.2.7	Unlocking and swivelling the calf plate backward when alighting	109
10.1.2.8	Adjusting the angle adjustable foot plate.....	110
10.1.2.9	Adjusting the angle and depth adjustable foot plate	111
10.1.3	ADE legrests	112
10.1.3.1	Swivelling the legrest outward and/or removing.....	112

10.1.3.2	Setting the angle.....	113
10.1.3.3	Adjusting the length of the legrest	114
10.1.3.4	Adjusting the depth of the calf plate	115
10.1.3.5	Adjusting the height of the calf pad	116
10.1.3.6	Unlocking and swivelling the calf plate backward when alighting	117
10.1.3.7	Adjusting the angle adjustable foot plate.....	118
10.1.3.8	Adjusting the angle and depth adjustable foot plate	119
10.1.4	Standard 80° footrest.....	120
10.1.4.1	Swivel the footrests outwards and/or remove them	120
10.1.4.2	Adjusting the length	122
10.1.5	Manually height-adjustable legrest	123
10.1.5.1	Swivelling the legrest outward and/or removing.....	123
10.1.5.2	Setting the angle.....	124
10.1.5.3	Adjusting the length of the legrest	125
10.1.5.4	Adjusting the depth of the calf plate	126
10.1.5.5	Adjusting the height of the calf pad	127
10.1.6	Adjusting the width of the legrests fixed to the side (Standard / Flex 2 seat / Modulite seat)	128

11 Electrical system 129

11.1	Electronics protection system	129
11.2	Batteries	129
11.2.1	Charging the batteries	130
11.2.1.1	General information on charging	130
11.2.1.2	General instructions on charging.....	130
11.2.1.3	How to charge the batteries.....	131
11.2.1.4	How to disconnect the batteries after charging	132
11.2.2	Storage and Maintenance.....	133
11.2.3	Instructions on using the batteries.....	133
11.2.4	Transporting batteries.....	135
11.2.5	Handling batteries	135

11.2.5.1	General instructions on handling the batteries	135
11.2.5.2	How to handle damaged batteries correctly	135
12	Maintenance	137
12.1	Cleaning the mobility device	137
12.2	Inspection checks	138
12.2.1	Before each use of the mobility device	138
12.2.2	Weekly	139
12.2.3	Monthly	140
12.3	Repair Instructions	141
12.3.1	Repairing a flat tyre	141
12.3.1.1	Repairing a flat tyre (front)	142
12.3.2	Repairing a flat tyre at the front (tyre type 280/250-4)	145
12.3.2.1	Repairing tyre punctures (wheel rim type 3.00-8")	147
13	Transport	150
13.1	Transferring the wheelchair to a vehicle	151
13.2	Use of the wheelchair as a seat in a vehicle	152
13.2.1	How the wheelchair is anchored in a vehicle for use as a vehicle seat	154
13.2.2	How the user is secured within the wheelchair	155
13.3	Transporting the wheelchair without occupants	159
13.3.1	Opening the rear cover	159
13.3.2	Removing/Installing the batteries	160
14	Refurbishment	163
15	Disposal	164
16	Technical specifications	165
17	Inspections Performed	172

1 Introduction

Dear user,

First we would like to thank you for purchasing our product! We hope that you will have a great deal of pleasure with your new power wheelchair.

This operating manual contains important information and notes about:

- **Safety**
- **Operation**
- **Care and maintenance**

Please take care to read the operating manual thoroughly before starting out on your first journey.

If you find that the font size in the print version of the user manual is difficult to read, you can download it as a pdf from the Invacare website. This can then be scaled on screen to a font size that is more comfortable for you.

This wheelchair has been constructed for a large circle of users with different requirements.

The decision whether the model is suitable for the user may only be taken by medical specialists with appropriate expertise.

Invacare® or their statutory representatives can accept no liability in cases in which the wheelchair has not been adapted to suit the users' handicaps.

Some maintenance and settings can be performed by the user or his/hers attendants. Certain adjustments do however require technical training and may only be carried out by your Invacare® specialist dealer. Damages and errors caused by nonobservance of the user manual or as a result of incorrect maintenance are excluded from all guarantees.

This manual contains copyrighted information. This manual may not be reproduced or reprinted either partly or completely without previous written consent from Invacare® or its statutory representatives. We reserve the right to make any necessary alterations on the grounds of technical improvements.

1.1 Important symbols in this manual



General risks

This symbol warns you of general hazards!

- *Always follow the instructions to avoid injury to the user or damage to the product.*
-



EXPLOSION HAZARD!

This symbol warns you of an explosion hazard, which can be caused by excessive tyre pressure in a pneumatic tyre.

- *Always follow the instructions to avoid injury to the user or damage to the product.*
-



BURN HAZARD!

This symbol warns you of the danger of chemical burns, for example due to the discharge of battery acids!

- *Always follow the instructions to avoid injury to the user or damage to the product.*
-



BURN Risk!

This symbol warns of the risk of burns, for example, as a result of hot motor surfaces.

- *Follow the instructions in order to avoid injury or damage to the product.*
-



RISK OF CRUSHING!

This symbol warns of a risk of crushing caused by being careless with heavy components.

- *Always follow the instructions to avoid injury to the user or damage to the product.*
-



Wear eye protection

This symbol refers to the requirement for wearing eye protection, for example when working with batteries.

- *You must wear safety goggles when this symbol is displayed.*
-



Wear protective gloves

This symbol indicates the requirement to wear protective gloves, for example when working with batteries.

You must wear protective gloves when this symbol is displayed.



NOTE:

This symbol identifies general information which is intended to simplify working with your product and which refers to special functions.



Requirements:

- This symbol identifies a list of various tools, components and items which you will need in order to carry out certain work. Please do not attempt to carry out the work if you do not have the listed tools available.
-



READ WELL BEFORE OPERATION!

This symbol advises you to read information carefully.

1.2 Important symbols found on the vehicle



This product has been supplied from an environmentally aware manufacturer. This product may contain substances that could be harmful to the environment if disposed of in places (landfills) that are not appropriate according to legislation.

- *The 'crossed out wheelie bin' symbol is placed on this product to encourage you to recycle wherever possible.*
 - *Please be environmentally responsible and recycle this product through your recycling facility at its end of life.*
-



This symbol indicates the “Drive” position of the coupling lever. In this position the motor is engaged and the motor brakes are operational. You can drive the wheelchair.

- *Please note that for driving purposes both motors must always be engaged.*



This symbol indicates the “Push” position of the coupling lever. In this position the motor is disengaged and the motor brakes are not operational. The wheelchair can be pushed by an attendant and the wheels turn freely.

- *Please note that the control panel must be switched off.*
 - *Please also note the information provided in section "**Pushing the mobility device in freewheel mode**" on page 45.*
-



This symbol indicates the position of an anchor point when using a lashing system during transport.



If the symbol appears on a bright yellow sticker, the anchoring point is suitable for fixation of the wheelchair in a vehicle for use as a vehicle seat.



This wheelchair may not be used as a vehicle seat!

- *This wheelchair does not satisfy the requirements of ISO 7176-19:2001 and may not under any circumstances be used as a vehicle seat or to transport the user in a vehicle.*
 - *Using a wheelchair that does not fulfill these criteria as a vehicle seat can lead to the most severe injuries and even death in the event of a traffic accident.*
-



This wheelchair may be used as a vehicle seat, but only if it is equipped with a headrest that has been approved by Invacare for this purpose!

- *Please always make sure that the wheelchair is equipped with a headrest approved by Invacare before using it as a vehicle seat!*
-



This symbol indicates the maximum width to which an armrest may be adjusted. Pulling the armrest out further can cause it to fall out of its fixation. For further information, see chapter "Adjusting the width of the armrests" on page 53.



If the power wheelchair is fitted with a table, it is imperative that it is removed and safely stowed when transporting the wheelchair in a vehicle!

1.2.1 Explanation of symbols on lifter warning sticker



Do not lean out when the lifter is raised!



Do not drive up or down slopes when the lifter is raised!



Do not allow any body parts to get under a raised seat!



Never drive with two people!



Never drive over uneven surfaces when the lifter is raised!

1.3 Type classification and permissible use

This vehicle was designed for persons whose ability to walk is impaired, but who are still in terms of their eyesight and physically and mentally able to operate an electric vehicle. It has been classified according to EN 12184 as a **class B mobility product** (for indoor and outdoor areas). It is therefore compact and agile enough for indoor areas, but also able to overcome many obstacles in outdoor areas.

You can find precise information about speed, turning radius, driving range, maximum safe slope, maximum obstacle height and permissible operating conditions in chapter "Technical specifications" starting from page 165.

Please also pay attention to all safety information in chapter "Safety notes" starting from page 22.

The vehicle was successfully tested according to German and international standards as to its safety. It satisfies the requirements according to DIN EN 12184 including EN 1021-1/-2. It was also tested successfully according to EN60529 IPX4 as to its resistance to spray water, and is therefore well suited for typical middle European weather conditions. When equipped with an appropriate lighting system, the vehicle is suitable for use on public roads.

1.4 Indications

The use of this mobility product is recommended for the following indications:

The inability or a greatly restricted ability to walk within the scope of the basic requirement to be able to move within one's own four walls. The need to leave the dwelling place in order to get some fresh air during a short walk or to reach those places generally to be found at close distance to the dwelling and where everyday business is carried out.

Provision of power wheelchairs for interior and exterior areas is advisable if the use of hand-operated wheelchairs is no longer possible on account of the disability, yet proper operation of an electromotive drive unit is still practicable.

1.5 Usability

Only use a power wheelchair when it is in perfect working order. Otherwise, you might put yourself and others at risk.

The following list does not claim to be exhaustive. It is only intended to show some of the situations that could affect the usability of your power wheelchair.

In certain situations, you should immediately stop using your wheelchair. Other situations allow you to use the wheelchair to get to your dealer.

- You should immediately stop using your power wheelchair if its usability is restricted due to:
 - brake failure
- You should immediately contact an authorised Invacare® dealer if the usability of your power wheelchair is restricted due to:
 - the lighting system failing or being defective
 - reflectors falling off
 - worn thread or insufficient tyre pressure
 - damage to the armrests (e.g. torn armrest padding)
 - damage to the legrest hangers (e.g. missing or torn heel loops)
 - damage to the postural belt
 - damage to the joystick (joystick cannot be moved into the neutral position)
 - cables that are damaged, kinked, pinched or have come loose from the holder
 - the wheelchair drifting when braking
 - the wheelchair pulling to one side when moving

- unusual sounds developing or occurring

Or if you have the feeling that something is wrong with your wheelchair.

1.6 Warranty

The terms and conditions of the warranty are part of the general terms and conditions particular to the individual countries in which this product is sold.

1.7 Life expectancy

We estimate a life expectancy of five years for this product, provided it is used in strict accordance with the intended use as set out in this document and all maintenance and service requirements are met. The estimated life expectancy can be exceeded if the product is carefully used and properly maintained, and provided technical and scientific advances do not result in technical limitations. The life expectancy can also be considerably reduced by extreme or incorrect usage. The fact that we estimate a life expectancy for this product does not constitute an additional warranty.

2 Safety notes



READ WELL BEFORE OPERATION!

2.1 General safety notes



Danger of injury if mobility device is used in any other way than the purpose described in this manual!

- *Only ever use the mobility device in accordance with the instructions in this User's Manual (see chapter "Type classification and permissible use" on page 19).*
- *Pay strict attention to the safety information.*

Danger of injury if the mobility device is driven when ability to operate a vehicle is impaired by medication or alcohol!

- *Never drive the mobility device under the influence of medication or alcohol. If necessary, the mobility device must be operated by an attendant who is physically and mentally able.*

Danger of damage or injury if mobility device is accidentally set into motion!

- *Switch the mobility device off before you get in, get out or handle unwieldy objects.*
 - *When the drive is disengaged, the brake inside the drive is deactivated. For this reason, pushing the mobility device by an attendant is only recommended on flat surfaces, never on gradients. Never leave your mobility device on a gradient with its motors disengaged. Always re-engage the motors immediately after pushing the mobility device (see chapter "Pushing the mobility device in freewheel mode" on page 45).*
-



Danger of injury if the mobility device is switched off while driving, for example by pressing the On/Off Button or disconnecting a cable, due to it coming to an abrupt, sharp stop!

- *If you have to brake in an emergency, simply release the joystick which will bring you to a halt. (refer to the joystick operating manual for more information).*

Danger of injury when transferring mobility device to a vehicle for transport with the occupant seated in it!

- *It is always better to transfer the mobility device to a vehicle without the occupant seated in it.*
- *If the mobility device needs to be loaded up a ramp together with its driver, ensure that the ramp does not exceed the maximum safe slope (see chapter "Technical specifications" from page 165).*
- *If the mobility device does need to be loaded using a ramp which exceeds the maximum safe slope (see chapter "Technical specifications" from page 165), then you must use a winch. An attendant can safely monitor and assist the loading process.*
- *As an alternative you can use a platform lift. Ensure that the total weight of the mobility device including the user does not exceed the maximum permissible weight for the platform lift or winch if you are using.*

Danger of injury if maximum permissible load is exceeded!

- *Do not exceed the maximum permissible load (see chapter "Technical specifications" from page 165).*
 - *The mobility device is only designed for use by a single occupant whose maximum weight does not exceed the maximum permissible load of the device. Never use the mobility device to transport more than one person.*
-



Danger of injury due to wrong lifting or dropping of heavy components!

- *When maintaining, servicing or lifting any part of your mobility device, take into account the weight of the individual components especially the batteries. Be sure at all times to adopt the correct lifting posture and ask for assistance if necessary.*

Danger of falling out of the mobility device.

- *Do not slide forward on the seat, do not lean forward between your knees, do not lean backwards out over the top of the backrest, for example to reach an object.*
- *If a posture belt is installed, it should be correctly adjusted and used each time you use the mobility device.*
- *When transferring to a different seat, position the mobility device as close as possible to the new seat.*

Danger of injury by moving parts!

- *Make sure that no injury is incurred by moving parts of the mobility device, like wheels or one of the Lifter Modules (if fitted), especially when children are around.*

Risk of injury from hot surfaces!

- *Do not leave the wheelchair in direct sunlight for prolonged periods. Metal parts and surfaces such as the seat and armrests can become very hot.*

Danger of fire or breaking down due to electric devices being connected!

- *Do not connect any electric devices to your mobility device that are not expressly certified by Invacare® for this purpose. Have all electrical installations done by your authorised Invacare® Dealer.*
-

2.2 Safety information with regard to care and maintenance



Danger of accident and loss of guarantee if maintenance is insufficient!

- *For reasons of safety and in order to avoid accidents which result from unnoticed wear, it is important that this electric mobility product undergoes an inspection once every year under normal operating conditions (see inspection plan contained in service instructions).*
 - *Under difficult operating conditions such as daily travel on steep slopes, or in the case of use in medical care cases with frequently changing wheelchair users, it would be expedient to carry out intermediate checks on the brakes, accessories and running gear.*
 - *If the mobility product is to be operated on public roads, the vehicle driver is responsible for ensuring that it is in an operationally reliable condition. Inadequate or neglected care and maintenance of the mobility product will result in a limitation of the manufacturer's liability.*
-

2.3 Safety information on electromagnetic interference

This electric vehicle was successfully tested in accordance with International standards as to its compliance with Electromagnetic Interference (EMI) regulations. However, electromagnetic fields, such as those generated by radio and television transmitters, and cellular phones can influence the functions of electric vehicles. Also, the electronics used in our vehicles can generate a low level of electromagnetic interference, which however will remain within the tolerance permitted by law. For these reasons we ask you to please observe the following precautions:



WARNING: Danger of malfunction due to electromagnetic interference!

- *Do not switch on or operate portable transceivers or communication devices (such as radio transceivers or cellular phones) when the vehicle is switched on.*
 - *Avoid getting near strong radio and television transmitters.*
 - *In case the vehicle should be set in motion unintentionally or the brakes are released, switch it off immediately.*
 - *Adding electrical accessories and other components or modifying the vehicle in any way can make it susceptible to electromagnetic interference. Keep in mind that there is no sure way to determine the effect such modifications will have on the overall immunity of the electronic system.*
 - *Report all occurrences of unintentional movement of the vehicle, or release of the electric brakes to the manufacturer.*
-

2.4 Safety information on driving and freewheel mode



Danger of injury if the wheelchair tips over!

- *Inclines and declines can only be travelled up to the maximum safe slope (see chapter "Technical specifications" from page 165).*
 - *Always return the backrest of your seat or the seat tilt to an upright position before ascending slopes. We recommend that you position the seat backrest and the seat tilt (if fitted) slightly to the rear before descending slopes.*
 - *Only ever drive downhill at a maximum of 2/3 of the top speed. Avoid abrupt braking or accelerating on gradients.*
 - *If at all possible, avoid driving on slippery surfaces (such as snow, gravel, ice etc.) where there is a danger of you losing control over the vehicle, especially on a gradient. If driving on such a surface is inevitable, then always drive slowly and with the utmost caution.*
 - *Never attempt to overcome an obstacle when on an uphill or downhill gradient.*
 - *Never attempt to drive up or down a flight of steps with your wheelchair.*
 - *When overcoming obstacles, always observe the maximum obstacle height (see chapter "Technical specifications" from page 165 and information about overcoming obstacles in chapter "Taking Obstacles" from page 42).*
 - *Avoid shifting your centre of gravity as well as abrupt joystick movements and changes of direction when the wheelchair is in motion.*
 - *Never use the wheelchair to transport more than one person.*
 - *Do not exceed the overall maximum permissible load or the maximum load per axle (see chapter "Technical specifications" on page 165).*
 - *Note that the wheelchair will brake or accelerate if you change the Driving Mode whilst the wheelchair is in motion.*
-



Danger of breaking down in adverse weather conditions, i.e. extreme cold, in an isolated area!

- *If you are a user with severely limited mobility, we advise that in the case of adverse weather conditions DO NOT attempt a journey without an accompanying attendant!*

Danger of injury if your foot slides off the footrest and gets caught underneath the wheelchair when it is in motion!

- *Make sure each time before you drive the wheelchair that your feet are squarely and securely in place on the footplates, and that both legrests are properly locked into place.*

Danger of injury if you collide with an obstacle when driving through narrow passages such as doorways and entrances!

- *Drive through narrow passages in the lowest driving mode and with due caution.*

If your power wheelchair has been fitted with angle-adjustable legrests, there is a danger of personal injury and damage to the wheelchair if you drive the wheelchair with the legrests raised!

- *To avoid unwanted displacement of the wheelchair centre of gravity to the front (especially when travelling downhill) and in order to avoid damage to the wheelchair, angle-adjustable legrests must always be lowered during normal travelling.*
-



CAUTION: Danger of tipping! Anti tip wheels (stabilisers) are only effective on firm ground! They sink in on soft ground such as grass, snow or mud if the mobility device rests itself on them. They lose their effect and the mobility device can tip over.

- *Only drive with extreme care on soft ground, especially during uphill and downhill journeys. In the process pay increased attention to the tip stability of the mobility device.*
-

2.5 Safety information regarding changes and modifications to the mobility device



CE marking of the wheelchair

The conformity assessment/ CE marking was carried out in accordance with Directive 93/42 EEC / MPG (Medical Devices Act) and only applies to the complete product.

The CE marking is invalidated if components or accessories are replaced or added that have not been approved for this product by Invacare.

In this case, the company that adds or replaces the components or accessories is responsible for the conformity assessment/ CE marking or for registering the wheelchair as a special design and for the relevant documentation.



CAUTION: Danger of injuries and damage to mobility aid due to unapproved components and accessory parts!

Seating systems, additions and accessory parts which have not been approved by Invacare® for use with this mobility aid can affect the tipping stability and increase tipping hazards!

- *Only ever use seating systems, additions and accessory parts which have been approved by Invacare® for this mobility aid!*

Seating systems which are not approved by Invacare® for use with this power wheelchair do not, under certain circumstances, comply with the valid standards and could increase the flammability and the risk of skin irritation.

- *Only use seating systems that have been approved by Invacare® for this power wheelchair.*

Electrical and electronic components which have not been approved by Invacare® for use with this mobility aid can cause fire hazards and lead to electromagnetic damage!

- *Only ever use electrical and electronic components which have been approved by Invacare® for this mobility aid!*

Batteries which have not been approved by Invacare® for use with this mobility aid can cause chemical burns!

- *Only ever use batteries which have been approved by Invacare® for this mobility aid!*
-



CAUTION: Risk of injuries, and damage to the wheelchair, if unapproved backrests are used!

A retrofitted backrest which is not approved by Invacare® for use with this power wheelchair may overload the backrest tube and thus increase the risk of injuries and of damage to the wheelchair.

- *Please contact your Invacare® specialist dealer who will perform risk analyses, calculations, stability checks etc. to ensure that the backrest can be used safely.*
-

2.6 Safety information on wheelchairs with a lifter



WARNING! Danger of injury by moving parts!

- *Never let objects get caught in the space underneath a raised lifter!*
 - *Make sure that neither you nor anyone else is injured by placing hands, feet or other body extremities under the raised seat!*
 - *Should you not be able to view under the seat, e.g. due to limited manoeuvrability, turn the wheelchair once on its own axle before you lower the seat. This will allow you to make sure that nobody is located in the danger zone.*
-



CAUTION!

Danger of injury if the wheelchair tips over!

- *Never exceed the maximum permissible load (see chapter "Technical specifications" from page 165)!*
- *Avoid dangerous driving situations when the lifter is in a raised position, such as trying to overcome obstacles like kerbs or driving up or down steep gradients!*
- *Never lean out of the seat when the lifter is raised!*
- *Inspect the lifter module at least once a month to make sure the automatic speed reduction function, which reduces the speed of the wheelchair when the lifter is raised, is working properly (see chapter "The Lifter" from page 74)! Notify your authorised dealership immediately if it is not working properly!*

Danger of malfunction of the Lifter Module!

- *Inspect the lifter module at regular intervals to make sure there are no foreign objects or visible damage, and to make sure the electric plugs are firmly inserted into their sockets!*
-



Important information regarding speed reduction with raised lifter!

If the lifter has been raised above a certain point, the drive electronics considerably reduces the speed of the mobility aid. If speed reduction has been activated, drive mode can only be used to carry out minor movements of the mobility aid and not for regular driving! To drive normally, please lower the lifter until the speed reduction has been deactivated again!

3 Key features

- 1) Headrest
- 2) Armrest
- 3) Drive wheel
- 4) Lever for disengaging a motor (only visible on right-hand side of picture)
- 5) Remote
- 6) Legrests



4 The position of the labels on the product

- 1) Note: Remove the table before transporting
- 2) Identification of the lashing eyes at the front and back
Warning that the wheelchair may not be used as a vehicle seat
Note on required head support if the wheelchair may be used as a vehicle seat
- 3) Identification label sticker on the chassis at the front right (also included in the pass card)
- 4) Warning regarding the use of the lifter, if fitted
- 5) Identification of the position of the coupling lever for driving and push operation (only the right side is visible in the picture)
- 6) Indication of the maximum width to which the armrest can be set (standard seat and Modulite seat)



The symbols on the labels are explained in section "**Important symbols found on the vehicle**" on page 15.

5 Getting in and out of the wheelchair



Important information for getting into and out of the wheelchair from the side!

The armrest must be removed in order to get into or out of the wheelchair from the side.

5.1 Using the cane holder

If your mobility device is fitted with a cane holder, it can be used for the safe transport of a walking cane, underarm or forearm crutches. The cane holder consists of a plastic container (bottom) and a Velcro fastener (top).



WARNING! Risk of injury! A walking cane or crutches that are not secured during transport (on the user's lap, for example) can cause injury to the user or other persons!

- *During transport, walking canes or crutches should always be secured using a cane holder!*
-
- Open the upper Velcro fastener.
 - Place the lower end of the walking cane or the crutches in the container at the bottom.
 - The walking cane or the crutches can be secured at the upper end using the Velcro fastener.

5.2 Removing the armrests to get in

The armrest is either fixed with a locking pin or a locking screw, depending on the version. If you intend to get into the mobility device on the side that the remote is on, then depending on the remote version you may be able to detach the remote cable.

5.2.1 Standard Seat

Removing the armrest:

- The remote cable (1) can be removed from remote depending on the remote version.
- Loosen wing nut (2)
- Remove the side panel from the receptacle



5.2.2 Flex 2 seat

Removing the armrest:

- Loosen remote cable (1) from remote.
- Push the locking pin (2) in.
- Remove the side panel from the holder tube.



Getting into the wheelchair:

- Position your wheelchair as close as possible to your seat. This might have to be done by an attendant.
- Switch your wheelchair off.
- Apply the manual wheel lock of your wheelchair (if existing).
- Detach the skirt guard of your wheelchair or swivel it up.
- Now slide into the wheelchair.



Getting out of the wheelchair:

- Drive your wheelchair as close as possible to your seat.
- Switch your wheelchair off.
- Apply the manual wheel lock of your wheelchair (if existing).
- Detach the skirt guard of your wheelchair or swivel it up.
- Now slide onto your new seat.



NOTE:

If you do not have sufficient muscle strength, you should ask other persons for help. Use a sliding board, if possible.

6 Driving



NOTE

The maximum load capacity that is stated in the technical data only states that the system is designed for this mass in total. However, this does not mean that one can sit a person with this body weight in the wheelchair without restrictions. Attention must be paid to the body proportions, such as height, weight distribution, abdominal girth, leg and calf girth and seat depth. These factors have a strong influence on driving features such as tilt stability and traction. The permissible axle loads in particular must be adhered to (see chapter "**Technical specifications**" as from page **165**)! It may possibly be necessary to carry out adaptations to the seat system.

6.1 Before driving for the first time...

Before you take your first trip, you should familiarise yourself well with the operation of the vehicle and with all operating elements. Take your time to test all functions and driving modes.



NOTE:

If installed, make sure to properly adjust and use the postural belt each time you use the wheelchair.

Sitting Comfortably = Driving Safely

Before each trip, make sure that:

- **You are within easy reach of all operating controls.**
- **The battery charge is sufficient for the distance intended to be covered.**
- **The postural belt (if installed) is in perfect order.**

- **The rear mirror (if installed) is adjusted so you can look behind at all times without having to bend forward or shift your seating position.**

6.2 Parking and stationary

When parking your vehicle or if your vehicle is stationary for a prolonged period:

- Switch the vehicle's power system off (ON-/OFF key).
- Activate your anti-theft lock, if existing.

6.2.1 Activating and deactivating the manual wheel lock

The motors of the wheelchair are equipped with automatic brakes, preventing that the wheelchair starts rolling out of control when the joystick box is switched off.

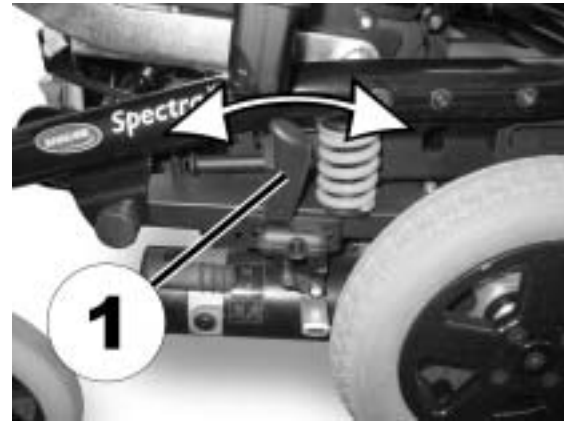
Your wheelchair can also be fitted with parking brakes in addition to the motor brakes. These prevent the wheelchair from rocking during transport, for example in the case of play in the transmission.

Engaging the parking brake:

- Press lever (1) forward.

Disengaging the parking brake:

- Pull lever (1) backwards.



6.3 Taking Obstacles

6.3.1 Maximum obstacle height

You can find information about maximum obstacle heights in the chapter entitled "**Technical specifications**" from page **165**.

6.3.2 Safety information when ascending obstacles



CAUTION: Danger of Tipping Over!

- *Never approach obstacles at an angle but at 90 degrees as shown below.*
 - *Put your backrest into an upright position before climbing an obstacle.*
-



ATTENTION: Risk of falling out of the chair and damage to the power wheelchair such as broken castors!

- *Never approach obstacles that are higher than the maximum climbable obstacle height. For the maximum climbable obstacle height, see "Technical specifications" on page 165.*
 - *If unsure whether the kerb climb is possible or not, move away from the obstacle and if possible find another location.*
-

6.3.3 The correct way to overcome obstacles

Ascending

- Approach the obstacle or the kerb slowly, head-on and at a right angle.
- Depending on the wheel drive type, stop in one of the following positions:
 - In the case of centrally driven wheelchairs: 5 - 10 cm before the obstacle.
 - For all other drives: approx. 30 - 50 cm in front of the obstacle.
- Check the position of the front wheels. They must be in driving direction and at right angles to the obstacle.
- Approach slowly and keep at a consistent speed until the rear wheels have also passed over the obstacle.

Descending

The approach to descend an obstacle is the same as to ascend it with the difference that you need not stop before descending.

- Descend the obstacle very slowly.

Right



Wrong



6.4 Driving up and down gradients

For information concerning the maximum safe slope, please see chapter "**Technical specifications**" starting on page 165.



WARNING: Danger of tipping over!

- *Only ever drive downhill at a maximum of 2/3 of the top speed. Avoid sudden changes of direction or abrupt braking when driving on slopes.*
 - *Always return the backrest of your seat or the seat tilt (if adjustable seat tilt is available) to an upright position before ascending slopes. We recommend that you position the seat backrest or the seat tilt slightly to the rear before descending slopes.*
 - *Always lower the lifter (if fitted) to its lowest position before ascending or descending a slope.*
 - *Never attempt to ascend or descend a slope on slippery surfaces or where there is a danger of skidding (such as wet pavement, ice etc).*
 - *Avoid trying to get out of the vehicle on an incline or a gradient.*
 - *Always drive straight in the direction the road or path you are on goes, rather than attempting to zigzag.*
 - *Never attempt to turn around on an incline or a slope.*
-



Braking distance is much longer on a downhill slope than on even terrain!

- *Never drive down a slope that exceeds the maximum safe slope (see chapter "**Technical specifications**" on page 165).*
-

6.5 Use on public roads

If you wish to use your wheelchair on public roads and lighting is required by national legislation, then your wheelchair needs to be equipped with an appropriate lighting system.

Please contact your Invacare ® dealer if you have any questions.

7 Pushing the mobility device in freewheel mode

The motors of the wheelchair are equipped with automatic brakes, preventing that the wheelchair starts rolling out of control when the joystick box is switched off. When pushing the wheelchair manually whilst freewheeling, the magnetic brakes must be disengaged.



NOTE:

Pushing the wheelchair by hand may require more physical force than expected (more than 100 N). The necessary force nevertheless complies with the requirements of ISO 7176-14:2008.

7.1 Disengaging motors



Danger of the vehicle running away!

- *When the motors are disengaged (for push operation whilst freewheeling), the electromagnetic motor brakes are deactivated! When the vehicle is parked, the levers for engaging and disengaging the motors must without fail be locked firmly into the "DRIVE" position (electromagnetic motor brakes activated)!*
-



NOTE:

The motors may only be disengaged by an attendant, not by the user!

This ensures that the motors are only disengaged if an attendant is available to secure the wheelchair and prevent unintended rolling.

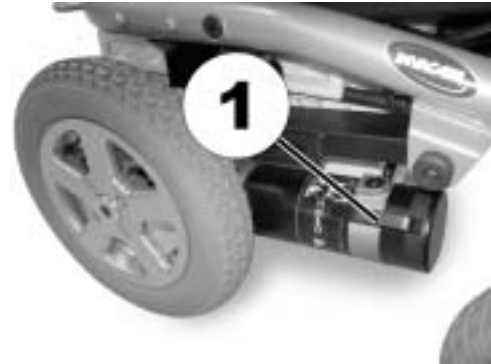
The levers for disengaging the motors are located on each motor.

Disengaging the motor:

- Switch off remote.
- Push the engaging lever down (1). The motor is disengaged.

Engaging the motor:

- Pull the engaging lever (1) upwards. The motor is engaged.



8 Remotes

Your wheelchair may be equipped with one of several different remotes. For information on the different functions and how to operate a particular remote, please see its corresponding User Manual (enclosed).

9 Adjusting the wheelchair to the user's seating posture



CAUTION: Damage to wheelchair and accident hazard! It is possible that collisions can occur between wheelchair components due to various combinations of adjustment options and their individual settings!

- *The wheelchair is fitted with an individual, multiply adjustable seating system including adjustable legrests, armrests, a headrest or other options. These adjustment options are described in the following chapters. They are used to adapt the seat to the physical requirements and the condition of the user. When adapting the seating system and the seat functions to the user, ensure that no wheelchair components collide.*
-



Note

Initial setup should always be done by a healthcare professional. Adjustment by the user is only recommended after they have been given appropriate guidance by the healthcare professional.

9.1 Adjusting the armrests and the control panel



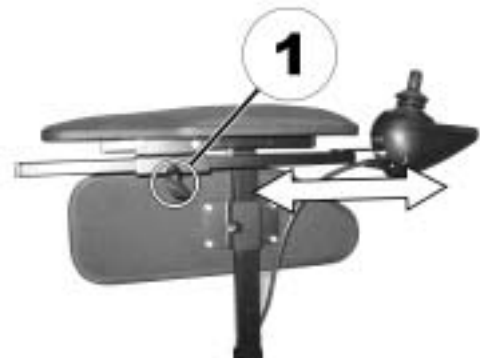
CAUTION: Danger of the control panel being pushed backwards during an accidental collision with an obstacle, such as a doorframe or table, and the joystick being jammed against the armpad if the position of the control panel is adjusted and all screws are not completely tightened! This will cause the mobility device to drive forward uncontrollably and potentially injure the mobility device user and any person standing in the way!

- *When adjusting the position of the control panel, always make sure to tighten all screws securely!*
 - *If this should accidentally happen, immediately switch the mobility device electronics OFF at the control panel!*
-

9.1.1 Adapting the control panel to the length of the user's arm

The photo shows the armrest of the firm seat, other armrests are similar to this.

- Release wing screw (1).
- Adjust the remote by pushing it forwards or backwards to the required location.
- Retighten the screw.



9.1.2 Setting the height of the remote

9.1.2.1 High-End remote holder



Pre-requisites:

- 1x 6 mm Allen key
-

- Loosen the Allen screw (1).
- Adjust the remote to the desired height.
- Re-tighten the Allen screw.



9.1.3 Swivelling the remote to the side

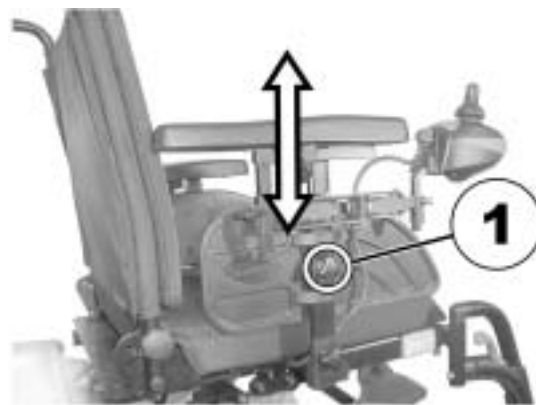
If your wheelchair is fitted with a swing-away remote bracket, then the remote can be moved away to the side, for example to drive up close to a table.



9.1.4 Setting the height of the armrests

9.1.4.1 Standard Seat unit

- Loosen the wing screw (1).
- Set the armrest to the desired height.
- Re-tighten wing screw.



9.1.5 Setting the Hemi armrest rotation

Carrying out adjustments

- Swivel the armrest inwards or outwards.



9.1.6 Adjusting the width of the armrests

9.1.6.1 Standard Seat unit



WARNING! Serious injury hazard if one of the armrests falls out of its bracket because they have been adjusted to a width which exceeds the permissible value!



- *The width adjustment is fitted with small stickers with markings and the word "STOP"! The armrests must never be pulled out further than the point at which the word "STOP" is completely legible!*
- *Always tighten the fixing screws properly once adjustments have been completed!*

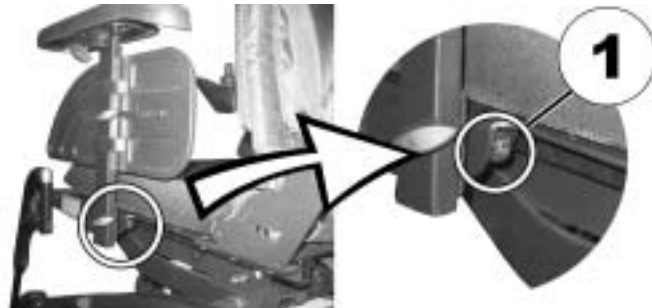


Requirements:

- Allen key 8 mm

Carrying out adjustments

- Loosen screw (1)
- Adjust armrest to required position.
- Retighten the screw.
- Repeat this procedure for the second armrest.



9.1.6.2 Flex 2 seat unit

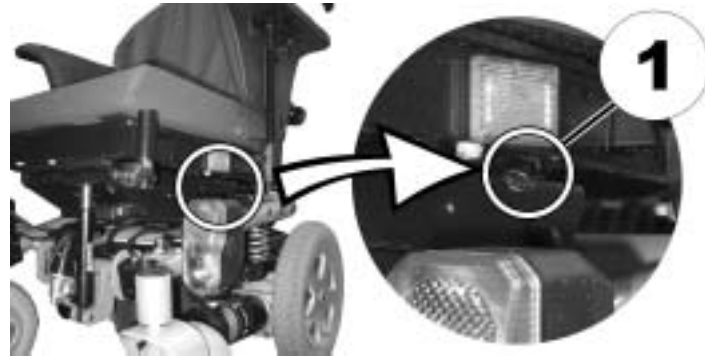


Requirements:

- Allen key 8 mm
-

Carrying out adjustments

- Loosen screw (1)
- Adjust armrest to required position.
- Retighten the screw.
- Repeat this procedure for the second armrest.



9.1.6.3 Modulite seat unit



WARNING! Serious injury hazard if one of the armrests falls out of its bracket because they have been adjusted to a width which exceeds the permissible value!



- *The width adjustment is fitted with small stickers with markings and the word "STOP"! The armrests must never be pulled out further than the point at which the word "STOP" is completely legible!*
 - *Always tighten the fixing screws properly once adjustments have been completed!*
-



Note

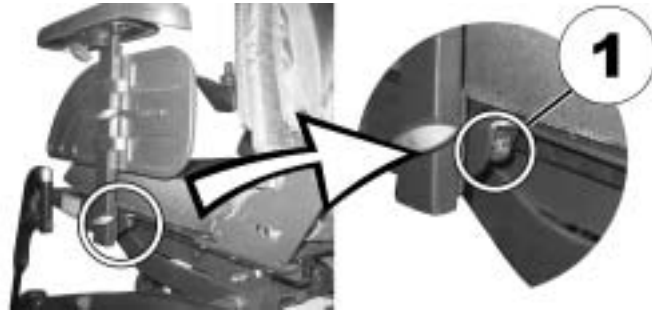
Depending on the side, the screw is accessible from the front or the rear.

**Requirements:**

- Allen key 8 mm
-

Carrying out adjustments

- Loosen screw (1)
- Adjust armrest to required position.
- Retighten the screw.
- Repeat this procedure for the second armrest.



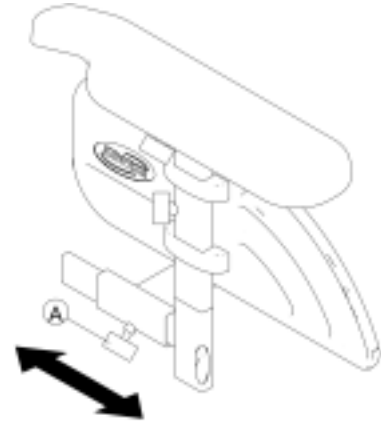
9.1.7 Adjusting the position of the armrest in depth (Flex 2 seat unit)



WARNING! Serious risk of injury if an armrest falls out of its bracket because it was pulled too far forward.

- *The armrest may be pulled forward out of the bracket as far as the point where the end of the inserted tube is flush with the rear of the bracket, but no further.*

- Loosen the screw (A) and move the armrest in depth.
- Tighten the screw securely.

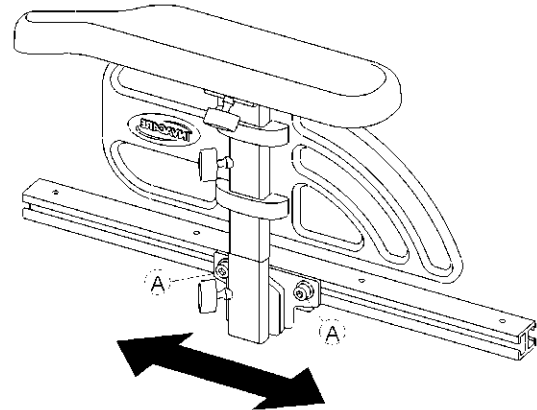


9.1.8 Adjusting the position of the armrest in depth (Modulite seat unit)



Prerequisites:

- 1x 6 mm Allen key
-
- Loosen the screws (A) and move the armrest in depth.
 - Tighten the screws.



9.1.9 Adjusting the seat width (Modulite seat unit)

The telescopic seat support can be adjusted in four stages. The seat width can thus be adjusted together with the adjustable seat plate or the adjustable sling seat.

The description of how the width is adjusted is contained in the service instructions for this mobility device. The service instructions can be ordered from Invacare®. However, they contain instructions for specially trained service technicians and describe operations that are not intended for the end user.

9.1.10 Adjusting the seat depth (Modulite seat unit)



Note

The seat depth has a major influence on the selection of the center of gravity of the seat. This impacts its dynamic stability. If you make a major change to the seat depth the center of gravity of the seat must also be adjusted. See "Adjusting the center of gravity of the seat" in the service instructions for this mobility device. The service instructions can be ordered from Invacare®. However, they contain instructions for specially trained technicians and describe operations that are not intended for the end user.



Note

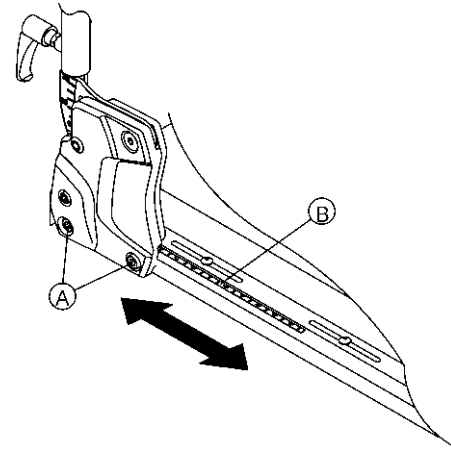
The numbers on the scale on the seat serve as a guide. They do not stipulate any dimensions such as seat depth in centimeters.



Requirements:

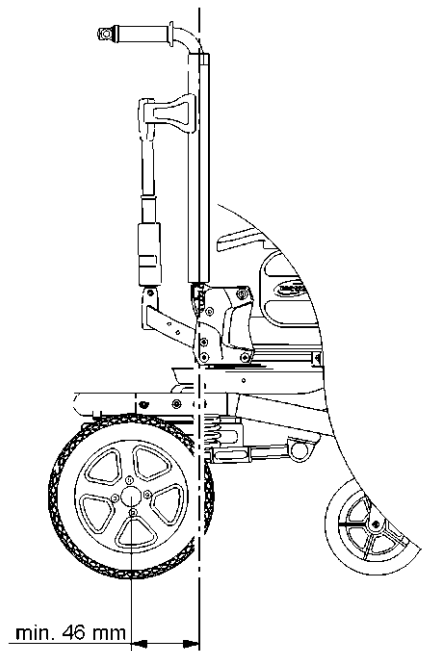
- 1x 6 mm Allen key
-

- On both sides, loosen the bottom backrest screw (A).
Do not remove the screws!
- Move the backrest to the required seat depth.
You can adjust the seat depth steplessly. Use scale (B) on the seat as a guide for this purpose.



Ensure that

- the same seat depth is set on both sides.
- the distance between backrest and rear axle ALWAYS is at least 46 mm.
- Re-tighten the screws.



9.2 Adjusting the seat angle



CAUTION! Adjusting the seat tilt or the backrest angle changes the geometry of the mobility device and directly influences its dynamic stability!

- *For details regarding dynamic stability, negotiating gradients and obstacles and the correct adjustment of seat tilt or backrest angle, please see chapters "Taking Obstacles" on page 42 and "Driving up and down gradients" on page 44.*
-

9.2.1 Electric

Please consult the user manual for your remote for information about electrical adjustment.

9.2.2 Manually using spindle

The seat angle is adjusted by means of a spindle, which is to be found at the front underneath the seat frame.

When adjusting the seat angle it should be ensured that at least 1cm of the threaded bolt always remains inside the spindle and is not completely unscrewed from the spindle.



NOTE

It is easier to adjust the angle of the seat when there is nobody sitting in the wheelchair.

The figure to the right shows the position of the spindle (1) for manual seat angle adjustment.



9.3 Adjusting the backrest



CAUTION! Adjusting the seat tilt or the backrest angle changes the geometry of the mobility device and directly influences its dynamic stability!

- *For details regarding dynamic stability, negotiating gradients and obstacles and the correct adjustment of seat tilt or backrest angle, please see chapters "Taking Obstacles" on page 42 and "Driving up and down gradients" on page 44.*
-

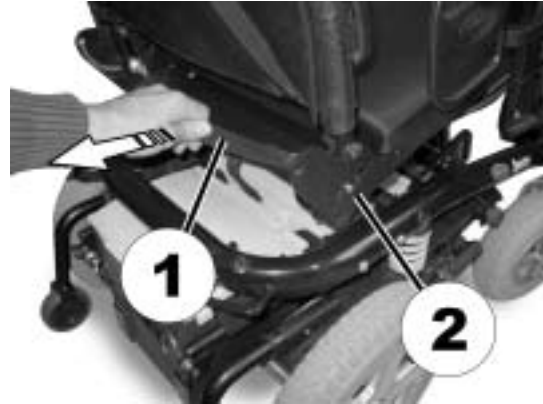
9.3.1 Adjusting the backrest (standard seat)

9.3.1.1 Electrical

Please consult the user manual for your remote for information about electrical adjustment.

9.3.1.2 Manually using perforated plate

- Pull the belt (1) to the rear. The locking pins (2, only the right-hand side visible in image) are pulled out of the perforated plates. The backrest can now be moved.
- Adjust the backrest to the required position.
- Release the belt again. The locking pins engage automatically.



9.3.1.3 Manually with handscrews

The angle of the backrest has six positions, from -10° to $+30^{\circ}$.

- Remove the screws (1) on both sides of the backrest that hold it in position.
- Set the backrest to the desired angle by selecting a combination of one of the two holes in the backrest frame, and one of the six holes in the metal fixation plate.
- Re-position screws and tighten them.



9.3.2 Adjusting the backrest (Flex 2 seat unit)

9.3.2.1 Electrical

Please consult the user manual for your remote for information about electrical adjustment.

9.3.2.2 Manually using the gas pressure spring

The lever (1) for adjusting the backrest angle is located on the opposite side from the remote under the armrest. If, for example, the remote is installed on the right, the lever is located on the left.

- Pull the lever upwards. Adjust the backrest to the required angle.
- Release the lever again. The backrest engages again.



9.3.2.3 Manually using the spindle

- To adjust the angle of the backrest, first loosen nuts (A) on the rigging screw using a spanner.
- Turn the metal tube to set the desired angle for the back.
- Retighten the nuts.



9.3.3 Adjusting the height of the backrest (Modulite seat unit)

The following section describes the procedures for adjusting the height of the backrest plate.



Note

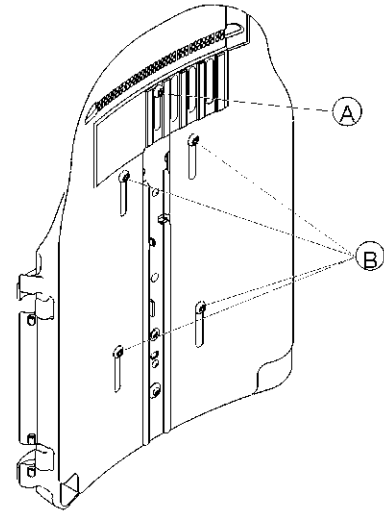
The sling back is only available in fixed heights of 48 and 54 cm.



Prerequisites:

- 1x 5 mm Allen key
-

- Loosen the backrest plate screws (A) and (B).
Do not remove the screws!
- Move the backrest plate to the required height.
- Re-tighten the screws.



9.3.4 Adjusting the width of the backrest (Modulite seat unit)

You can adjust the backrest plate width to a certain degree by adjusting the front plate, e.g. in order to adjust the backrest plate in line with the seat cushion. Fairly large adjustments must be made by a service technician to the rear plate and are outlined in the service instructions for this mobility device.



Note

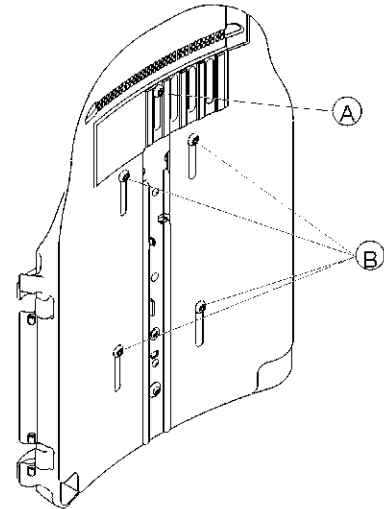
The sling back is only available in two widths of 38-43 cm and 48-53 cm and, under certain circumstances, must be replaced for a width adjustment. For a replacement description, see the service instructions for this mobility device. The service instructions can be ordered from Invacare®. However, they contain instructions for specially trained service technicians and describe operations that are not intended for the end user.

Please note that if the sling back width is adjusted the backrest cushion must also be replaced.

**Prerequisites:**

- 1x 5 mm Allen key
-

- Loosen and remove the backrest plate screw (A).
- Loosen the backrest plate screws (B).
Do not remove the screws!
- Move the backrest plate halves to the required width.
- Re-insert screw (A).
- Re-tighten the screws.



9.3.5 Adjusting the backrest angle (Modulite seat unit)



CAUTION Every change to the seat angle and every backrest angle change alters the geometry of the electric wheelchair and affects its dynamic stability

- *For more information on stability, overcoming obstacles correctly, driving along inclines and slopes and the correct position of the backrest and seat angles, see the section "Taking Obstacles" on page 42 and "Driving up and down gradients" on page 44.*
-

9.3.5.1 Electric

Your remote's user manual contains information on electrical adjustment.

9.3.5.2 Manual

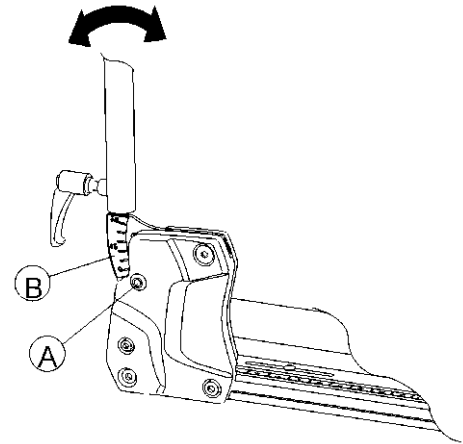
Width-adjustable backrest



Prerequisites:

- 1x 5 mm Allen key
-

- Loosen and remove the upper backrest screw (A) on both sides.
- Set the required backrest angle.
Use scale (B) on the backrest for this purpose.
Ensure that you set the same angle on both sides.
- Re-insert and tighten the screw.



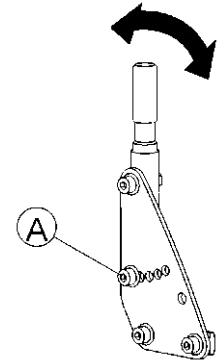


Simple backrest

Prerequisites:

- 1x 6 mm Allen key
-

- On both sides, loosen and remove the middle backrest screw (A).
- Set the required backrest angle in 7.5° steps.
Ensure that you set the same angle on both sides.
- Re-insert and tighten the screw.



9.3.6 Adjusting the tension adjustable backrest upholstery

- Remove the backrest cushion (attached with Velcro strips) by pulling it up and off to access the adjustment straps.



- Adjust the tension of the individual straps as desired.
- Replace the backrest cushion.



9.4 The Lifter

The electric lifter is operated from the remote. Please refer to the remote manual for more information.



Information regarding operation of the lifter at temperatures of less than 0 °C

Invacare® mobility aids are fitted with safety mechanisms that prevent capacity overload of the electronic components. At operating temperatures below freezing point this can, in particular, lead to the lifter actuator being shut down after approx. 1 second operating time.

The lifter can be raised or lowered gradually by repeatedly operating the joystick. In many cases this generates sufficient heat for the actuator to operate as normal.



Note - speed limiter

The lifter is fitted with sensors which reduce the mobility device speed as soon as the lifter is raised above a certain point.

This takes place to guarantee the tipping stability of the mobility device and to avoid damage to the legrests.

If the speed limit is activated, a corresponding blink code is displayed on the remote or a reduced drive level is set automatically. Please refer to the remote manual for more information.

To reapply normal speed, run the lifter down until the status display stops blinking.



CAUTION Risk of tipping, if the speed limiter sensors fail when the lifter is raised.

- *If you find that the speed reduction function is not working when the lifter is raised, do not drive with the lifter raised and immediately contact an authorized Invacare® dealer.*
-

9.4.1 Explanation of symbols on lifter warning sticker



Do not lean out when the lifter is raised!



Do not drive up or down slopes when the lifter is raised!



Do not allow any body parts to get under a raised seat!



Never drive with two people!



Never drive over uneven surfaces when the lifter is raised!

9.5 Adjusting the headrest



CAUTION: Injury hazard during use of the mobility aid as a vehicle seat if a headrest is wrongly adjusted or not installed! This can cause the neck to be hyperextended during collisions!

- *A headrest must be installed! The headrest optionally supplied for this mobility device by Invacare® is perfectly suitable for use during transport.*
- *The headrest must be adjusted to the user's ear height.*



9.5.1 Adjusting the position of the headrest or neckrest

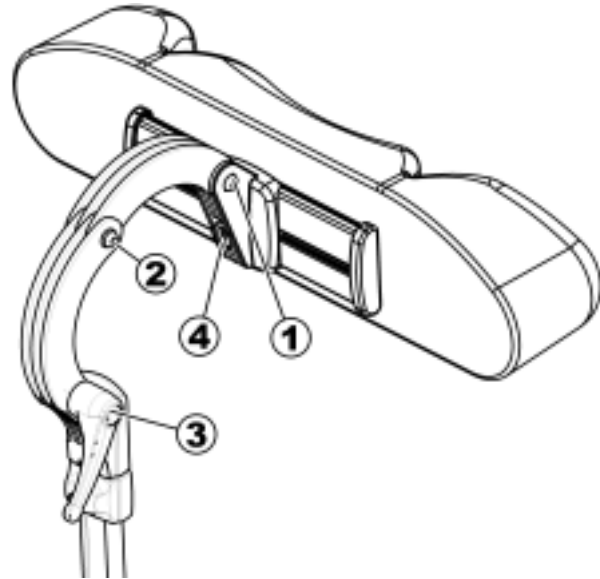
The adjustment of the position is the same for all headrests and neckrests.



Pre-requisites:

- Allen key 5 mm
-

- Loosen the screws (1, 2) or the clamping lever (3).
- Adjust the headrest or neckrest to the required position.
- Retighten screws and clamping lever.
- Loosen the Allen screw (4).
- Slide the headrest left or right to the required position.
- Retighten the Allen screw.



9.5.2 Adjusting the height of the headrest or neckrest

The adjustment of the height is the same for all headrests and neckrests.

- Loosen the thumb screw (1).
- Adjust the headrest or neckrest to the required height.
- Retighten thumb screw.



9.5.3 Adjusting the cheek supports

- Push the cheek supports inward or pull them out to the required position.



9.6 Postural belts

A postural belt is an option which can either be fixed to the wheelchair ex-works or can be retrofitted by your specialist dealer. If your wheelchair is fitted with a postural belt, your specialist dealer will have informed you about fitting and usage.

The postural belt is used to help the wheelchair user keep an optimum sitting position. Correct use of the belt assists the user in sitting securely, comfortably and well-positioned in the wheelchair, especially for such users who do not have such a good sense of balance while sitting.



NOTE:

We recommend using the postural belt whenever the wheelchair is used. The belt should be tight enough to ensure that you are sitting comfortably and that your body is in the correct sitting position.

9.6.1 Types of postural belts

Your wheelchair can be fitted with the following postural belt types ex-works. If your wheelchair has been fitted with a different belt to those listed below, please ensure that you have received the manufacturer's documentation with regard to correct fitting and use.

Belt with metal buckle, adjustable one side

Belt can only be adjusted on one side which can result in the buckle not sitting centrally.



Belt with metal buckle, adjustable both sides

Belt can be adjusted on both sides. This means that the buckle can be centrally positioned.



9.6.2 Adjusting the postural belt correctly

- Ensure that you are sitting correctly, which means that you are sitting right at the back of the seat, your pelvis is positioned erect and as symmetrically as possible, not to the front, to the side or at one edge of the seat.
- Position the postural belt so that your hipbones can be easily felt above the belt.
- Adjust the belt length using one of the adjustment aids described above. The belt should be adjusted so that you can fit a flat hand between the belt and your body.
- The buckle should be positioned as centrally as possible. In doing so, please carry out adjustments on both sides as much as possible.

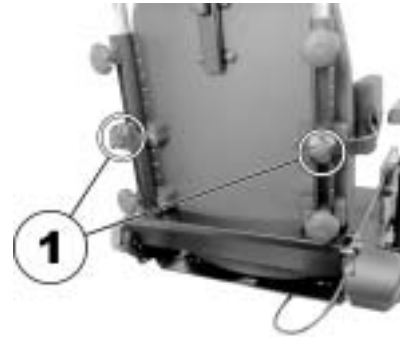
- Please check your belt every week to ensure that it is still in good working condition; to ensure it has no damage or wear, and that it is fixed properly to the wheelchair. If the belt is only fastened with a bolted connection, ensure that the connection has not loosened or undone. You can find more information about maintenance work on belts in the service manual, which is available from Invacare®.

9.7 Adjusting the lateral supports (Flex Seat)

The trunk supports can be adjusted in width, height and depth.

9.7.1 Adjusting the width

- Loosen the knobs (1) that hold the lateral supports.
- Adjust the supports to the desired width.
- Re-tighten the knobs.



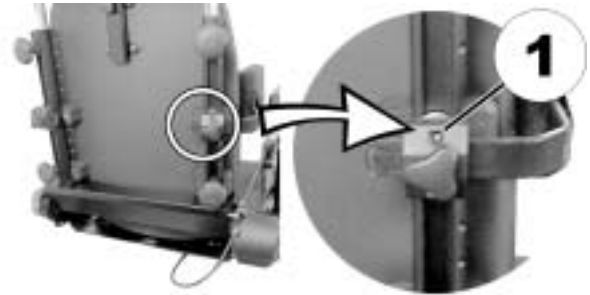
9.7.2 Adjusting the height



Requirements:

- Allen key 5 mm
-

- Loosen the screws (1) that allow height adjustment of the lateral supports.
- Adjust the supports to the desired height.
- Re-tighten the screws.



9.7.3 Adjusting the depth



Requirements:

- Allen key 5 mm
-

- Loosen the screws (1) that allows the support pads to slide forwards and backwards.
- Adjust the supports to the desired position.
- Re-tighten the screws.



9.8 Adjusting the height-adjustable push handle (Flex 2 seat)

- Loosen the knobs (1) that hold the push-handle.
- Adjust the handle to the desired height.
- Re-tighten the knobs.



9.9 Adjusting and removing the tray



CAUTION: Injury hazard or material damage if a power wheelchair which is fitted with a table is transported in a vehicle!

- *If a table is fitted, always remove it before transporting the wheelchair.*



9.9.1 Laterally adjusting the tray

- Loosen the wing-screw (1).
- Adjust the tray towards the left or right.
- Re-tighten wing-screw.



9.9.2 Adjusting the depth of the tray / removing the tray

- Loosen the wing-screw (1).
- Adjust the table to the desired depth (or remove it entirely).
- Re-tighten the screw.



9.9.3 Swinging the tray away to the side

The tray can be swivelled up and away to the side to allow the user to get in and out of the mobility device



CAUTION! Risk of injury! When the tray is raised it does not lock in place in this position!

- *Do not tilt the tray up and leave it leaning in this position.*
 - *Never attempt to drive with the tray tilted up.*
 - *Always lower the tray in a controlled manner.*
-

9.10 Adjusting or removing the luggage carrier



CAUTION! Risk of damage as a result of collisions! Parts of the electric wheelchair may be damaged if the luggage carrier collides with the seat during seat angle or backrest adjustment.

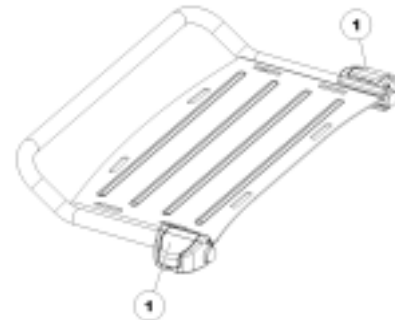
- *Ensure that the luggage carrier is out of the range of both seat angle and backrest adjustment.*
-



CAUTION! Risk of breakage due to excessive load! The luggage carrier can break if too great a load is applied.

- *The maximum permitted load on the luggage carrier is 10 kg.*
-

- Open the clamp levers (1) of the luggage carrier bracket.
- Slide the luggage carrier forward or backward or remove it.
- Close the clamp levers of the luggage carrier bracket.



9.11 Using the KLICKfix adapter

Your wheelchair can be fitted with the mini-adapter from the Rixen + Kaul KLICKfix system. To this you can attach various accessories such as the cellphone case supplied by Invacare, which you can use to transport your cellphone, sports glasses etc.



CAUTION! Risk posed by unsecured accessories! Accessories can fall off and get lost if they are not properly secured.

- *Check that the accessory is correctly locked in and seated securely every time you use the wheelchair.*
-



CAUTION! Risk of breakage due to excessive load! The KLICKfix adapter can break if too great a load is applied.

- *The maximum permitted load on the KLICKfix adapter is 1 kg.*
-

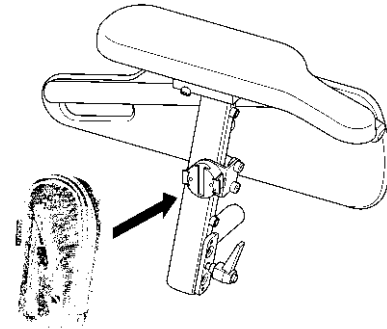
Securing the accessory:

- Push the accessory into the KLICKfix adapter.

The accessory locks in securely.

Removing the accessory:

- Press the red button and remove the accessory.



The adapter can turn in 90° steps, allowing you to attach an accessory from any of four different directions. Please refer to the installation instructions which are available from your Invacare® dealer or directly from Invacare®.

More information on the KCLICKfix system is available at <http://www.klickfix.com>.

10 Adjusting footrests and legrests

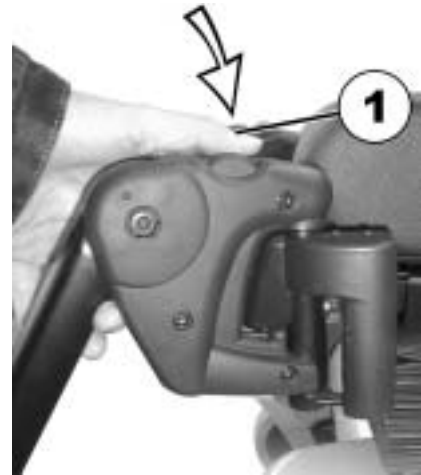
10.1 Legrests or footrests attached to the side

10.1.1 Vari-F footrest

10.1.1.1 Swivelling the footrest outward and/or removing

The small unlocking button is located on the upper section of the footrest. When the footrest is unlocked, it can be swivelled inward or outward when getting into the wheelchair as well as being removed completely.

- Press the unlocking button (1) and swivel the footrest outward.
- Remove the footrest in an upward direction.



10.1.1.2 Setting the angle



PLEASE NOTE: Danger of injury due to incorrect adjustment of the footrests and legrests.

- *Before and during every journey it is imperative to ensure that the legrests contact neither the castor wheels nor the ground!*
-



Pre-requisites:

- 1x 6 mm Allen key
-

- Loosen the screw (1) using the Allen key.
- If the footrest cannot be moved after loosening the screw, position a metal pin in the designated borehole (2) and use a hammer to knock on this lightly. The clamping mechanism in the interior of the footrest will be released by this. Repeat the procedure from the other side of the footrest if necessary.



- Loosen the screw (1) using the Allen key.
- Set the desired angle.
- Re-tighten the screw.



10.1.1.3 Setting the end stop of the footrest



Pre-requisites:

- 1x 6 mm Allen key
 - 1x 10 mm open-ended spanner
-

The end position of the footrest is determined by means of a rubber stop (1).



The rubber stop can be screwed in or out (A) or pushed up or down (B).



- Use the Allen key to loosen the screw (1) and swivel the footrest upward in order to access the rubber stop.



- Use the open-ended spanner to loosen the conternut (1).



- Move the rubber stop to the desired position
- Re-tighten the counternut



- Move the footrest to the desired position.
- Re-tighten the screw.



10.1.1.4 Adjusting the length of the footrest



PLEASE NOTE: Danger of injury due to incorrect adjustment of the footrests and legrests.

- *Before and during every journey it is imperative to ensure that the legrests contact neither the castor wheels nor the ground!*
-



Pre-requisites:

- 1x 5 mm Allen key
-

- Use the spanner to loosen the screw (1).
- Adjust to the desired length.
- Re-tighten the screw.



10.1.2 Vari-A legrests

10.1.2.1 Swivelling the legrest outward and/or removing

The small unlocking button is located on the upper section of the legrest. When the legrest is unlocked, it can be swivelled inward or outward when getting into wheelchair as well as being removed completely.

- Press the unlocking button (1) and swivel the legrest outward.
- Remove the legrest in an upward direction.



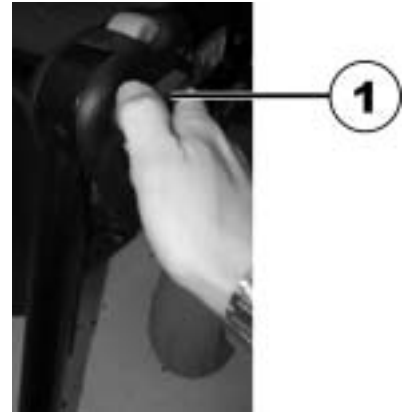
10.1.2.2 Setting the angle



PLEASE NOTE: Danger of injury due to incorrect adjustment of the footrests and legrests.

- *Before and during every journey it is imperative to ensure that the legrests contact neither the castor wheels nor the ground!*
-

- Loosen the locking knob (1) counter-clockwise at least one turn.



- Hit the knob to release the locking mechanism.



- Set the desired angle.



- Turn the knob clockwise to tighten it.



10.1.2.3 Setting the end stop of the legrest



Pre-requisites:

- 1x 10 mm open-ended spanner
-

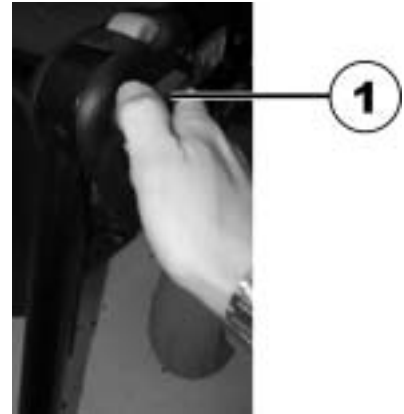
The end position of the legrest is determined by means of a rubber stop (A).



The rubber stop can be screwed in or out (A) or pushed up or down (B).



- Loosen the locking knob (1) counter-clockwise at least one turn.



- Hit the knob to release the locking mechanism.



- Swivel the legrest upward in order to access the rubber stop.



- Use the open-ended spanner to loosen the counternut (1).



- Move the rubber stop to the desired position
- Re-tighten the counternut



- Move the legrest to the desired position.
- Re-tighten the locking knob.



10.1.2.4 Adjusting the length of the legrest



PLEASE NOTE: Danger of injury due to incorrect adjustment of the footrests and legrests.

- *Before and during every journey it is imperative to ensure that the legrests contact neither the castor wheels nor the ground!*
-



Pre-requisites:

- 1x 6 mm Allen key
-

- Use the spanner to loosen the screw (1).
- Adjust to the desired length.
- Re-tighten the screw.



10.1.2.5 Adjusting the depth of the calf plate

The depth of the calf plate can be adjusted via the holding plate. The holding plate hole combinations allow 5 different depth settings.



Pre-requisites:

- 1x 10 mm open-ended spanner
-
- Use the open-ended wrench to loosen the nut (1) and remove.
 - Adjust to the desired depth. Please observe that the round holes are intended for the calf plate retaining screw and the oblong holes for the aglet without thread.
 - Screw the nut back on and tighten.



10.1.2.6 Adjusting the height of the calf pad



Pre-requisites:

- 1x 4 mm Allen key
-

- Use the Allen key to loosen the screws (1).
- Adjust to the desired position.
- Re-tighten the screws.



10.1.2.7 Unlocking and swivelling the calf plate backward when alighting

- Press the calf plate straight down.



- Unlock the legrest and swivel outward. The calf plate swivels backward on its own.



- Lift leg over the heel strap and place on the ground.



10.1.2.8 Adjusting the angle adjustable foot plate



Pre-requisites:

- 1x 5 mm Allen key
-

- Use the Allen key to loosen both set screws on the foot plate.
- Adjust to the desired angle.
- Re-tighten the screws.



10.1.2.9 Adjusting the angle and depth adjustable foot plate



Pre-requisites:

- 1x 5 mm Allen key
-
- Use the Allen key to loosen the set screw on the foot plate (1).
 - Adjust the foot plate to the desired angle or depth.
 - Re-tighten the screw.



10.1.3 ADE legrests

10.1.3.1 Swivelling the legrest outward and/or removing

The small unlocking button is located on the upper section of the legrest. When the legrest is unlocked, it can be swivelled inward or outward when getting into wheelchair as well as being removed completely.

- Press the unlocking button (1) and swivel the legrest outward.
- Remove the legrest in an upward direction.



10.1.3.2 Setting the angle



PLEASE NOTE: Danger of crushing!

- *Do not reach inside the swivelling range of the legrest!*
-



PLEASE NOTE: Danger of injury due to incorrect adjustment of the footrests and legrests.

- *Before and during every journey it is imperative to ensure that the legrests contact neither the castor wheels nor the ground!*
-

The electrically height-adjustable legrests are operated using the remote. Please see the separate operating manual for your remote for more information.

10.1.3.3 Adjusting the length of the legrest



PLEASE NOTE: Danger of injury due to incorrect adjustment of the footrests and legrests.

- *Before and during every journey it is imperative to ensure that the legrests contact neither the castor wheels nor the ground!*
-



Pre-requisites:

- 1x 10 mm open-ended spanner
-

- Use the spanner to loosen the screw (1).
- Adjust to the desired length.
- Re-tighten the screw.



10.1.3.4 Adjusting the depth of the calf plate

The depth of the calf plate can be adjusted via the holding plate. The holding plate hole combinations allow 5 different depth settings.



Pre-requisites:

- 1x 10 mm open-ended spanner
-
- Use the open-ended wrench to loosen the nut (1) and remove.
 - Adjust to the desired depth. Please observe that the round holes are intended for the calf plate retaining screw and the oblong holes for the aglet without thread.
 - Screw the nut back on and tighten.



10.1.3.5 Adjusting the height of the calf pad



Pre-requisites:

- 1x 4 mm Allen key
-
- Use the Allen key to loosen the screws (1).
 - Adjust to the desired position.
 - Re-tighten the screws.



10.1.3.6 Unlocking and swivelling the calf plate backward when alighting

- Press the calf plate straight down.



- Unlock the legrest and swivel outward. The calf plate swivels backward on its own.



- Lift leg over the heel strap and place on the ground.



10.1.3.7 Adjusting the angle adjustable foot plate



Pre-requisites:

- 1x 5 mm Allen key
-

- Use the Allen key to loosen both set screws on the foot plate.
- Adjust to the desired angle.
- Re-tighten the screws.



10.1.3.8 Adjusting the angle and depth adjustable foot plate



Pre-requisites:

- 1x 5 mm Allen key
-
- Use the Allen key to loosen the set screw on the foot plate (1).
 - Adjust the foot plate to the desired angle or depth.
 - Re-tighten the screw.



10.1.4 Standard 80° footrest

10.1.4.1 Swivel the footrests outwards and/or remove them

The small release lever is to be found in the upper part of the legrest (1). When the legrest is released it can be swivelled inward or outward to facilitate access and also be removed completely.



- Push the release lever inward or outward. The legrest is released.
- Swivel the legrest inward or outward.
- To remove the legrest simply pull upward.



10.1.4.2 Adjusting the length



Pre-requisites:

- 1x 5 mm hexagon socket spanner
-
- Loosen the screw (1) using the Allen key, but do not remove completely.
 - Set the legrest to the desired length.
 - Re-tighten the screw.

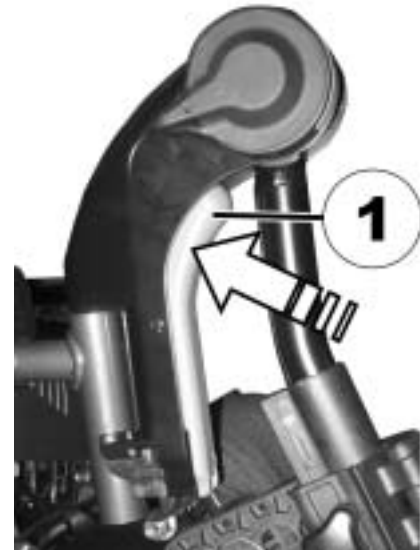


10.1.5 Manually height-adjustable legrest

10.1.5.1 Swivelling the legrest outward and/or removing

The unlocking knob is located on the top section of the legrests. When the legrest is unlocked, it can be swivelled to the inside or outside to facilitate getting in, or can be completely removed.

- Press the unlocking knob (1) and remove the legrests upwards.



10.1.5.2 Setting the angle



PLEASE NOTE: Danger of crushing!

- *Do not reach inside the swivelling range of the legrest!*
-



PLEASE NOTE: Danger of injury due to incorrect adjustment of the footrests and legrests.

- *Before and during every journey it is imperative to ensure that the legrests contact neither the castor wheels nor the ground!*
-

- Press the unlocking lever (1) down. Adjust the legrest to the required angle.
- Release the unlocking lever. The legrest engages.



10.1.5.3 Adjusting the length of the legrest



PLEASE NOTE: Danger of injury due to incorrect adjustment of the footrests and legrests.

- *Before and during every journey it is imperative to ensure that the legrests contact neither the castor wheels nor the ground!*
-



Pre-requisites:

- 1x 5 mm hexagon socket spanner
-

- Loosen bolt (1) with the Allen key.
- Adjust to required length.
- Retighten the screw.



10.1.5.4 Adjusting the depth of the calf plate

The calf support has four depth settings.



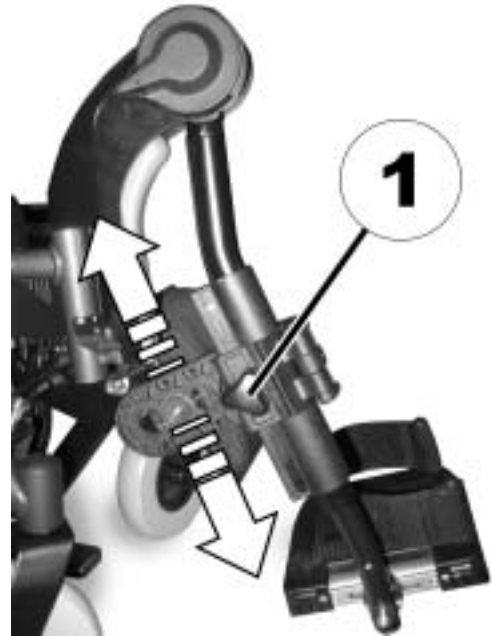
Pre-requisites:

- 1x 4 mm Allen key
-
- Swivel the calf support to the front.
 - Release bolt (1) with the Allen key and remove.
 - Set the nut on the other side to the required depth.
 - Adjust the calf support to match the depth of the nut, put the screw back in and tighten.



10.1.5.5 Adjusting the height of the calf pad

- Loosen the hand screw (1).
- Adjust to required position.
- Retighten the wing nuts.



10.1.6 Adjusting the width of the legrests fixed to the side (Standard / Flex 2 seat / Modulite seat)



Requirements:

- Jaw spanner 13 mm (standard seat and Modulite seat)
 - Jaw spanner 10 mm (Flex 2 seat)
-

The screws that allow width adjustment of side-mounted legrests are located under the seat (1).

- Loosen the screws using the open-end spanner.
- Adjust the legrest to the desired position.
- Re-tighten the screws.



11 Electrical system

11.1 Electronics protection system

The vehicle drive electronics is fitted with an overload protection.

If the drive is severely overloaded over a long period (e.g. during steep climbs) and, above all, at simultaneous high external temperatures, the electronic system can overheat. In this case, the vehicle performance is gradually reduced until it comes to a standstill. The status display shows a corresponding blink code (please refer to the user manual for your remote). If you switch the drive electronics off and then on again, the error message is deleted and the electronics can be switched on again. It can however take up to five minutes until the electronics has cooled down enough for the drives to apply their full performance.

If the drive is blocked due to an insurmountable obstacle, for example a kerb or similar which is too high, and the driver attempts to run the drive for more than 20 seconds against this obstacle, the electronic system switches the drives off to avoid damage. The status display shows a corresponding flash code (please refer to the user manual for your remote). If you switch the drive electronics off and then on again, the error message is deleted and the electronics can be switched on again.



NOTE

A defective main fuse may be replaced only after checking the entire electric system. An Invacare® specialised dealer must perform the replacement. You can find information on the fuse type in chapter "**Technical specifications**" starting on page **165**.

11.2 Batteries

Power is supplied by two 12 V batteries. The batteries are maintenance-free and only need regular charging.

In the following, you find information on how to charge, handle, transport, store, maintain, and use batteries.

11.2.1 Charging the batteries

11.2.1.1 General information on charging

New batteries should always be fully charged once before their first use. New batteries will be at their full capacity after having run through approx. 10 - 20 charging cycles (break-in period). This break-in period is necessary to fully activate the battery for maximum performance and longevity. Thus, range and running time of your mobility device could initially increase with use.

Gel/AGM lead acid batteries do not have a memory effect as NiCd batteries.

11.2.1.2 General instructions on charging

Follow the instructions listed below to ensure safe use and longevity of the batteries:

- Charge 12 hours prior to initial usage.
- We recommend charging the batteries daily after every discharge even after partly discharge, as well as each night over night. Depending on the level of discharge, it can take up to 12 hours until the batteries are fully charged again.
- When the battery indicator reached the red LED range, charge the batteries for 16 hours minimum, neglecting the charge complete display!
- Try to provide a 24 hour charge once a week to make sure that both batteries are fully charged.
- Do not cycle your batteries at a low state of charge without regularly recharging them fully.
- Do not charge your batteries under extreme temperatures. High temperatures above 30 °C are not recommended for charging as well as low temperatures below 10 °C.

- Use only charging devices in Class 2. This class of chargers may be left unattended during charging. All charging devices which are supplied by Invacare® comply with these requirements.
- You cannot overcharge the batteries when using the charger supplied with your vehicle, or a charger that has been approved by Invacare®.
- Protect your charger from sources of heat such as heaters and direct sunlight. If the battery charger overheats, charging current will be reduced and the charging process delayed.

11.2.1.3 How to charge the batteries

Please see the instruction manuals for your remote and battery charger for the position of the charging socket and further information about charging the batteries.



WARNING!**Risk of explosion and destruction of batteries if the wrong battery charger is used!**

- *Only ever use the battery charger supplied with your vehicle, or a charger that has been approved by Invacare®.*

Risk of electric shock and damage to the battery charger if it gets wet!

- *Protect the battery charger from water.*
- *Always charge in a dry environment.*

Risk of short circuit and electric shock if the battery charger has been damaged!

- *Do not use the battery charger if it has been dropped or damaged.*

Risk of electric shock and damage to the batteries!

- *NEVER attempt to recharge the batteries by attaching cables directly to the battery terminals.*

Risk of fire and electric shock if a damaged extension cable is used!

- *Only ever use an extension cable if it is absolutely necessary. In case you must use one, make sure it is in good condition.*

Risk of injury if using the wheelchair during charging!

- *DO NOT attempt to recharge the batteries and operate the wheelchair at the same time.*
 - *DO NOT sit in the wheelchair while charging the batteries.*
-

- Switch off the mobility device.
- Connect the battery charger to the charger socket.
- Connect the battery charger to the power supply.

11.2.1.4 How to disconnect the batteries after charging

- Once charging is complete, first disconnect the battery charger from the power supply, then disconnect the plug from the remote.

11.2.2 Storage and Maintenance

Follow the instructions listed below to ensure safe use and longevity of the batteries:

- Always store the batteries fully charged.
- Do not leave the batteries in a low state of charge for an extended length of time. Charge a discharged battery as soon as possible.
- In case your mobility device is not used for a longer period of time (that is more than two weeks), the batteries must be charged at least once a month to maintain a full charge and always be charged before use.
- Avoid hot and cold extremes when storing. We recommend to store batteries at a temperature of 15 °C.
- Gel and AGM batteries are maintenance-free. Any performance issues should be handled by a properly trained mobility device technician.

11.2.3 Instructions on using the batteries



CAUTION! Risk of damaging the batteries.

- *Avoid ultra-deep discharges and never drain your batteries completely.*
-

- Pay attention to the Battery Charge Indicator! Charge the batteries when the Battery Charge Indicator shows that battery charge is low.

How fast the batteries discharge depends on many circumstances, such as ambient temperature, condition of the surface of the road, tyre pressure, weight of the driver, way of driving and utilisation of lighting.

- Try to charge the batteries always before you reach the red LED range.

The last 3 LED (two red and one orange) mean a remaining capacity of about 15 %.

- Driving with blinking red LED's means an extreme stress for the battery and should be avoided under normal circumstances.
- When only one red LED is blinking, the Battery Safe feature is enabled. From this time, speed and acceleration is reduced drastically. It will allow you to move the mobility device slowly out of a dangerous situation before the electronic finally cuts off. This is deep discharging and should be avoided.
- Be aware that for temperatures below 20 °C, the nominal battery capacity starts to decline. For example, at -10 °C the capacity is reduced to about 50 % of the nominal battery capacity.
- To avoid damaging the batteries, never allow them to be fully discharged. Do not drive on heavily discharged batteries if it is not absolutely necessary, as this will strain the batteries unduly and shorten their life expectancy.
- The earlier you recharge the batteries, the longer they live.
- The depth of discharge affects the cycle life. The harder a battery has to work, the shorter is its life expectancy.

Examples:

- One deep discharge stresses the same as 6 normal cycles (green /orange display off).
- The battery life is about 300 cycles at 80% discharge (first 7 LED off), or about 3000 cycles at 10% discharge (one LED off).



NOTE:

The number of LED can vary depending on the remote type.

- Under normal operation, once a month the battery should be discharged until all green and orange LED are off. This should be done within one day. A 16 hour charge afterwards is necessary as reconditioning.

11.2.4 Transporting batteries

The batteries supplied with your electric vehicle are not hazardous goods. This classification is based on the German GGVS Hazardous Goods Road Transport Ordinances, and the IATA/DGR Hazardous Goods Rail Transport / Air Transport Ordinances. Batteries may be transported without restrictions, whether by road, rail or by air. Individual transport companies have, however, guidelines which can possibly restrict or forbid certain transport procedures. Please ask the transport company regarding each individual case.

11.2.5 Handling batteries

11.2.5.1 General instructions on handling the batteries

- Never mix and match different battery manufactures or technologies, or use batteries that do not have similar date codes.
- Never mix gel with AGM batteries.
- Always have your batteries installed by a properly trained mobility device technician. They have the necessary training and tools to do the job safely and correctly.

11.2.5.2 How to handle damaged batteries correctly



WARNING:**Corrosion and burns from acid leakage if batteries are damaged!**

- *Remove clothes that have been soiled by acid immediately.*

After contact with skin:

- *Immediately wash affected area with lots of water.*

After contact with eyes:

- *Immediately rinse eyes under running water for several minutes; consult a physician.*
-

- Always wear safety goggles and appropriate safety clothing when handling damaged batteries.
- Place damaged batteries in an acid-resistant receptacle immediately after removing them.
- Only ever transport damaged batteries in an appropriate acid-resistant receptacle.
- Wash all objects that have come into contact with acid with lots of water.

Disposing of dead or damaged batteries correctly

Dead or damaged batteries can be given back to your dealer or directly to Invacare®.

12 Maintenance

The term „Maintenance“ means any task performed to ensure that a medical device is in good working order and ready for use as intended. Maintenance encompasses different areas, such as everyday care and cleaning, inspection checks, repair tasks and refurbishment.



NOTE:

Have your vehicle checked once a year by an authorised Invacare® dealer in order to maintain it's driving safety and roadworthiness.

12.1 Cleaning the mobility device

When cleaning the mobility device, pay attention to the following points:

- Only use a damp cloth and gentle detergent.
- Do not use any abrasive or scouring agents.
- Do not subject the electronic components to any direct contact with water.
- Do not use any high-pressure cleaning devices.

Disinfection

Spray or wipe disinfection using a tested and recognised product is permitted. A list of the current permitted disinfectants is available from the Robert Koch Institute at <http://www.rki.de>.

12.2 Inspection checks

The following table lists inspection checks that should be performed by the user and their intervals. If the mobility device fails to pass one of the inspection checks, please refer to the chapter indicated or contact your authorised Invacare® dealer. A more comprehensive list of inspection checks and instructions for maintenance work can be found in the Service Manual for this device, which can be obtained from Invacare®. That Manual, however, is intended to be used by trained and authorised service technicians, and describes tasks which are not intended to be performed by the user.

12.2.1 Before each use of the mobility device

Item	Inspection check	Action
Signal horn	<ul style="list-style-type: none">• Check for correction function.	<ul style="list-style-type: none">• Contact your dealer.
Lighting system	<ul style="list-style-type: none">• Check that all lights, such as turn indicators, headlamps and tail lights, are functioning correctly.	<ul style="list-style-type: none">• Contact your dealer.
Batteries	<ul style="list-style-type: none">• Make sure the batteries are charged. See the User Manual provided with your remote for a description of the Battery Charge Indicator.	<ul style="list-style-type: none">• Charge the batteries (see chapter "Charging the batteries" on page 130).

12.2.2 Weekly

Item	Inspection check	Action
Armrests /side parts	<ul style="list-style-type: none"> • Check that armrests are firmly attached in their holders and do not wobble. 	<ul style="list-style-type: none"> • Tighten the screw or clamping lever that holds the armrest (see chapter "Adjusting the armrests and the " on page 48). • Contact your dealer.
Tyres (pneumatic)	<ul style="list-style-type: none"> • Check that the tyres are undamaged. 	<ul style="list-style-type: none"> • Contact your dealer.
	<ul style="list-style-type: none"> • Check that the tyres are inflated to the correct pressure. 	<ul style="list-style-type: none"> • Inflate the tyre to the correct pressure (see chapter "Technical specifications" on page 165). • Repair the inner tube if you have a flat tyre (see chapter "Repair Instructions" on page 141) or contact your dealer to have it repaired.
Tyres (puncture-proof)	<ul style="list-style-type: none"> • Check that the tyres are undamaged. 	<ul style="list-style-type: none"> • Contact your dealer.

12.2.3 Monthly

Item	Inspection check	Action
All upholstered parts	<ul style="list-style-type: none"> • Check for damage and wear. 	<ul style="list-style-type: none"> • Contact your dealer.
Removable legrests	<ul style="list-style-type: none"> • Check whether the legrests can be fixed securely and whether the loosening mechanism is properly operable (see chapter "Adjusting footrests and legrests" on page 90). 	<ul style="list-style-type: none"> • Contact your dealer.
	<ul style="list-style-type: none"> • Check that all adjustment options function properly (see chapter "Adjusting footrests and legrests" on page 90). 	<ul style="list-style-type: none"> • Contact your dealer.
Castors	<ul style="list-style-type: none"> • Check that castors rotate and swivel freely. 	<ul style="list-style-type: none"> • Contact your dealer.
Drive wheels	<ul style="list-style-type: none"> • Check that the drive wheels rotate without wobbling. It is easiest to have someone stand behind the mobility device and observe the drive wheels as you drive away from them to do this. 	<ul style="list-style-type: none"> • Contact your dealer.
Electronics and connectors	<ul style="list-style-type: none"> • Check all cables for damage and all connecting plugs for snug fit. 	<ul style="list-style-type: none"> • Contact your dealer.

12.3 Repair Instructions



Important information about maintenance work tools!

Some maintenance work which is described in this manual and can be carried out by the user without problems require the correct tools for proper work. If you do not have the correct tool available we do not recommend that you try to carry out the relevant work. In this case, we urgently recommend that you contact an authorised specialist workshop.

The following are instructions on maintenance and repairs that can be performed by the user. For the specifications of spare parts please see "**Technical specifications**" on page **165**, or consult the Service Manual, available from Invacare® (in this connection please see the addresses and phone numbers in section "**How can you get in touch with Invacare®?**" on page **3**). In case you require assistance, please contact your Invacare® Dealer.

12.3.1 Repairing a flat tyre



WARNING: Danger of damage or injury if the vehicle is accidentally set into motion during repairs!

- *Switch the power off (ON/OFF Button)!*
 - *Engage the motors!*
 - *Secure the vehicle against rolling away by placing wedges under the wheels!*
-

12.3.1.1 Repairing a flat tyre (front)

(Kite, Storm 4)

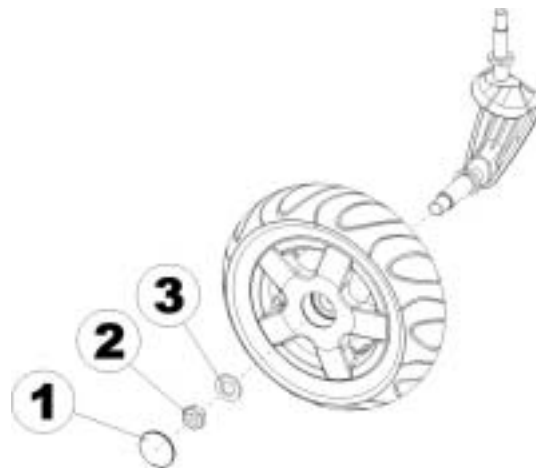


Requirements:

- Allen key 5 mm
 - Open-end spanner 24 mm
 - Repair kit for inner tubes **or** a new inner tube.
 - Talcum powder
-

Remove the wheel

- Jack the vehicle up and place a block of wood underneath it to prop it up.
- Remove the plastic cap (1).
- Loosen and remove the nut (2) using the open-end spanner.
- Remove the washer (3).
- Take the wheel off of the fork assembly.



NOTE

Re-assembly is done in reverse order. Make sure that the wheel is put back on the same side it was on, and that it runs in the same direction it did before it was removed.

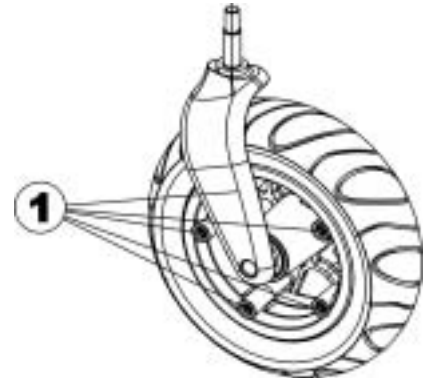
Repair the flat tyre



EXPLOSION HAZARD!

The wheel explodes if the air is not left out before dismantling!

- *It is imperative that you let the air out of the tyre before dismantling it (press the pin in the middle of the valve downwards)!*
-
- Remove the valve cap.
 - Let the air out of the tyre completely by pressing the pin in the centre of the valve in.
 - Remove the 5 Allen screws (1)
 - Take the tyre and the inner tube off of the rim halves.
 - Repair the inner tube and re-fit, or replace it with a new one.



NOTE

In case the old inner tube is to be repaired and used again, and it happens to get wet during repair, then it is easier to re-fit it if you powder it lightly with talcum powder.

- Place the rim halves in the tyre from the outside.
- Pump up the tyre a little.
- Re-position the Allen screws in the rim and tighten them firmly. Make sure the inner tube does not get pinched between the rims halves!
- Check to make sure that the tyre is squarely in place on the rim.
- Pump up the tyre to the recommended tyre pressure.
- Check to make sure that the tyre is still squarely and snugly in place on the rim.
- Screw the valve cap back on.
- Refit the wheel.

12.3.2 Repairing a flat tyre at the front (tyre type 280/250-4)



Requirements:

- Allen key 5 mm
 - Open-end spanner 13 mm
 - Repair kit for inner tube tyres **or** a new inner tube
 - Talcum powder
-

Removing the wheel

- Jack up the mobility device (place a wooden wedge under the frame).
- Loosen and remove the screw (1) using the Allen key on one side and the open-ended spanner on the other side (for counteracting).
- Pull the wheel from the fork



NOTE

Installation is carried out in reverse order. Please ensure that the wheel is re-fitted on the same side and in the same running direction as removed.

Repairing a flat tyre

- Remove the valve cap.
- Exhaust the air from the tyre by pressing the spring pin in the valve.
- Loosen and remove the 5 Allen screws (1).
- Remove the tyre with the inner tube from the rim halves.
- Repair the tube and re-fit or fit new tube



NOTE

If the old tube is to be repaired and re-fitted and has become wet during repair work, powdering the hose with some talcum powder can simplify the fitting procedure.

- Re-insert the rim halves into the tyre from the outside.
- Inflate the tyre a little.
- Re-position the Allen screws and screw rim together tightly. Make sure the inner tube does not get pinched between the rims halves!
- Check the exact fit of the tyre.
- Inflate the tyre to the prescribed air pressure.
- Re-check the exact fit of the tyre.
- Screw on the valve cap.
- Refit the wheel.

12.3.2.1 Repairing tyre punctures (wheel rim type 3.00-8")



Injury hazard! If the wheel has been insufficiently tightened during assembly, it can become loosened during driving!

- *When reassembling the drive wheels, tighten the Allen screws at a torque of 30 Nm!*
- *Secure all screws using a suitable blocker (e.g. Loctite 243)!*



Requirements:

- Allen key – open-ended spanner 6 mm
- Torque wrench
- Repair kit for tyre repair **or** a new inner tube
- Talcum powder
- Screw blocker Loctite (e.g. Loctite 243)

Removing the wheel

- Block up the vehicle (place wooden blocks under frame).
- Unscrew the screw (1).
- Remove the wheel from the hub.





NOTE

Re-assembly is done in reverse order. Ensure that the tyre is replaced on the same side and in the same travel direction as it was previously mounted.

Repairing the flat tyre

**EXPLOSION HAZARD!**

The wheel will explode if you do not let the air out of the tyre before removing the wheel!

- *Always let the air out of the tyre before removing it (press in the pin in the middle of the valve)!*
-

- Unscrew valve cap.
- Depressurise tyre completely by pressing in the pin in the valve .
- Remove the 5 cylinder head screws (back of the wheel, 2).
- Remove the rim halves from the tyre.
- Remove the inner tube from the tyre.
- Repair inner tube and replace, or insert new.

**NOTE**

If the old inner tube is to be repaired and re-used, and has become wet during repair, you can make replacement easier by sprinkling the inner tube with a little talcum powder.

- Insert the wheel rim halves from outside into the tyre.
- Pump a little air into the inner tube.
- Reinsert the cylinder head screws and tighten to 10 Nm. Avoid crushing the inner tube!
- Ensure that the tyre outer is seated correctly.
- Pump the tyre up to the prescribed pressure.
- Ensure that the tyre outer is seated correctly again.
- Screw the valve cap back on.
- Refit the wheel.

13 Transport



CAUTION: Injury hazard or material damage if a power wheelchair which is fitted with a table is transported in a vehicle!

- *If a table is fitted, always remove it before transporting the wheelchair.*



CAUTION: Danger of death or serious injury to the mobility device user and potentially any other nearby occupant of the vehicle, if a mobility device is secured using a 4-point tie-down system available from a third party supplier and the unladen weight of the mobility device exceeds the maximum weight for which the tie-down system is certified!

- *Make sure the weight of the mobility device does not exceed the weight for which the tie-down system is certified. Consult the tie-down manufacturer's documentation.*
- *If you are unsure how much your mobility device weighs, then you must have it weighed using calibrated scales.*

13.1 Transferring the wheelchair to a vehicle



WARNING: The wheelchair is in danger of tipping over if it is transferred to a vehicle while the driver is still seated in the wheelchair!

- *Transfer the wheelchair without the driver whenever possible!*
 - *If the wheelchair with the driver has to be transferred to a vehicle using a ramp, ensure that the ramp does not exceed the maximum safe slope (see chapter "**Technical specifications**" starting on page **165**)!*
 - *If the wheelchair has to be transferred to a vehicle using a ramp that does exceed the maximum safe slope (see chapter "**Technical specifications**" starting on page **165**), a winch must then be used! An attendant can then safely monitor and assist the transfer process!*
 - *Alternatively, a platform lift may be used!*
 - *Ensure that the total weight of the power wheelchair including the user does not exceed the maximum permitted total weight for the ramp or platform lift!*
 - *The wheelchair should always be transferred to a vehicle with the backrest in an upright position, the seat lifter lowered and the seat tilt in the upright position (see chapter "**Driving up and down gradients**" on page **44**)!*
-
- Drive or push your wheelchair into the transport vehicle using a suitable ramp.

13.2 Use of the wheelchair as a seat in a vehicle



Please note

In order to use a wheelchair as a motor vehicle seat, it needs to be equipped with attachment points to enable anchoring in the motor vehicle. These accessories may be included in the standard scope of wheelchair order and delivery in some countries (UK for example), but may also be obtained from Invacare® as an option in other countries.

This power wheelchair complies with the requirements of ISO 7176-19:2001 and may be used as a vehicle seat in connection with an anchoring system that has been checked and approved in accordance with ISO 10542. The wheelchair has undergone a crash test in which it was anchored in the transporting vehicle's direction of travel. Other configurations were not tested. The crash test dummy was secured using pelvic and upper body safety belts. Both types of safety belt should be used in order to minimise the risk of injuries to head or upper body. It is imperative that the wheelchair is inspected by an authorised dealer before being used again after being involved in a crash. Alterations to the wheelchair anchoring points may not be carried out without the manufacturer's permission.



CAUTION: There is an injury hazard if a backrest which is not suitable for the transportation of passengers is used!

- *Angle-adjustable backrests which are manually adjusted using a self-arresting quick-disconnect are NOT approved for the transportation of passengers!*
-



Caution: There is a danger of injury if the wheelchair is not properly secured during use as a vehicle seat!

- *If possible, the user should always leave the wheelchair to use a vehicle seat and the safety belts provided with the vehicle.*
 - *The wheelchair should always be anchored facing in the transport vehicle's intended direction of travel.*
 - *The wheelchair must always be secured in accordance with the wheelchair and anchoring system manufacturers' operating manual.*
 - *Always remove and secure any accessory parts fixed to the wheelchair such as chin controls or tables.*
 - *If your wheelchair is equipped with an angle adjustable backrest, then it must be placed in an upright position.*
 - *Fully lower elevated legrests, if fitted.*
 - *Fully lower the seat lifter, if fitted.*
-



WARNING: Danger of injury exists if a power wheelchair that is not equipped with leak-proof batteries is transported in a vehicle!

- *Only ever use leak-proof batteries!*
-



WARNING: Danger of injury or damage to the wheelchair or to the transporting vehicle, if the legrests are in a raised position while the wheelchair is used as a vehicle seat!

- *Always completely lower height-adjustable legrests, if fitted.*
-

13.2.1 How the wheelchair is anchored in a vehicle for use as a vehicle seat

The power wheelchair is fitted with four anchoring points, which are labelled with the symbol shown on the right. Snap hooks or belt loops can be used for fixation.



- Secure the wheelchair at the front (1) and at the rear (2) with the anchoring system belts.
- Secure the wheelchair by tensioning the belts in accordance with the manufacturer's anchoring system operating manual.

Front



Rear (only left-hand side visible in picture)



13.2.2 How the user is secured within the wheelchair



CAUTION: There is a danger of injury if the user is not properly secured within the wheelchair!

- *Even if the wheelchair is fitted with a postural belt, this is no substitute for a proper safety belt which complies with ISO 10542 in the transport vehicle. Always use the safety belt installed in the transport vehicle.*
 - *Safety belts must be in contact with the user's body. They must not be held at a distance from the user's body using parts of the wheelchair such as armrests or wheels. Refer to the illustration on page 157.*
 - *Safety belts must be pulled as tightly as possible without causing the user discomfort. Refer to the illustration on page 157.*
 - *Safety belts must not be positioned while twisted.*
 - *Ensure that the third seatbelt anchorage point is not fixed directly to the vehicle floor, but to one of the vehicle uprights.*
-



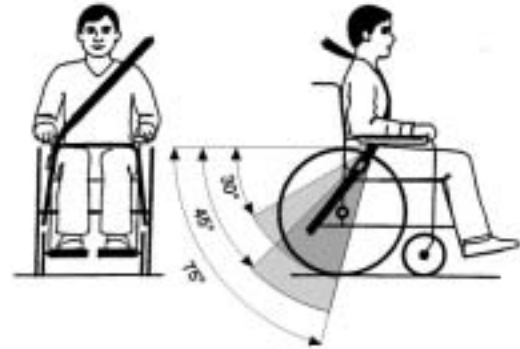
CAUTION: Injury hazard during use of the mobility aid as a vehicle seat if a headrest is wrongly adjusted or not installed! This can cause the neck to be hyperextended during collisions!

- *A headrest must be installed! The headrest optionally supplied for this mobility device by Invacare® is perfectly suitable for use during transport.*
- *The headrest must be adjusted to the user's ear height.*





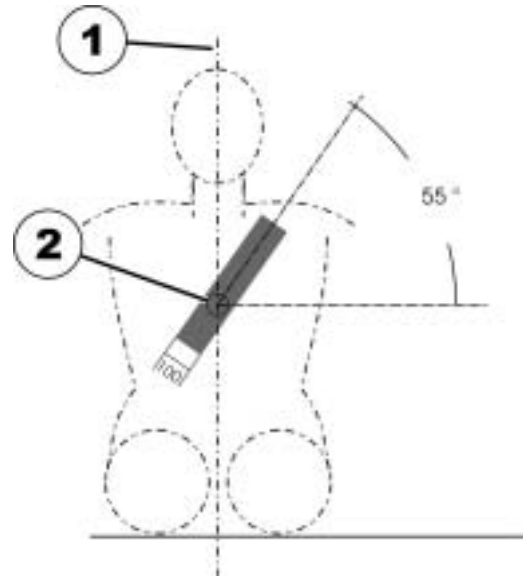
Seat belts may not be held at a distance from the user's body using parts of the wheelchair such as armrests or wheels.



The pelvic belt should be positioned in the area between the user's pelvis and thighs so that it is unobstructed and not too loose. The ideal angle of the pelvic belt to the horizontal is between 45° and 75°. The maximum permissible angle is between 30° and 75°. The angle should never be less than 30°!

The safety belt installed in the transporting vehicle should be applied as shown in the illustration at right.

- 1) Centre line of the body
- 2) Centre of the sternum



13.3 Transporting the wheelchair without occupants



CAUTION: Injury hazard!

- *If you are unable to fasten your electric wheelchair securely in a transport vehicle, Invacare® recommends that you do not transport it!*
-

- Before transporting your wheelchair, make sure the motors are engaged and that the Joystick Box is switched off.

Invacare® strongly recommends that you additionally disconnect or remove the batteries. See "Removing/Installing the batteries" on page 160.

- Invacare® strongly recommends securing the wheelchair to the floor of the transporting vehicle.

13.3.1 Opening the rear cover



Removing the rear cover:

- Loosen and remove the left and right thumbscrews (1) on the rear cover (2).
- Pull the rear cover backwards and off.

Installing the rear cover:

- Push the rear cover over the battery box from the back. Pay attention to the electrical cables while doing so.
- Tighten both thumbscrews hand-tight.

13.3.2 Removing/Installing the batteries



WARNING!

Fire and burn hazard due to short circuit at battery poles!

- *DO NOT short-circuit the battery poles with a tool or metal parts of the wheelchair!*
 - *Make sure that the battery pole caps are attached at all times when you are not working on the battery poles.*
-



DANGER: Risk of crushing!

The batteries are very heavy. There is a risk of hand injury.

- *Be aware that the batteries are very heavy.*
 - *Handle the batteries with care.*
-



Requirements:

- 11 mm socket wrench
-

Uninstalling the batteries:

- Remove the rear cover, as described in chapter "Opening the rear cover" on page 159.



- Disconnect the battery cable from the electronic module.



- Loosen and remove both of the knurled head screws (4).
- Loosen and remove the knurled head screws (2).

- Turn the rear cover (1) down along with the electronic modules.
- Pull foam rubber block (3) backwards out of the battery box.



- Pull the rubber caps (2) off of both battery terminals (1).
- Use the 11 mm socket wrench to loosen and remove the battery terminal screws.
- Remove the battery cable.
- Pull the battery (3) out onto the rear cover by its belt (4).
- Remove the battery.
- Pull the second battery towards you by its belt and repeat the previous steps

Installing batteries:

- Install the batteries in reverse order.

- Make sure the battery box sockets and plugs are correctly installed. A diagram showing how to connect the battery terminals correctly can be found in the rear cover.

14 Refurbishment

The product is suitable for refurbishment. Actions to be carried out:

- Cleaning and disinfection. Please see chapter "Maintenance" on page 137.
- Inspection according to service plan. Please consult service instructions, available from Invacare®.
- Adaptation to the user. Please see chapter "Adjusting the wheelchair to the user's seating posture" on page 47.

15 Disposal

- The equipment wrapping is potentially recyclable.
- The metal parts are used for scrap metal recycling.
- The plastic parts are used for plastic recycling.
- Electric components and printed circuit boards are disposed of as electronic scrap.
- Exhausted or damaged batteries can be returned to your medical equipment supplier or Invacare®.
- Disposal must be carried out in accordance with the respective national legal provisions.
- Ask your city or district council for details of the local waste management companies.

16 Technical specifications

The technical information provided hereafter applies to a standard configuration or represents maximum achievable values. These can change if accessories are added. The precise changes to these values are detailed in the sections for the respective accessories.

Permissible operating and storage conditions	
Temperature range for operation according to ISO 7176-9:	<ul style="list-style-type: none">• -25° ... +50 °C
Temperature range for storage according to ISO 7176-9:	<ul style="list-style-type: none">• -40° ... +65 °C

Electrical system	
Motors	<ul style="list-style-type: none">• 2 x 250 W (Kite)• 2 x 340 W (Kite Heavy Duty)
Batteries	<ul style="list-style-type: none">• 2 x 12 V/60 Ah (C20) leak-proof/gel• 2 x 12 V/73.5 Ah (C20) leak-proof/gel
Main fuse	<ul style="list-style-type: none">• 80 A strip fuse

Battery charger	
Output current	<ul style="list-style-type: none">• 8 A ± 8%
Output voltage	<ul style="list-style-type: none">• 24 V nominal (12 cells)
Input voltage	<ul style="list-style-type: none">• 200 – 250 V nominal
Operating temperature (ambient)	<ul style="list-style-type: none">• -25° ... +50°C
Storage temperature	<ul style="list-style-type: none">• -40° ... +65°C

Drive wheel tyre	
Tyre type	<ul style="list-style-type: none">• 14" pneumatic, puncture protected or puncture proof

Drive wheel tyre	
Tyre type	<ul style="list-style-type: none"> • 14" pneumatic, puncture protected or puncture proof
Tyre pressure	The recommended maximum tyre pressure in bar or kpa is marked on the side wall of the tyre or the rim. If more than one value is listed, the lower one in the corresponding units applies. (Tolerance = -0.3 bar, 1 bar = 100 kpa)

Castor wheel tyre	
Tyre type	<ul style="list-style-type: none"> • 10" pneumatic, puncture protected or puncture proof
Tyre type	<ul style="list-style-type: none"> • 230x60 (2.80/2.50-4) pneumatic or puncture proof
Tyre pressure	The recommended maximum tyre pressure in bar or kpa is marked on the side wall of the tyre or the rim. If more than one value is listed, the lower one in the corresponding units applies. (Tolerance = -0.3 bar, 1 bar = 100 kpa)

Driving characteristics	
Speed	<ul style="list-style-type: none"> • 6 km/h • 10 km/h
Min. braking distance	<ul style="list-style-type: none"> • 1000 mm (6 km/h) • 2100 mm (10 km/h)
Max. safe slope *****	
without lifter	<ul style="list-style-type: none"> • 10° (18 %) according to manufacturer's specifications with 136/160 kg payload, 4° seat angle, 15° backrest angle
with lifter	<ul style="list-style-type: none"> • 6° (10,5 %) according to manufacturer's specifications with 136/160 kg payload, 4° seat angle, 15° backrest angle
Max. climbable obstacle height	<ul style="list-style-type: none"> • 60 mm (100 mm with kerb climber)
Turning diameter	<ul style="list-style-type: none"> • 1600 mm
Range in accordance with ISO 7176-4:2008 ***:	

Driving characteristics			
	60 Ah batteries	6 km/h	<ul style="list-style-type: none"> • 31 km (Kite) • 27 km (Kite Heavy Duty)
		10 km/h	<ul style="list-style-type: none"> • 34 km (Kite) • 25 km (Kite Heavy Duty)
	73.5 Ah batteries	6 km/h	<ul style="list-style-type: none"> • 39 km (Kite) • 35 km (Kite Heavy Duty)
		10 km/h	<ul style="list-style-type: none"> • 39 km (Kite) • 31 km (Kite Heavy Duty)

Dimensions	Standard	Flex 2 / Max	Modulite
Total height (without lifter)	<ul style="list-style-type: none"> • 960/980/1000/1020 mm 	<ul style="list-style-type: none"> • 1110/1130/ 1170 mm • 1170 mm (Max) 	<ul style="list-style-type: none"> • 1060 mm (single-part seat frame) • 990 - 1090 mm (telescopic seat frame, moving the backrest plate)
Total height (with lifter)	<ul style="list-style-type: none"> • 970 - 1270 mm • 990 - 1290 mm • 1010 - 1310 mm • 1030 - 1330 mm 	<ul style="list-style-type: none"> • 1120 - 1420 mm • 1140 - 1440 mm • 1180 - 1480 mm • 1180 - 1480 mm (Max) 	<ul style="list-style-type: none"> • 1060 mm (single-part seat frame) • 990 - 1090 mm (telescopic seat frame, moving the backrest plate)

Dimensions	Standard	Flex 2 / Max	Modulite
Max. total width (widest part in brackets)	<ul style="list-style-type: none"> • 595 mm (chassis) • 640 mm (seat width 43) 	<ul style="list-style-type: none"> • 595 mm (chassis) • 600 mm (seat width 39) • 640 mm (seat width 43) • 690 mm (seat width 48) • 760 mm (Max) 	<ul style="list-style-type: none"> • 595 mm (chassis) • 640 mm (seat width 48) • 690 mm (seat width 53)
Total length (incl. standard legrest hanger)	• 1140 mm		
Total length (without standard legrest hanger)	• 870 mm		
Seat height ****:			
Seat angle 90° ... +102°	• 420/440/460/480 mm	• 460/480/500 mm	• 440/460/480/500 mm
Seat angle 90° ... +110°	–	• 460/480/500 mm	• 440/460/480/500 mm
Seat angle 90° ... +118°	<ul style="list-style-type: none"> • 490 mm (without lifter) • 500 - 800 mm (with lifter) 	<ul style="list-style-type: none"> • 510 mm (without lifter) • 520 - 820 mm (with lifter) 	–
Seat angle 90° ... 120°	–		<ul style="list-style-type: none"> • 450 mm (without lifter) • 450 - 750 mm (with lifter)

Dimensions	Standard	Flex 2 / Max	Modulite
Seat width (adjustment range of armrests in brackets)	<ul style="list-style-type: none"> • 430 mm (440 - 480 mm**) 	<ul style="list-style-type: none"> • 380 mm (390 - 430 mm) • 430 mm (440 - 480 mm**) • 480 mm (490 - 530 mm**) • 550 (560 - 600 mm**) (Max) 	<ul style="list-style-type: none"> • 380 mm (380 - 430 mm**) • 430 mm (430 - 480 mm**) • 480 mm (480 - 530 mm**) • 530 mm (530 - 580 mm**)
Seat depth	<ul style="list-style-type: none"> • 410/460/510 mm 	<ul style="list-style-type: none"> • 430 - 510 mm • 480 - 550 mm • 510 - 580 mm (Max) 	<ul style="list-style-type: none"> • 410 - 510 mm
Backrest height ****	<ul style="list-style-type: none"> • 480/540 mm 	<ul style="list-style-type: none"> • 560 mm 	<ul style="list-style-type: none"> • 480/540 mm (sling back) • 560 - 660 mm (telescopic seat frame, moving the backrest plate)
Seat cushion thickness	<ul style="list-style-type: none"> • 50 mm 	<ul style="list-style-type: none"> • 70 mm • 100 mm (Max) 	<ul style="list-style-type: none"> • 50/75/100 mm
Backrest angle, electrical *****	<ul style="list-style-type: none"> • 90° ... 106° 	<ul style="list-style-type: none"> • 90° ... 110° • 90° ... 120° 	<ul style="list-style-type: none"> • 90° ... 120°
Backrest angle, manual *****	<ul style="list-style-type: none"> • 88°, 100°, 102°, 124°, 136° • 80°, 90°, 97,5°, 105°, 112,5°, 120° 	<ul style="list-style-type: none"> • 90° ... 110° 	<ul style="list-style-type: none"> • 90° ... 120°

Dimensions	Standard	Flex 2 / Max	Modulite
Armrest height	<ul style="list-style-type: none"> • 290 - 360 mm 	<ul style="list-style-type: none"> • 260 - 340 mm (padded armrest) • 300 - 380 mm (fold-up armrest) • 300 - 410 mm (long armrest) • 300 - 410 mm (Max) 	<ul style="list-style-type: none"> • 290 - 360 mm
Seat angle, electrical adjustment	<ul style="list-style-type: none"> • 0° ... +12° • 0° ... +28° 	<ul style="list-style-type: none"> • 0° ... +12° • 0° ... +20° • 0° ... +28° ***** 	<ul style="list-style-type: none"> • 0° ... +20° (without lifter) • 0° ... +30° (with center of gravity displacement)***** *
Seat angle, manual adjustment	<ul style="list-style-type: none"> • 0° ... +12° 		

Footrest and legrest hangers		
Type	Length	Angle
Standard 80	<ul style="list-style-type: none"> • 350 - 450 mm 	<ul style="list-style-type: none"> • 80°
Vari F	<ul style="list-style-type: none"> • 290 - 460 mm 	<ul style="list-style-type: none"> • 0 - 70°
Vari A	<ul style="list-style-type: none"> • 290 - 460 mm 	<ul style="list-style-type: none"> • 0 - 70°
ADE (electric)	<ul style="list-style-type: none"> • 290 - 460 mm 	<ul style="list-style-type: none"> • 0 - 75°
Height-adjustable (manual)	<ul style="list-style-type: none"> • 350 - 450 mm 	<ul style="list-style-type: none"> • 0 - 70°

Weight *****	
Kerb weight	<ul style="list-style-type: none"> • 125 kg

Weight of components	
60 Ah batteries	<ul style="list-style-type: none"> • approx. 19.5 kg per battery
73.5 Ah batteries	<ul style="list-style-type: none"> • approx. 24.5 kg per battery

Payload	
Max. payload	<ul style="list-style-type: none"> • 136 kg (Kite) • 160 kg (Kite Heavy Duty)

Axle loads	
Max. axle load front	<ul style="list-style-type: none"> • 110 kg
Max. axle load rear	<ul style="list-style-type: none"> • 140 kg

* Approx.

** Width adjustable via side part adjustment.

*** Comment: The range of a power wheelchair depends heavily on external factors such as the state of charge of the batteries, ambient temperature, local topography, condition of the street surface, tyre pressure, weight of the user, driving style and use of batteries for lighting, servo systems etc.

The specified values are theoretical maximum achievable values measured according to ISO 7176-4:2008.

**** Measured without seat cushions

***** The actual empty weight depends on the wheelchair equipment. Every Invacare® wheelchair is weighed when it leaves the factory. The determined empty weight (including batteries) is specified on the identification label.

***** Static stability in accordance with ISO 7176-1 = 9° (15.8 %)
 Dynamic stability in accordance with ISO 7176-2 = 6° (10.5 %)

***** As soon as the lifter is raised above a certain point you can adjust the seat and backrest angles only at a combined total of max. 15°.

17 Inspections Performed

It is confirmed by stamp and signature that all jobs listed in the inspection schedule of the Service and Repair Instructions have been properly performed. The list of the inspection jobs to be performed can be found in the Service Manual which is available through Invacare®.

<u>Delivery Inspection</u>	<u>1st Annual Inspection</u>
Stamp of authorised Dealer / Date / Signature	Stamp of authorised Dealer / Date / Signature
<u>2nd Annual Inspection</u>	<u>3rd Annual Inspection</u>
Stamp of authorised Dealer / Date / Signature	Stamp of authorised Dealer / Date / Signature
<u>4th Annual Inspection</u>	<u>5th Annual Inspection</u>
Stamp of authorised Dealer / Date / Signature	Stamp of authorised Dealer / Date / Signature

Order No. of this Manual: 1550136.DOC
Release Date: 2013-07-22

English