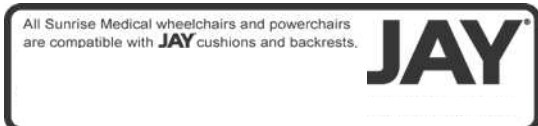


Deliver to:
 Name:
 Street:
 Town: Postal code:
 E-Mail:
 Tel: Fax:

Deliver to:
 Name:
 Street:
 Town: Postal code:
 E-Mail:
 Tel: Fax:

Order date:
 Purchase order:
 Number required:

Marked for:
 Sunrise order no:



● = Standard □ = Cost option ○ = No cost option
 Customer Services fax number **0845 605 66 89**
 Customer Services email **orders@sunmed.co.uk**
Max. user weight: 125kg // 140 kg (2)
USER WEIGHT kg
 Mandatory information to ensure correct configuration

Transportation Approved

Details of options can be found in the Quickie Manual Wheelchair Accessory Guide

Part no.: 65100001

Base Price
£2,145

Please consult our colour catalogue, to review your colour choice at the end of the order form

CLIENT MEASUREMENTS

		Seat Width in cm										
		30 cm	32 cm	34 cm	36 cm	38 cm	40 cm	42 cm	44 cm	46 cm	48 cm	50 cm
Seat Depth in cm	30 cm	<input type="radio"/>	<input type="radio"/>	<input type="radio"/>	<input type="radio"/>	<input type="radio"/>	<input type="radio"/>	<input type="radio"/>	<input type="radio"/>	<input type="radio"/>	<input type="radio"/>	<input type="radio"/>
	32 cm	<input type="radio"/>	<input type="radio"/>	<input type="radio"/>	<input type="radio"/>	<input type="radio"/>	<input type="radio"/>	<input type="radio"/>	<input type="radio"/>	<input type="radio"/>	<input type="radio"/>	<input type="radio"/>
	34 cm	<input type="radio"/>	<input type="radio"/>	<input type="radio"/>	<input type="radio"/>	<input type="radio"/>	<input type="radio"/>	<input type="radio"/>	<input type="radio"/>	<input type="radio"/>	<input type="radio"/>	<input type="radio"/>
	36 cm	<input type="radio"/>	<input type="radio"/>	<input type="radio"/>	<input type="radio"/>	<input type="radio"/>	<input type="radio"/>	<input type="radio"/>	<input type="radio"/>	<input type="radio"/>	<input type="radio"/>	<input type="radio"/>
	38 cm	<input type="radio"/>	<input type="radio"/>	<input type="radio"/>	<input type="radio"/>	<input type="radio"/>	<input type="radio"/>	<input type="radio"/>	<input type="radio"/>	<input type="radio"/>	<input type="radio"/>	<input type="radio"/>
	40 cm	<input type="radio"/>	<input type="radio"/>	<input type="radio"/>	<input type="radio"/>	<input type="radio"/>	<input type="radio"/>	<input type="radio"/>	<input type="radio"/>	<input type="radio"/>	<input type="radio"/>	<input type="radio"/>
	42 cm	<input type="radio"/>	<input type="radio"/>	<input type="radio"/>	<input type="radio"/>	<input type="radio"/>	<input type="radio"/>	<input type="radio"/>	<input type="radio"/>	<input type="radio"/>	<input type="radio"/>	<input type="radio"/>
	44 cm	<input type="radio"/>	<input type="radio"/>	<input type="radio"/>	<input type="radio"/>	<input type="radio"/>	<input type="radio"/>	<input type="radio"/>	<input type="radio"/>	<input type="radio"/>	<input type="radio"/>	<input type="radio"/>
	46 cm	<input type="radio"/>	<input type="radio"/>	<input type="radio"/>	<input type="radio"/>	<input type="radio"/>	<input type="radio"/>	<input type="radio"/>	<input type="radio"/>	<input type="radio"/>	<input type="radio"/>	<input type="radio"/>
	48 cm	<input type="radio"/>	<input type="radio"/>	<input type="radio"/>	<input type="radio"/>	<input type="radio"/>	<input type="radio"/>	<input type="radio"/>	<input type="radio"/>	<input type="radio"/>	<input type="radio"/>	<input type="radio"/>
	50 cm	<input type="radio"/>	<input type="radio"/>	<input type="radio"/>	<input type="radio"/>	<input type="radio"/>	<input type="radio"/>	<input type="radio"/>	<input type="radio"/>	<input type="radio"/>	<input type="radio"/>	<input type="radio"/>

All measurements are in cm and without a cushion

		Front Seat Height in cm								
		Fork type	45	46	47	48	49	50	51	52
Front Castor	3"	111mm	<input type="radio"/>	<input type="radio"/>	<input type="radio"/>					
		123mm (1)			<input type="radio"/>	<input type="radio"/>	<input type="radio"/>			
	4"	111mm	<input type="radio"/>	<input type="radio"/>	<input type="radio"/>	<input type="radio"/>	<input type="radio"/>			
123mm (1)				<input type="radio"/>	<input type="radio"/>	<input type="radio"/>	<input type="radio"/>			
Frog leg (1)						<input type="radio"/>	<input type="radio"/>	<input type="radio"/>		
5"	111mm				<input type="radio"/>	<input type="radio"/>	<input type="radio"/>			
	123mm (1)				<input type="radio"/>	<input type="radio"/>	<input type="radio"/>	<input type="radio"/>		
	Frog leg (1)							<input type="radio"/>	<input type="radio"/>	
	123mm (1)						<input type="radio"/>	<input type="radio"/>	<input type="radio"/>	

Your rear seat height can only be between 0cm and 13cm below your front seat height:
 i.e. rear seat height CANNOT be above front seat height.
 i.e. rear seat height CANNOT be more than 13cm below front seat height.
 More info, see page 2

		Rear seat height in cm																		
Rear Wheels		34	35	36	37	38	39	40	41	42	43	44	45	46	47	48	49	50	51	52
22"		<input type="radio"/>	<input type="radio"/>	<input type="radio"/>	<input type="radio"/>	<input type="radio"/>	<input type="radio"/>	<input type="radio"/>	<input type="radio"/>	<input type="radio"/>	<input type="radio"/>	<input type="radio"/>	<input type="radio"/>	<input type="radio"/>	<input type="radio"/>	<input type="radio"/>	<input type="radio"/>	<input type="radio"/>	<input type="radio"/>	<input type="radio"/>
24"				<input type="radio"/>	<input type="radio"/>	<input type="radio"/>	<input type="radio"/>	<input type="radio"/>	<input type="radio"/>	<input type="radio"/>	<input type="radio"/>	<input type="radio"/>	<input type="radio"/>	<input type="radio"/>	<input type="radio"/>	<input type="radio"/>	<input type="radio"/>	<input type="radio"/>	<input type="radio"/>	<input type="radio"/>
25"					<input type="radio"/>	<input type="radio"/>	<input type="radio"/>	<input type="radio"/>	<input type="radio"/>	<input type="radio"/>	<input type="radio"/>	<input type="radio"/>	<input type="radio"/>	<input type="radio"/>	<input type="radio"/>	<input type="radio"/>	<input type="radio"/>	<input type="radio"/>	<input type="radio"/>	<input type="radio"/>
26"							<input type="radio"/>	<input type="radio"/>	<input type="radio"/>	<input type="radio"/>	<input type="radio"/>	<input type="radio"/>	<input type="radio"/>	<input type="radio"/>	<input type="radio"/>	<input type="radio"/>	<input type="radio"/>	<input type="radio"/>	<input type="radio"/>	<input type="radio"/>

(1) compatible with power add on devices
 (2) 136kg in combination with AGN090100 "Crash Test Option"

SEAT UPHOLSTERY AND CUSHIONS**Seat Slings:**

AGN020002	<input type="radio"/>	Seat sling with 1 utility bag	(Std default option)	
AGN020003	<input type="checkbox"/>	Seat sling with 2 utility bag	(only from SW 34 cm)	43
AGN020004	<input type="checkbox"/>	Seat sling with utility bag and catheter bag	(only from SW 34 cm)	97
AGN020000	<input type="radio"/>	Without seat sling		

Seat cushion black cover:

Foam composite: (medium soft)	Thickness:	AGN020101 <input type="checkbox"/> 3 cm	AGN020102 <input type="checkbox"/> 5 cm	57
Latex: (very soft)	Thickness:	AGN020103 <input type="checkbox"/> 5 cm	AGN020104 <input type="checkbox"/> 8 cm	57

Seat cushion with water resistant / breathable cover:

Foam composite: (medium soft)	Thickness:	AGN020105 <input type="checkbox"/> 3 cm	AGN020106 <input type="checkbox"/> 5 cm	110
Latex: (very soft)	Thickness:	AGN020107 <input type="checkbox"/> 5 cm	AGN020108 <input type="checkbox"/> 8 cm	110
AGN020150	<input type="checkbox"/>	Spare cushion cover		43

JAY Cushions - for complete product range see Jay order forms:

JAY020002	<input type="checkbox"/>	Jay Basic		55
JAY020003	<input type="checkbox"/>	Jay Soft Combi P		77
JAY020001	<input type="checkbox"/>	Jay Easy Visco		132
JAY020007	<input type="checkbox"/>	JAY Easy Fluid		308
JAY020004	<input type="checkbox"/>	JAY Lite		215

Seat accessories

AGN090018	<input type="checkbox"/>	Positioning belt		35
-----------	--------------------------	------------------	--	----

BACKREST**Back height range**

Choose back height factory setting (cm).

Height adjustments possible in the range 25-30 cm; 30-40 cm; 40-45 cm.

25 - 30	30 - 40	40 - 45
<input type="radio"/> 25	<input type="radio"/> 30	<input type="radio"/> 37.5
<input type="radio"/> 27.5	<input type="radio"/> 32.5	<input type="radio"/> 40
<input type="radio"/> 30	<input type="radio"/> 35	<input type="radio"/> 45

AGN030015	<input type="radio"/>	Angle adj. Back (fold down)	(-31° to +15°)	(only available black anodized style package)	
AGN030102	<input type="checkbox"/>	Double locking			32
AGN030012	<input type="radio"/>	Angle adj. Back (fixed)	(-31° to +15°)	(only available black anodized style package)	

Push handles: Choose only one option

AGN030200	<input type="radio"/>	Without push handles		
AGN030201	<input type="radio"/>	Integral push handles long		
AGN030203	<input type="checkbox"/>	Fold-down push handles	(only available from back height 32.5 cm)	116
AGN030204	<input type="checkbox"/>	Height adj push handles	(only available from back height 32.5 cm)	154
AGN030205	<input type="checkbox"/>	Height adj push handles for Jay backs	(only available from back height 32.5 cm)	154

Backrest upholstery adjustable

AGN030316	<input type="radio"/>	EXO Backrest sling, synthetic fibre, padded, adjustable, 1 accessory bag, black Colour, binding tape: ● Black ○ Orange ○ Silver ○ Red ○ Blue		
AGN030317	<input type="checkbox"/>	EXO PRO Backr. sling, synthetic fibre, padded, adj., breathable spacer fabric, accessory bag, black Colour, binding tape: ● Black ○ Orange ○ Silver ○ Red ○ Blue		136
AGN030000	<input type="radio"/>	Without backrest upholstery		

JAY BACKS

Jay 3 Back - Shallow Contour							
Mid Thoracic:	<input type="checkbox"/>	JAY030010	Medium - 34 cm	<input type="checkbox"/>	JAY030033 Tall - 38 cm	506	
Upper Thoracic:	<input type="checkbox"/>	JAY030012 Short - 42 cm	<input type="checkbox"/>	JAY030019 Medium - 46 cm	<input type="checkbox"/>	JAY030025 Tall - 50 cm	572
Jay 3 Back - Mid Contour							
Mid Thoracic:	<input type="checkbox"/>	JAY030011	Medium - 34 cm	<input type="checkbox"/>	JAY030018 Tall - 38 cm	506	
Upper Thoracic:	<input type="checkbox"/>	JAY030013 Short - 42 cm	<input type="checkbox"/>	JAY030020 Medium - 46 cm	<input type="checkbox"/>	JAY030026 Tall - 50 cm	572
JAY 3 Carbon - Shallow Contour							
Low Thoracic:	<input type="checkbox"/>	JAY060001 Short - 17 cm		<input type="checkbox"/>	JAY060002 Tall - 24 cm	605	
Mid Thoracic:	<input type="checkbox"/>	JAY060003 Short - 30 cm		<input type="checkbox"/>	JAY060004 Tall - 38 cm	605	
JAY 3 Accessory bag							
JAY090058	<input type="checkbox"/>	JAY J3 Accessory bag				46	
Jay 3 Back Headrests							
JAY030004	<input type="checkbox"/>	Jay Flip Back Headrest (J3EUHDFH & J3EUHDLSP)			<i>(only with Jay 3 backs)</i>	255	
JAY030006	<input type="checkbox"/>	Jay Std. Headrest (J3EUHDXH & J3EUHDLSP)			<i>(only with Jay 3 backs)</i>	174	

SIDEGUARDS & ARMRESTS

AGN040107	<input type="radio"/>	Plastic detachable sideguard				
AGN040102	<input type="checkbox"/>	Straight aluminium sideguard				157
AGN040103	<input type="checkbox"/>	Straight aluminium sideguard with fender <i>(min seat height 39 cm)</i>				218
AGN040101	<input type="checkbox"/>	Straight carbon slim style sideguard (1)				183
AGN040104	<input type="checkbox"/>	Straight carbon sideguards with fender <i>(min seat height 39 cm, not in combination with handbike axle)</i>				285
AGN040108	<input type="checkbox"/>	Padded tubular armrest <i>(not in combination with handbike axle)</i>				96
		Single post armrest with: <i>(Quickie style)</i>				
	<input type="checkbox"/>	AGN040050 short armpad (25 cm)	<input type="checkbox"/>	AGN040051 long armpad (36 cm)		153
AGN040052	<input type="checkbox"/>	Tool height adj. armrest (short & long armpad - length adj.)				183
AGN040000	<input type="radio"/>	Without Sideguard				

LEGREST & FOOTPLATES

AGN050029	<input type="radio"/>	Tubular footrest lightweight <i>(lower leg length 36 cm - 50 cm)</i>				
AGN050030	<input type="checkbox"/>	Tubular footrest lightweight with flat cover <i>(lower leg length 36 cm - 50 cm)</i>				67
AGN050025	<input type="checkbox"/>	Platform footrest lightweight composite plate <i>(lower leg length 36 cm - 50 cm)</i>				133
AGN050024	<input type="checkbox"/>	Platform footrest lightweight alu plate <i>(lower leg length 36 cm - 50 cm)</i>				133
AGN050026	<input type="checkbox"/>	Platform footrest lightweight carbon plate <i>(lower leg length 36 cm - 50 cm)</i>				273
AGN050034	<input type="checkbox"/>	Platform footrest lightweight high mount <i>(LLL 22 - 39 cm)</i>				133
AGN050125	<input type="checkbox"/>	Performance footrest alu angle adj. <i>(lower leg length 36 cm - 50 cm)</i>				200
AGN050127	<input type="checkbox"/>	Foot positioning plate <i>(only with platform footplates lightweight angle & depth adjustable)</i>				18
AGN050020	<input type="checkbox"/>	Composite footplate divided (2) <i>(SW 38-50cm; LLL 38 - 50 cm)</i>				110
AGN050022	<input type="checkbox"/>	Alu footplate divided (2) <i>(SW 34 - 50; lower leg length 38 cm - 50 cm)</i>				110

Lower leg length (LLL) Attention: LLL has to be 3 cm less than seat height front; all measurements are in cm

<input type="radio"/>	22	<input type="radio"/>	23	<input type="radio"/>	24	<input type="radio"/>	25	<input type="radio"/>	26	<input type="radio"/>	27	<input type="radio"/>	28	<input type="radio"/>	29
<input type="radio"/>	30	<input type="radio"/>	31	<input type="radio"/>	32	<input type="radio"/>	33	<input type="radio"/>	34	<input type="radio"/>	35	<input type="radio"/>	36	<input type="radio"/>	37
<input type="radio"/>	38	<input type="radio"/>	39	<input type="radio"/>	40	<input type="radio"/>	41	<input type="radio"/>	42	<input type="radio"/>	43	<input type="radio"/>	44	<input type="radio"/>	45
<input type="radio"/>	46	<input type="radio"/>	47	<input type="radio"/>	48	<input type="radio"/>	49	<input type="radio"/>	50						

LLL 22 - 35 cm only with high mounted footrest; for all other footrests from LLL 36 - 50 cm.

FRAME VERSIONS (first choose frame angle then frame inset)

AGN010601	<input type="radio"/>	User Weight max.125kg				
AGN010602	<input type="radio"/>	User Weight max.140kg				
AGN010013	<input type="radio"/>	Fixed frame 88° (EU 92 degree)				
AGN010012	<input type="radio"/>	Fixed frame 80° (EU 100 degree)				
AGN010100	<input type="radio"/>	Frame inset: 0cm				
AGN010103	<input type="radio"/>	Frame inset: 3cm				
AGN090015	<input type="checkbox"/>	Preparation for add on devices (4) <i>(max. 120 kg; only 0° camber)</i>				158
AGN010500	<input type="checkbox"/>	Handbike axle (3) <i>(max 100kg; not in combination with amputee axle and padded tubular armrest)</i>				260
AGN070500	<input type="checkbox"/>	Amputee axle <i>(not in combination with handbike axle and padded tubular armrest)</i>				158

(1) With 24" rear wheel minimum rear seat height 41 cm; with 25" rear wheel minimum rear seat height 43 cm**(2) With 3 cm inset divided footplates are available from sw 40 composite and SW 36 alu footplate****(3) Not with tip assist****(4) Necessary for e-fix or P105 attachment**

				£
AXLE PLATE & CENTRE OF GRAVITY (COG) <i>(measured from front of back post; choose only one option)</i>				
COG32	<input type="radio"/>	3.2 cm	COG80 <input type="radio"/> 8.0 cm (Sport or pair of anti tip tubes only)	
COG44	<input type="radio"/>	4.4 cm	COG92 <input type="radio"/> 9.2 cm (Sport or pair of anti tip tubes only)	
COG56	<input type="radio"/>	5.6 cm	COG104 <input type="radio"/> 10.4 cm (Sport or pair of anti tip tubes only)	
COG68	<input type="radio"/>	6.8 cm		
FRAME ACCESSORIES <i>(choose either tip assist or anti-tip tubes, not both)</i>				
Tip assist (step tube)				
AGN090001	<input type="checkbox"/>	Left	AGN090002 <input type="checkbox"/> Right	28
AGN090003	<input type="checkbox"/>	Pair		48
AGN090009	<input type="checkbox"/>	Crutch holder	<i>(only in combination with tip assist)</i>	59
Anti-tip tubes swing-away				
AGN090004	<input type="checkbox"/>	Left	AGN090005 <input type="checkbox"/> Right	79
AGN090006	<input type="checkbox"/>	Pair		157
Anti-tip tubes pluggable				
AGN090007	<input type="checkbox"/>	Anti-tip tubes pluggable	<i>(Pair)</i>	67
Anti tip flip up (user operated)				
AGN090033	<input type="checkbox"/>	Left	AGN090008 <input type="checkbox"/> Right	121
AGN090035	<input type="checkbox"/>	Sport anti-tip		242
AGN090010	<input type="checkbox"/>	Transit wheels	<i>(3")</i>	174
AGN090016	<input type="checkbox"/>	Frame protection (impact guard)		59
PREPARATION FOR ATTITUDE ADD-ON BIKE				
AGN090211	<input type="checkbox"/>	Preparation for ATTITUDE, w/o ATTITUDE order (3)	<i>(docking pins assembled)</i>	90
AGN090212	<input type="radio"/>	Preparation for ATTITUDE, with ATTITUDE order (3)	<i>(docking pins assembled; ATTITUDE order separately)</i>	
FORKS <i>(compare with your choice on the first page)</i>				
AGN080013	<input checked="" type="radio"/>	Carbotecture fork (111mm forks only)	<i>(colours: see Stylepackage on last page)</i>	
AGN080029	<input checked="" type="radio"/>	Aluminium fork (123mm forks only) (1)	<i>(colours: see Stylepackage on last page)</i>	
AGN080007	<input type="checkbox"/>	FROG LEG fork	<i>(not in combination with 3" & all ALU casters; only black, max user weight 125 kg)</i>	254
STANDARD CASTOR <i>(compare with your choice on the first page)</i>				
AGN080301	<input type="radio"/>	Solid		
AGN080302	<input type="radio"/>	Soft	<i>(only for 5" & 6")</i>	
AGN080303	<input type="checkbox"/>	Light ups (solid)	<i>(not available for 6")</i>	59
AGN080304	<input type="checkbox"/>	Solid with aluminium rim	<i>(only for 4" and 5")</i>	70
AGN080306	<input type="checkbox"/>	Soft with aluminium rim (wide)	<i>(only for 4" and 5")</i>	70
REAR WHEELS <i>(compare with your choice on the first page; choose only one wheel type)</i>				
NOTE: for users with higher user weight than 100 kg, we recommend cross spoked wheels				
AGN070001	<input type="radio"/>	Universal Cross spoked	<i>(not with 25")</i>	
AGN070002	<input type="radio"/>	Design wheel	<i>(not with 22" or 25")</i>	
AGN070003	<input type="radio"/>	Light weight wheel	<i>(not with 26"; max user weight: 125 kg)</i>	
AGN070004	<input type="checkbox"/>	Proton Wheels	<i>(not with 26"; max user weight: 100 kg)</i>	433
AGN070005	<input type="checkbox"/>	Spinergy wheels 18 spokes	<i>(not with 22"; black spokes; other colours available via B4M)</i>	393
AGN070006	<input type="checkbox"/>	Spinergy wheels 12 spokes	<i>(not with 22" or 26"; black spokes; other colours available via B4M)</i>	606
AGN070009	<input type="checkbox"/>	Mountainbike Rear wheel	<i>(only with 24", mountain bike tyres & aluminium rim, black coated)</i>	279
AGN070010	<input type="checkbox"/>	Additional Mountain Bike wheels	<i>(only with 24"; comes always with mountainbike tyres)</i>	419
AGN070000	<input type="radio"/>	Without wheels		
TYRES <i>(choose only one tyre type)</i>				
AGN070101	<input type="radio"/>	Right Run (standard slick)	<i>(not in 25")</i>	
AGN070102	<input type="radio"/>	Solid tyres (puncture proof) (2)	<i>(not with 26")</i>	
AGN070107	<input type="checkbox"/>	Schwalbe One (Slight puncture protection)	<i>(only 24")</i>	80
AGN070106	<input type="checkbox"/>	Two Grip Down Town	<i>(only 24")</i>	80
AGN070104	<input type="checkbox"/>	Marathon plus evolution (puncture resistant)	<i>(not in 22")</i>	80

(1): compatible with power add on devices

(2): Proton and Light Weight wheel only with 24" & 25" solid tyre ; Spinergy wheels only with 24" solid tyre

(3): Max front frame width 46cm, max 100kg user weight

				£
HANDRIM				
AGN070202	<input type="radio"/>	Aluminium silver anodized	(1)	
AGN070201	<input type="radio"/>	Aluminium silver powder coated	(1)	(not with 26" and Spinergy wheels)
AGN070204	<input type="radio"/>	Stainless steel		(not with 25" wheels; not with Spinergy wheels)
AGN070203	<input type="checkbox"/>	Aluminium colour powder coated	Colour Code:	(not with Spinergy wheels) 55
AGN070205	<input type="checkbox"/>	Titanium		(only 24"; 26" wheels; not with Spinergy wheels) 166
AGN070206	<input type="checkbox"/>	Titanium clear powdercoated		(only 24" wheels; not with Spinergy wheels) 166
AGN070207	<input type="checkbox"/>	Supergrip		(Not with mountain bike wheels) 200
AGN070208	<input type="checkbox"/>	Max Grepp		(only 22", 24"wheels; not with Spinergy wheels) 200
AGN070250	<input type="checkbox"/>	Handrim cover		(only 22" & 24"wheels) 80
Handrim mounting				
	AGN070317	<input type="radio"/>	Close = 17mm	(12,5 mm with lightweight & Proton wheels)
	AGN070327	<input type="radio"/>	Wide = 27mm	(not with lightweight & spinergy wheel and alu handrim)
	AGN070307	<input type="radio"/>	Extra close = 7mm	(only with stainless steel)
WHEEL CAMBER (choose only one option)				
AGN070600	<input type="radio"/>	0°		
AGN070603	<input type="radio"/>	3°		
AGN070606	<input type="radio"/>	6°		
AGN070609	<input type="radio"/>	9°		(not with handbike axle)
SPOKE GUARDS (only available in 22" & 24")				
<input type="checkbox"/>	Spoke guards	Number:	Description:	110
Please consult the following page of this order form to choose your selection or to order a copy of our brochure please call 0845 605 66 88 or e-mail literaturerequest@sunmed.co.uk.				
You can also view the brochure online by visiting www.sunrisemedical.com and navigating to Quickie Argon. You will find the brochure under "Multimedia & Downloads".				
WHEEL LOCKS (Choose only one option)				
AGN060001	<input type="radio"/>	Standard wheel lock		
AGN060003	<input type="radio"/>	Compact wheel lock		(only with 0°/3° camber)
AGN060002	<input type="checkbox"/>	Knee lever wheel lock		53
AGN060010	<input type="checkbox"/>	Wheel lock extension knee lever brake lock		(only on knee lever wheel lock) 36
AGN060006	<input type="checkbox"/>	One arm wheel lock left		(only with 0°/3° camber) 146
AGN060007	<input type="checkbox"/>	One arm wheel lock right		(only with 0°/3° camber) 146
ACCESSORIES				
AGN090000	<input checked="" type="radio"/>	Tool kit		
AGN090100	<input checked="" type="radio"/>	Transportation brackets - Crash Test Option (3)		Std.
AGN090024	<input type="checkbox"/>	High pressure pump		67
AGN090025	<input type="checkbox"/>	Air pump		13
AGN090030	<input type="checkbox"/>	Back pack		53
AGN090020	<input type="checkbox"/>	Net back bag		19
AGN090019	<input type="checkbox"/>	Bag Caddy		(not with platform footrest alu high mount and LLL < 41 cm) 53
AGN090026	<input type="checkbox"/>	Mobile phone pocket		40
AGN090017	<input type="checkbox"/>	Snoll on (off road 5th wheel attachment)	(2)	(Max user weight: 100kg) 485

(1) Not available mounting wide with Lightweight & Proton wheels

(2) Not in combination with performance footrest and high mounted footrest

(3) max. user weight 136kg

● = Standard

○ = No cost option

□ = Cost option

COLOURS

Please consult our colour catalogue, to review your colour choice at the end of the order form

	Frame (Matt £84)	Handrim £55	Hub/rim £154	(1)		Frame (Matt £84)	Handrim £55	Hub/rim £154	(1)
01 White RAL 9010	○	□	□		26 Silver Texture	○	□	□	
02 Brilliant Silver	○	□	□		27 Graphite metallic	○	□	□	
03 Silver matt	□	□	□		28 Platinum metallic	○	□	□	
04 Silver	○	□	□		29 Black	○	□	□	
06 Sun Yellow	○	□	□		31 Matt black	□	□	□	
07 Brilliant Lime	○	□	□		32 Signal white	○	□	□	
08 Matt Lime	□	□	□		33 Pink	○	□	□	
14 Blue	○	□	□		34 Dark chocolate metallic	○	□	□	
15 Brilliant Marine	○	□	□		35 Skyblue	○	□	□	
16 Matt Marine	□	□	□		36 Cyan-Metallic	○	□	□	
19 Brilliant Purple	○	□	□		37 Mars Red (Orange)	○	□	□	
20 Matt Purple	□	□	□		39 Cappuccino	○	□	□	
21 Red Ruby	○	□	□		40 Kiwi	○	□	□	
22 Brilliant Red	○	□	□		41 Flamingo-Glitter	○	□	□	
23 Matt Red	□	□	□		42 Matt-Anthracite	□	□	□	
24 Tutti Frutti Orange	○	□	□		43 Azure Blue	○	□	□	

Style Package (Colours for Forks)

AGN100502	● Black	
AGN100503	□ Silver	£78
AGN100501	□ Orange	£78

(1) only with universal cross spoked rear wheels

Comments for special build:

Argon² - Base Price	£2,145
Option price	£
Packaging and transport	£
Exclusive VAT	£
VAT.	£
Total Price	£



HUM070823 - Princess



HUM070808 - Dancing Bear



HUM070818 - Jungle Fever



HUM070816 - Happy Lions



HUM070832 - Water World



HUM070825 - Randolf



HUM070819 - Monkeys



HUM070821 - Pirates



HUM070811 - Feather



HUM070820 - Oriental



HUM070824 - Racing



HUM070809 - Dirt Race



HUM070829 - Superhero



HUM070814 - Graffiti



HUM070806 - Chrome Wheel



HUM070817 - Hot Wheels



HUM070802 - Basketball



HUM0708036 - Basketball 2



HUM070822 - Pool



HUM070812 - Flying Water



HUM070828 - Space



HUM070827 - Silk



HUM070801 - Abstract



HUM070807 - Creative



HUM070830 - Tiger



HUM070833 - Zebra



HUM070805 - Cheese



HUM070804 - Bibbo



HUM070813 - Galactica



HUM070826 - Rotation



HUM070810 - Fantasy



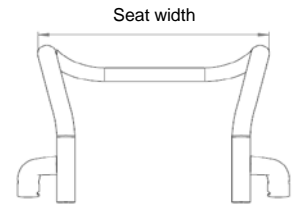
HUM070815 - Graphic

Please follow this measuring method:

The following method is recommended on the basis of extensive practical experience. Deviations are possible in individual instances.

Seat width (SW):

- a) *For the user:* Allow space between sideguard and hip on each side of the chair (approx. 1 - 2cm altogether)
- b) *On the wheelchair:* From outside frame tube to outside frame tube.



Seat depth (SD):

- a) *For the user:* When sitting upright: leave space for 2 - 3 fingers between front edge of the seat upholstery and back of knee (approx. 3 - 6 cm). Care must be taken with adj. upholstery.
- b) *On the wheelchair:* From back tube to front of seat upholstery.

Front seat height:

- a) *For the user:* When sitting with 90° kneeangle: From back of knee to bottom of shoe sole.
- b) *On the wheelchair:* From front of seat tube to the ground . (min. 3cm longer than user measurement) Remember to include the cushion height.

Rear seat height:

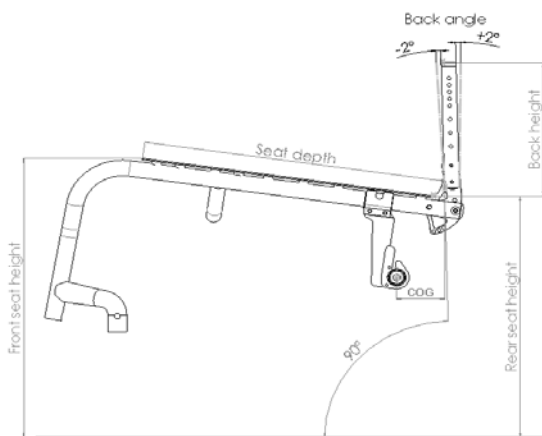
- b) *On the wheelchair:* From back of seat tube to the ground. **Note:** Max. seat height difference rear to front is 13 cm

Back height:

- a) *For the user:* From the seat, including cushion, to be no more than 1 - 2 cm below the lower shoulder blade.
- b) *On the wheelchair:* From back of seat tube to upper edge of backrest upholstery. **Note:** The user's ability to sit upright has a major influence on the back height and it can therefore differ considerably

Back angle:

Important: The back height depends on the degree of disability. 0° is the angle 90° to the ground. Negative angles are <90° and positive angles are >90°.



Technical Data Overview:

Overall dimensions:

Max overall height: 90 cm
 Max overall length: 91 cm

Overall width with:

For 0° camber: SW + 20 cm
 For 3° camber: SW + 22 cm
 For 6° camber: SW + 28 cm
 For 9° camber: SW + 34 cm

24" rear wheel

SW + 20 cm
 SW + 22 cm
 SW + 28 cm
 SW + 34 cm

25" rear wheel

SW + 20 cm
 SW + 26 cm
 SW + 32 cm
 SW + 38 cm

Please note that the matrix is based on a std configuration:

Std chair 40 x 40 cm; 3° camber; 5,60 cm CoG; Seat angle of 8°

All changes in the configuration might change the seat heights.

Manufacturing tolerances of +/- 1 cm



AGN020002
Seat sling with 1 utility bag



AGN090018
Positioning Belt



JAY020002
JAY Basic
(picture shown without upholstery)



JAY020003
JAY Soft Combi P
(picture shown without upholstery)



JAY020001
JAY Easy Visco
(picture shown without upholstery)



JAY020004
JAY Lite
(picture shown without upholstery)



AGN030201
Integral push handles
long



AGN030203
Fold down push
handles



AGN030205
Height adjustable
push handles for Jay



AGN030316
EXO backrest sling



AGN030317
EXO PRO backrest sling

JAY 3 Back
Shallow Contour



JAY 3 Back
Mid Contour



JAY 3 Back
Deep Contour



JAY 3 Back
Posterior Deep Contour



AGN040102
Aluminium sideguard w/o
fender



AGN040101
Slim style sideguard



AGN040103
Aluminium sideguard
with fender



AGN040104
Carbon sideguard with
fender



AGN040107
Composite
sideguard
detachable



AGN040108
Padded tubular
armrest



AGN040051
Single post armrest
with long armpad



AGN040052
Tool height adj. armrest



AGN050029
Tubular footrest
lightweight



AGN050030
Tubular footrest lightweight
with flat cover



AGN050025
Platform footrest LW
composite plate



AGN050026
Platform footrest LW
carbon plate



AGN050125
Performance
footrest alu angle
adj



AGN050127
Foot positioning plate



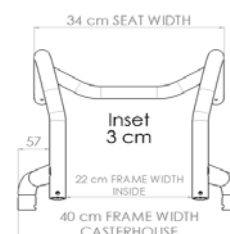
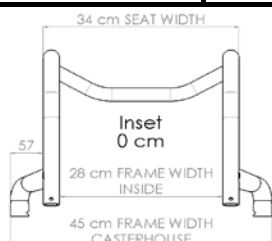
AGN050020
Composite footplate
divided



AGN050022
Alu footplate divided

Frame inset table (Graphs below are showing an example for SW 34)

Inset		Seat Width (cm)										
		30	32	34	36	38	40	42	44	46	48	50
0 cm	Frame Width Inside	24	26	28	30	32	34	36	38	40	42	44
	Frame Width Casterhouse	41	43	45	47	49	51	53	55	57	59	61
3cm	Frame Width Inside	NA	NA	22	24	26	28	30	32	34	36	38
	Frame Width Casterhouse	NA	NA	40	42	44	46	48	50	52	54	56





AGN090001
Tip assist left



AGN090004
Anti-tip tubes SA



AGN090007
Anti tip tubes pluggable



AGN090035
Sport anti-tip



AGN090008
Anti tip flip up
User operated



AGN090010
Transit wheels



AGN090016
Frame protection



AGN080013
Carbotecture fork



AGN080007
FROG LEG fork



AGN070001
Universal Cross spoked



AGN070002
Design Wheel



AGN070003
Light weight wheel



AGN070004
Proton Wheel



AGN070005
Spinergy Wheel - 18 spoke



AGN070101
Right Run



AGN070106
Two Grip Down Town



AGN070107
Schwalbe One



AGN070102
Solid Tyres



AGN070104
Marathon Plus
(puncture proof)



AGN070009
Mountain bike rear
wheel



AGN070208
Max Grepp



AGN070207
Supergrip



AGN060001
Standard Wheel lock



AGN060003
Compact wheel lock



AGN060002
Knee lever wheel lock



AGN060007
One arm wheel lock right



AGN090000
Tool kit



AGN090024
High pressure pump



AGN090025
Air pump



AGN090030
Back pack



AGN090019
Caddy



AGN090026
Mobile phone pocket