



Triton™

Driving innovation in modular seating

- Superior Dynamix & True Modularity
- Clinical flexibility for client individuality
- Cost effective, robust, easy to re-issue



Triton™

The Triton™ series by JCM offers individuals who have extensive and complex seating and postural needs the opportunity to get active with others and their surroundings. Its unique combination of design, form and functionality is underpinned by years of experience, continuing

development and a commitment to helping children, young people, adults and their respective carers achieve greater levels of independence. Triton™ makes a real difference to users' lives – enabling them to experience a wider range of activities.

Triton™ is therefore a socially inclusive seating system that meets the functional and clinical needs of the user and has been designed and developed with a broad spectrum of customers and their many different environments in mind.

- Superior Dynamix & True Modularity
- Clinical flexibility for client individuality
- Cost effective, robust, easy to re-issue



Available from
infant to adult



“Our clients are individual and we expect our products to represent that”

“Supports drive for efficiency + re-issue”



Triton™ Modular Design



Low.



Moderate.



Complex.

Triton™ is the most versatile, modular seating system on the market today. With great features, including the detachable back and leg rests, it is quick and easy to configure and provides a seating system to meet the exact specification of the end user. Available with or without dynamic seating options, i.e. back and/ or footplate option, Triton™ accommodates clients with basic through to very complex needs.

Standard Features

- Removable backrest
- Multi directional sacral pad to accommodate rotation in the hips
- Adjustable seat length - 15cm each side
- Adjustable back height
- Width adjustment
- Back angle adjustment, separate to tilt in space
- Adjustable angle leg rest mounting - facilitates uni-lateral positioning
- Removable footplate, modular and dynamic - accommodates full range + uni-lateral tone
- Choice of flat, ramped or contoured seat cushion
- Only three sizes each covering 15cm of femoral growth



Detachable Back

Quick disengagement of the upper back assembly; assists with transportation and client transfer.



The versatile modular design enables you to build Triton™ to any size and specification.

Accessories



Multi adjustable headrest



Shoulder protraction pads



Lateral/Flexi trunk supports



Adjustable arms



Abduction pads



Adduction pads



Hip pads



Split seat cushion



Dynamic footplate



Split flip-up footplate



One Piece/Single footplate



Ankle Huggers



Grab post



Activity frame



Tray (Grey or Clear)



Grab rail



For the JCM range of Xtra pressure and positioning options, turn to page 92

Triton™ Dynamix®

International Patent

Superior Dynamics

The unique dynamic back is easily adjusted to control the level of resistance the user feels as they extend in the chair. This mechanism is not a spring action, as commonly used on dynamic chairs, but is air pressure controlled and the rebound is also adjustable so the back moves in harmony with the user rather than pushing them forward as they relax. These features, unique to Triton™, give the chair a controlled, gentle movement with the flexibility to adjust the system as the user grows or presents differently.

The dynamic mechanism works independently to the chair's reclining back. A locking function can be simply engaged for periods of feeding, transferring and transportation.

- Air Pressure Controlled
- Adjustable
- Works in harmony with the user





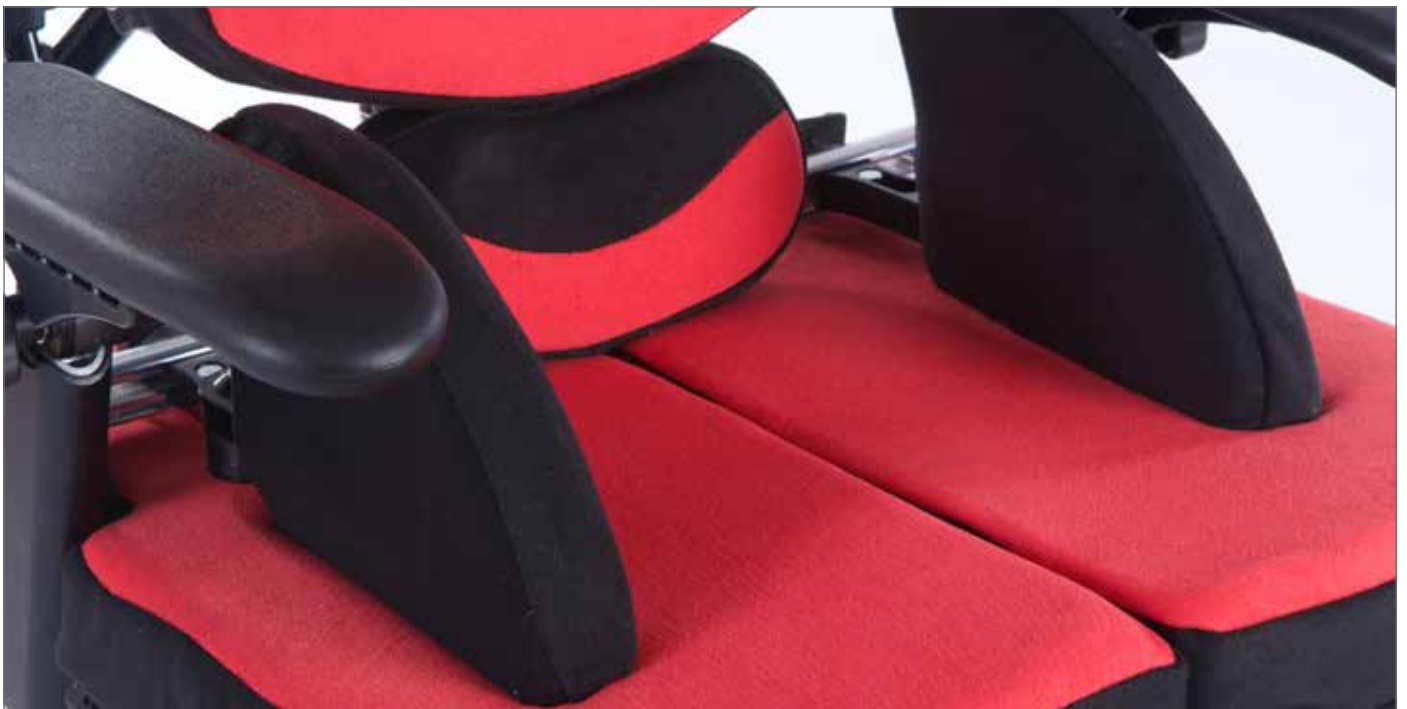
Triton™ Dynamix® International Patent

Controlled Pelvic Positioning

In conjunction with the hip supports and superior foams on the cushion, the wide range of adjustment in the sacral pad allows you to position the pelvis accordingly. As well as accommodating adjustment for anterior and posterior positioning, the sacral pad can be adjusted to accommodate rotation. This can be used to support a fixed position or assist with de-rotating the pelvis, with cushion options it assists obliquity, likewise options are available for more complete pressure care situations assessed on an individual basis.

Complementary Ergonomics

In relation to the seat reclining tilt in space and dynamic back functions, the sacral pad works independently. This helps maintain a good position at the pelvis as the backrest moves.

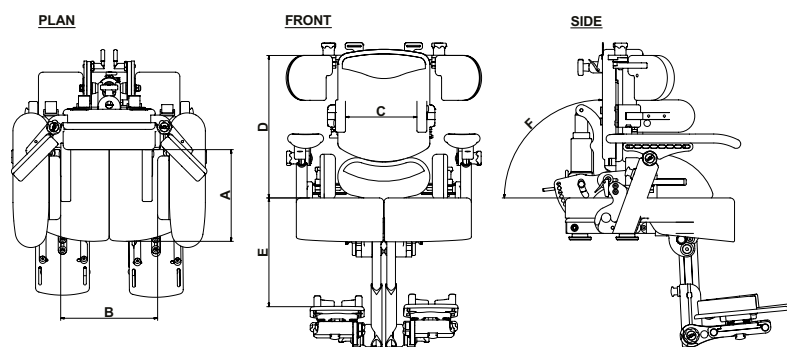


Dynamic Footplate

Four independent springs allow the footplate to move in any direction. This feature improves user's sensory experience and for heavy users creates a more robust footprint providing longevity in the product. This is achieved whilst also maintaining a full range of movement and adjustment through plantar/dorsi flexion.



Technical Specification



MEASUREMENTS	TRITON 0		TRITON 1		TRITON 2		TRITON 2L		TRITON 3	
	MIN	MAX	MIN	MAX	MIN	MAX	MIN	MAX	MIN	MAX
(mm)										
Seat Depth (A)	150	275	200	350	300	450	415	565	415	565
Seat Depth Split Seat	N/A		200	350	300	450	415	565	415	565
Seat Height (from floor)	420 (MHT)	810 (MHT)	420 (MHT)	810 (MHT)	420 (MHT)	810 (MHT)	420 (MHT)	810 (MHT)	420 (MHT)	810 (MHT)
Seat Height from Floor	Base Interface Height + 80mm									
Seat to Top of Back (D)	290	375	300	440	390	560	480	680	480	680
Seat Width	260		315		395		395		475	
Seat Width Between Hip Pads (B)	125	225	170	250	220	330	220	330	300	400
Seat Width Between Hip Pads (Optional 50mm pad)	75	175	120	200	140	250	140	250	250	350
Thigh Guides adjustment	200	340	240	350	300	450	300	450	250	450
Width Between Trunk Lateral Supports (C)	125	220	150	270	190	315	320	450	320	450
Width Between Trunk Lateral Supports (In Rig)	65	155	100	220	140	265	140 (In Rig)	265 (In Rig)	280	400
Seat to Footplate (E)	100	180	130	310	200	380	270	450	270	450
Footplate Angle	-90°	25°	-90°	25°	-90°	25°	-90	25°	-90°	25°
Armrest Height from seat	100	160	140	240	140	240	140	240	140	240
Armrest Angle	50°	50°	50°	50°	50°	50°	50°	50°	50°	50°
Push Handle Height	760 (CMPCT) 860 (MHT)	1010 (CMPCT) 1240 (MHT)	860 (MHT)	1240 (MHT)	860 (MHT)	1240 (MHT)	860 (MHT)	1240 (MHT)	860 (MHT)	1240 (MHT)
Tilt in Space	15° prone	25° Tilt	15° prone	25° Tilt	15° prone	25° Tilt	15° prone	25° Tilt	15° prone	25° Tilt
Back Angle Recline (F)	5° (prone)	40°	5° (prone)	40°	5° (prone)	40°	5° prone	25° Recline	5° (prone)	40°
Leg Rest Elevation	30° (prone)	90°	30° (prone)	90°	30° (prone)	90°	30° (prone)	90°	30° (prone)	90°
Base Footprint	610 X 780 (CMPCT) 590X790 (MHT)		590X790 (MHT)		590X790 (MHT)		590X790 (MHT)		590X790 (MHT)	
Ground Clearance with standard Castor fitted	60mm (MHT)		60mm (MHT)		60mm (MHT)		60mm (MHT)		60mm (MHT)	
User Weight	41KG (Compact Base) 46KG (MHT)		60KG (MHT Only)		60KG (MHT Only)		80KG (MHT Only)		80KG (MHT Only)	
Approx. Weight of Seat	11kg		14.5kg		19.1kg		19.1KG		22.5KG	

Please ask your local Product Specialist for our latest fabric choices.