

Triton

INSTRUCTION MANUAL



CONTENTS

Introduction.....	3
Where to find the Serial No & Size Labels	3
Measurements & Useful Info	4
Seating System Components.....	5
Important Safety Advice.....	6
Important Safety Advice -(Accessories).....	7
Operating Brakes (Indoor Base Frames).....	7
Important - Chest Harness Adjustment.....	8
Important - Lap Strap Safety	9
Useful Info - Adjustment Points & Lever Use.....	10
Lever Use - Using Index Plungers.....	11
Adjusting Shoulder Protraction Pads.....	11
Mounting of Seating Unit.....	12
Removal of Seating Unit.....	13
Manual Seat Height Adjustment (Multi Height & Tilt Base).....	13
Powered Base Height Adjustment (upgrade option)	13
Tilt In Space (Multi Height & Tilt Base).....	14
Folding Push Handle (Multi Height & Tilt Base).....	14
5 Star Base Adjustments	15
Back Angle Adjustment	16
Back Height Adjustment	16
Seat Depth Adjustment.....	17
Fitting a Tray.....	18
Sacral Pad Adjustment	18
Hip Pad Adjustment.....	19
Thigh Pad Adjustment	20
Headrest Adjustment	22
Lateral Support Adjustment	23
Arm Rest Adjustment.....	24
Legrest Adjustment & Removal– Split Option.....	25
Foot Positioning Adjustment.....	26
Setting Up the Dynamic Back Mechanism	28
Cleaning & Care	30
General Maintenance	30
Servicing via Approved Repairer	31
Service Record Log.....	32
Warranty	33
Inspecting & Reissuing of Equipment.....	34

Introduction

The Triton is designed to provide comfort and postural support. The system is available in five sizes to accommodate children from as young as 6 months through to adult.

This instruction manual contains very important information about the Triton seating system, how to use it safely and obtain the best results from it. Please read all the information contained in this manual before using the chair and retain for future reference. Ensure everyone using the equipment is aware of the contents of this manual and understands how to use the equipment safely.

These instructions provide guidance on the adjustments for professionals, but they also give information on how the equipment should be safely used, maintained, checked, and correctly assembled by anyone who uses the seating system.

In every case the equipment should be supplied via qualified professionals who will have adjusted the equipment, checked its compliance and tested it appropriately.

The seating system should only ever be adjusted by qualified professionals and persons that are suitably trained. For further information please do not hesitate to contact us - all contact details are on the back cover of the manual.

Thank you for purchasing our product, we hope you enjoy your new seating system.

Where to find the Serial No & Size Labels

Serial Number

Located at the lower back of the seat on the inside of the back angle adjustment section.



Handle Size

Located on the right hand side of the handle where the handle feeds beneath the seating unit.



Seating Unit Size

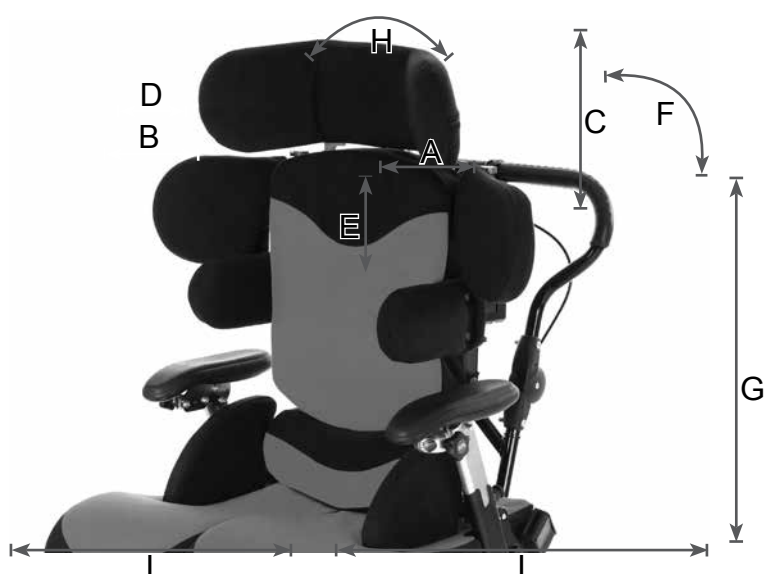
Located on the right hand side underneath the seating unit, just above where the leg rest joins.



Measurements & Useful Info

MEASUREMENTS (mm)	Triton 0		Triton 1		Triton 2		Triton 3		Notes
	MIN	MAX	MIN	MAX	MIN	MAX	MIN	MAX	
A Seat Depth	150	300	200	350	300	450	400	550	
B Seat Width (Between Hips)	125	225 (290)	150	250 (315)	230	330 (395)	310	410 (475)	(mm) - When Hip Pads Removed
C Seat to Top of Shoulder	260	360	300	440	390	560	480	680	
D Chest Breadth	125	225	150	270	230	350	310	430	
E Seat to Footplate	120	300	190	370	260	440	330	510	Leg Length has 2 Settings to Achieve Min/Max
F Seat to Back Angle	25° Recline				5° Forward				
Seat Weight	13.5 kgs		14.5 kgs		17.0 kgs		19.5 kgs		Guideline (inc Arms, Hips, Lats, Footplates)
Load capacity	100 kgs								Always Refer to Chassis Capacities
Age Guideline	3 months - 3 years		4-9 years		8-13 years		12-adult		
Measurements when fitted to Multi Height & Tilt Base									
G Seat to Floor	75mm Castor: Min - 325 / Max - 785				100mm Castor: Min - 355 / Max - 815				100mm is Standard
H Tilt / Prone Angle	25° Tilt / 15° Prone								
I Base Footprint	740 x 570mm								

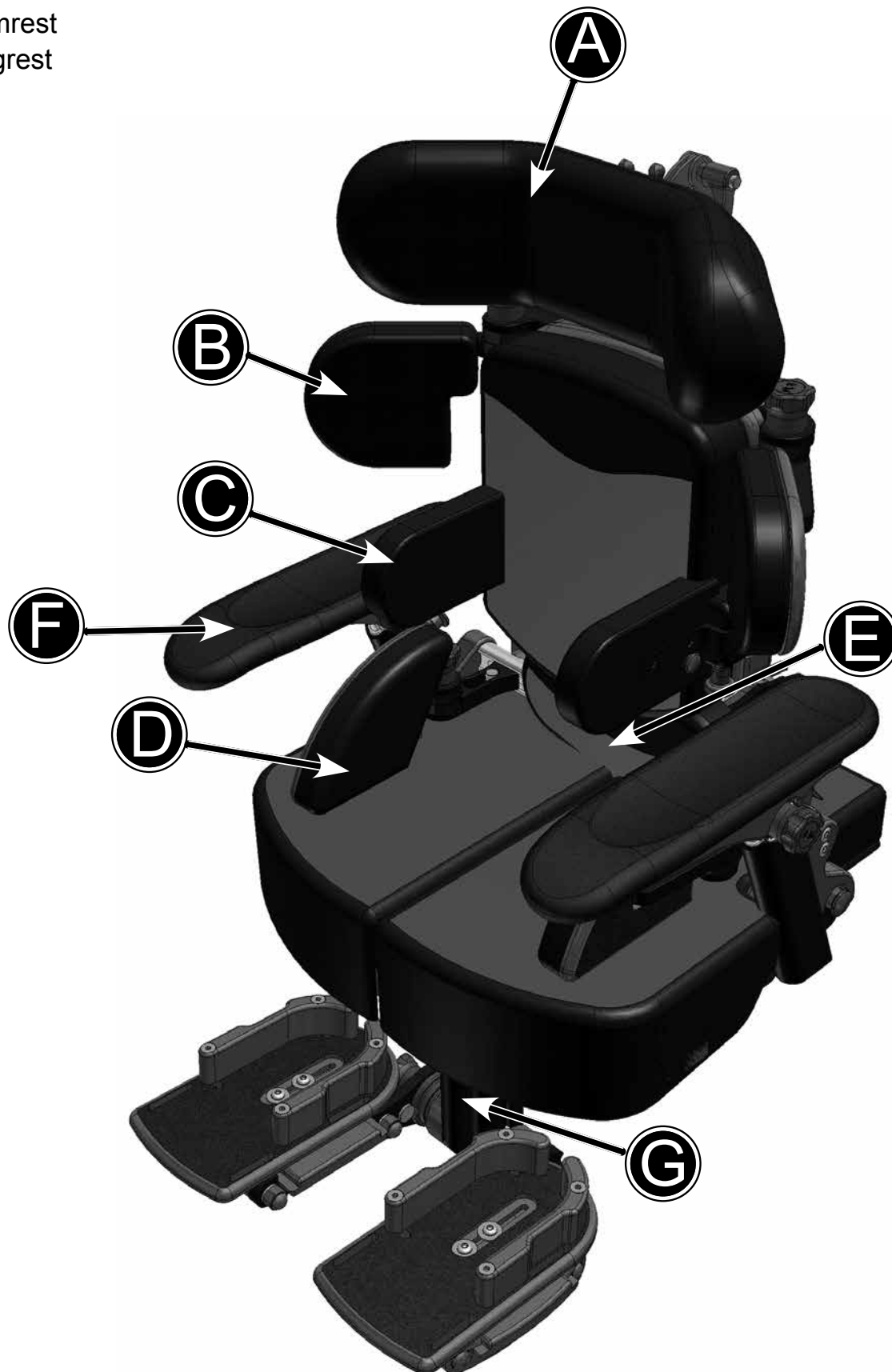
The Triton is a modular seating system where at assessment the selection of Seat, Back and Leg Widths & Lengths can be specified. The Seating system will then be built to ensure best fit & maximum growth from the outset. Dimensions provided here provide guidance on the standard sizes available.



Please note that all measurements given are for indication only. JCM can tailor the chair to your precise requirements. Our Product Specialists will assess your child to ensure the chair is fit for purpose both now and for the future.

Seating System Components

- A Headrest
- B Shoulder Protraction Pads
- C Lateral Supports
- D Hip Pads
- E Sacral Pad
- F Armrest
- G Legrest



Important Safety Advice



We at JCM are committed to producing products of the highest standard. All of our products fulfil the essential safety and environmental requirements as defined in the European Directives. However, improper use of the products will potentially put the users at risk and therefore JCM strongly suggest that the following information is strictly adhered to at all times.

Throughout the manual there are important points to note identified by the symbol:



- Ensure all adjustment mechanisms are secure and in place before operation. If it is likely that the hand-wheels will be repeatedly loosened, JCM can supply allen key bolts as an alternative. We strongly recommend this if there is a danger from those in the vicinity of the user.
- After completing any alterations ENSURE all nuts, bolts, knobs, hand wheels and other fixings are securely tightened and in position, and that they are regularly checked as part of the maintenance of the chair. Never over adjust or over tighten moving parts.
- All postural support straps and harnesses should be in place and properly adjusted to the user, prior to usage of any kind (see pages 8 & 9).
- When fitted to an indoor base frame the Triton should always be positioned on a level, flat floor. The Triton chair can be moved between one working area and another. For safety ALWAYS return the product to a neutral position and lower before moving (lower in height, level the seat, ensure the back is upright etc). After the chair has been moved and during use the chair should be placed in a static position with the brakes applied. Indoor base frames such as the multi height and tilt base are designed to be used inside, however it is acceptable to take these bases externally for a brief period if transferring the chair from one indoor area to another.
- Heavy items on the tray will affect stability. The fitting of anything other than the standard JCM tray may substantially affect the stability of the seating system and should therefore be checked before issue.
- If at any time it is noted that areas of the users skin remain reddened after being out of the seating system for around 10 minutes, urgently contact the qualified professional who performed the hand over of the equipment. This may be a sign of excessive pressure being exerted by the seating. This might occur in the initial use of a new seat where further adjustment may be required, where the user has been badly placed, grown or where an underlying medical problem exists. Review may be necessary in such cases
- Keep all products away from excessive sources of heat, cigarettes and naked flames.
- If you suspect that the system may be faulty, cease use of the equipment straight away and immediately contact the organization who supplied the system. (JCMs contact information can be found on the back cover).
- The equipment will be labelled with important information. NEVER REMOVE these information labels or allow them to be defaced, overlaid or altered.
- All modifications, adjustments, reconditioning, repairs, disposal, and servicing of the seating unit must ONLY be carried out by the agencies who supplied the equipment (see pages 30-31).

Important Safety Advice -(Accessories)

Multi Adjustable Head support

Wings on the head support are ideally set at 45 degrees. Do NOT bring the wings in tight to the head. Ensure that the head support is set in such a way that the child cannot loop their head around the wings and get stuck.

Flexi-Supports and Lateral Supports

Ensure the straps do not infringe on any feeding tubes the child may have.

Abductors

These parts are designed to abduct the users knees to help keep the hips in a good position. Do NOT use the abductors as a way of holding the user in the seat. Flip down the abductor when transferring the user in and out of the seat.

Foot Sandals and Straps

Should only be fixed when the user is wearing shoes or boots.

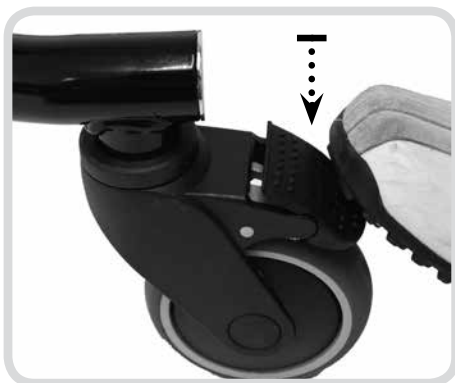
Tray

- Do NOT use the tray as a way of securing children in a chair always ensure that the lap strap and any other straps supplied are used. Ensure that the tray clips are secure on both sides of the tray. If the tray is damaged, ensure that this will not be a hazard to the user. Never leave hot items on the tray while children are unattended.

Operating Brakes (Indoor Base Frames)

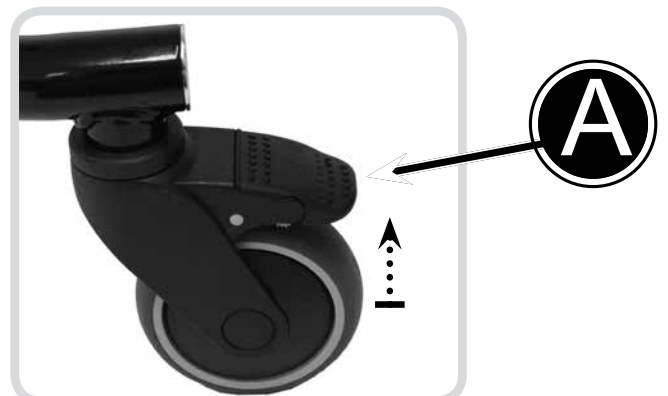
Applying Brakes

Depress lever (A) with your foot. To secure the chair in place you should suppress all the brakes fitted to the wheels on the base.



Releasing Brakes

To release the brakes you should flick the levers up using the top of your foot. When all brakes are released the chair will be free to travel in any direction.



Always apply the brakes while the chair is stationary.

Important - Chest Harness Adjustment



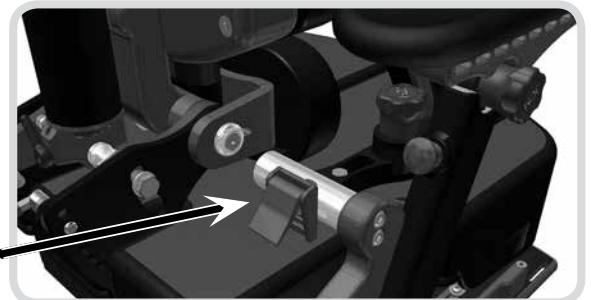
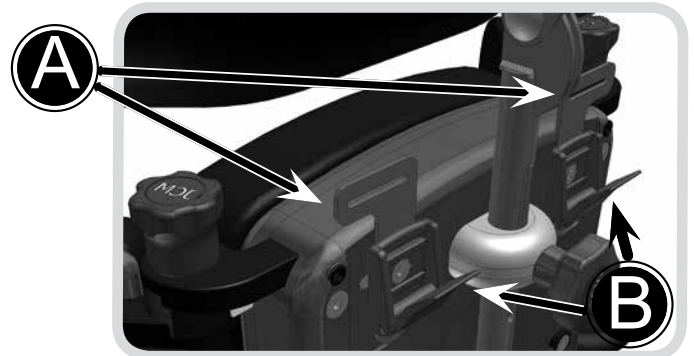
GREAT CARE should be taken when fitting a chest harness and the following points should always be followed:

- The straps on the harness should never be allowed to move close to or in any way cause an obstruction to the child's neck.
- The straps should never be fitted too tightly and should be clear from any obstruction.
- The sternum strap on the chest harness should always be adjusted prior to use to ensure that it is no higher than the middle of the user's chest.
- A lap strap should always be fitted if a harness is being used to ensure the child cannot slide down onto the sternum strap.
- Always ensure that the belts offer your child both comfort and support. If the child's clothing has been adjusted (i.e. a jumper removed) the straps should be re-adjusted accordingly.



Fixing Onto Chair

- The Triton comes with guide plates for the top straps which are located either side of the upper back (A). The webbing strap should be fed through these guides and then adjusted and secured in place using the cam buckle clasps (B) directly beneath the guide plates.
- The straps at the bottom of the harness should be fed through, adjusted for fit and then locked using the Cam Buckle Clasp (C) located on the hip pad rail.



Fastening of Belts

- Feed the fabric belt through the buckle on the strap.
- The belts should be pulled through enough to suitably support your child whilst still being comfortable.
- When this has been achieved the buckle should be snapped closed to secure the strap in place.



The same precautions highlighted here should be adhered to when using any form of trunk supports or flexi supports with straps.



If there is any possible chance of the child getting the straps caught around their neck, REMOVE THE HARNESS IMMEDIATELY.

Important - Lap Strap Safety



Incorrect fitting of lap straps can put the user at serious risk. When using lap straps we recommend the following points should always be adhered to:

Lap Strap Fitting

The angle that the hip belt is attached to the seating system has a direct effect on the angle of pull on the pelvis.

Considerations:

- A 60° angle of attachment to the seat rail positions the hip belt anterior and inferior to the ASIS, which reduces the tendency of the client with a posterior pelvic tilt to slip underneath the belt.
- A higher angle of attachment of the primary straps encourages a posterior pelvic tilt, which assists in positioning clients with an anterior pelvic tilt.
- The secondary straps of a 4-point hip belt are attached to the seat post between 45° and 90° to hold the primary padded strap in place and to prevent the belt from riding into the abdomen or twisting.
- The angle of attachment may have to be compromised in order to accommodate such situations as wounds in the pelvic area, unstable hip joints or gastric tubes.

Tightening the belt

Keep belt tightened at adjustment straps during fitting and daily use to ensure correct pad placement. For padded hip belts the pads are to be touching when correctly tightened. For non-padded hip

belts the adjustment strap at the buckle should be approximately 3" (76mm) long. Education of the care giver is essential for correct hip belt positioning.

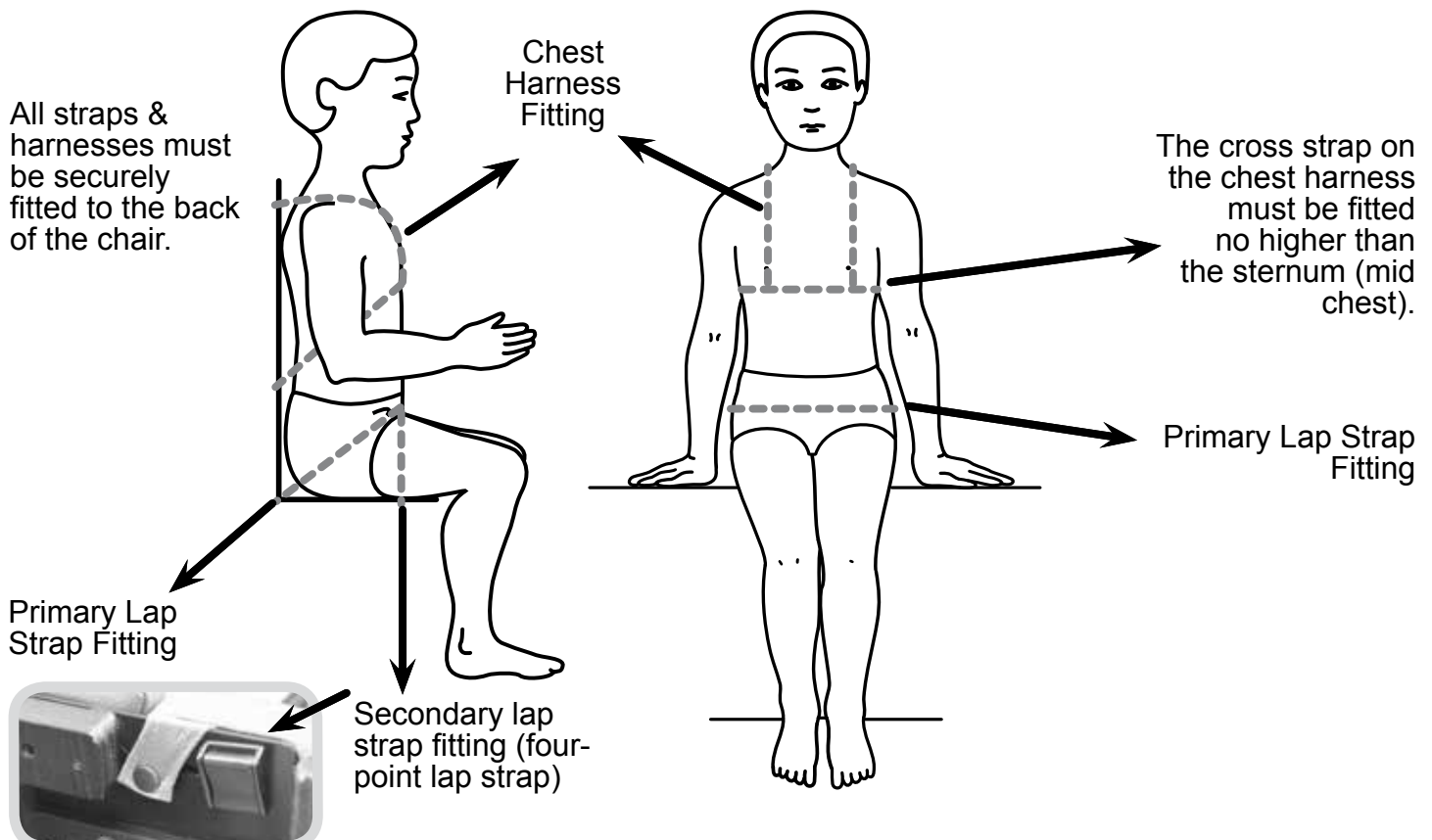
Sizing

Measure hip width to determine the belt size required. The suggested method for measuring hip width is from trochanter to trochanter. If this is not possible, measure from ASIS to ASIS and add a couple of inches. The correct belt size for the individual has padding that covers all of the bony prominences.

- Always check that the child's pelvis is symmetrical and positioned securely at the back of the seat.
- Always ensure that the lap straps and chest harness hold the child securely and are comfortable. Ensure they provide a snug fit, a simple rule of thumb is to allow two fingers to be inserted between the belt and the child's body.
- Never leave a child in a chair unattended without the lap strap being fastened.
- A lap strap should always be fitted if a harness is being used.
- When altering the angle between the seat and the back of the chair always re-adjust the chest harness and lap strap accordingly to ensure all safety recommendations are followed.

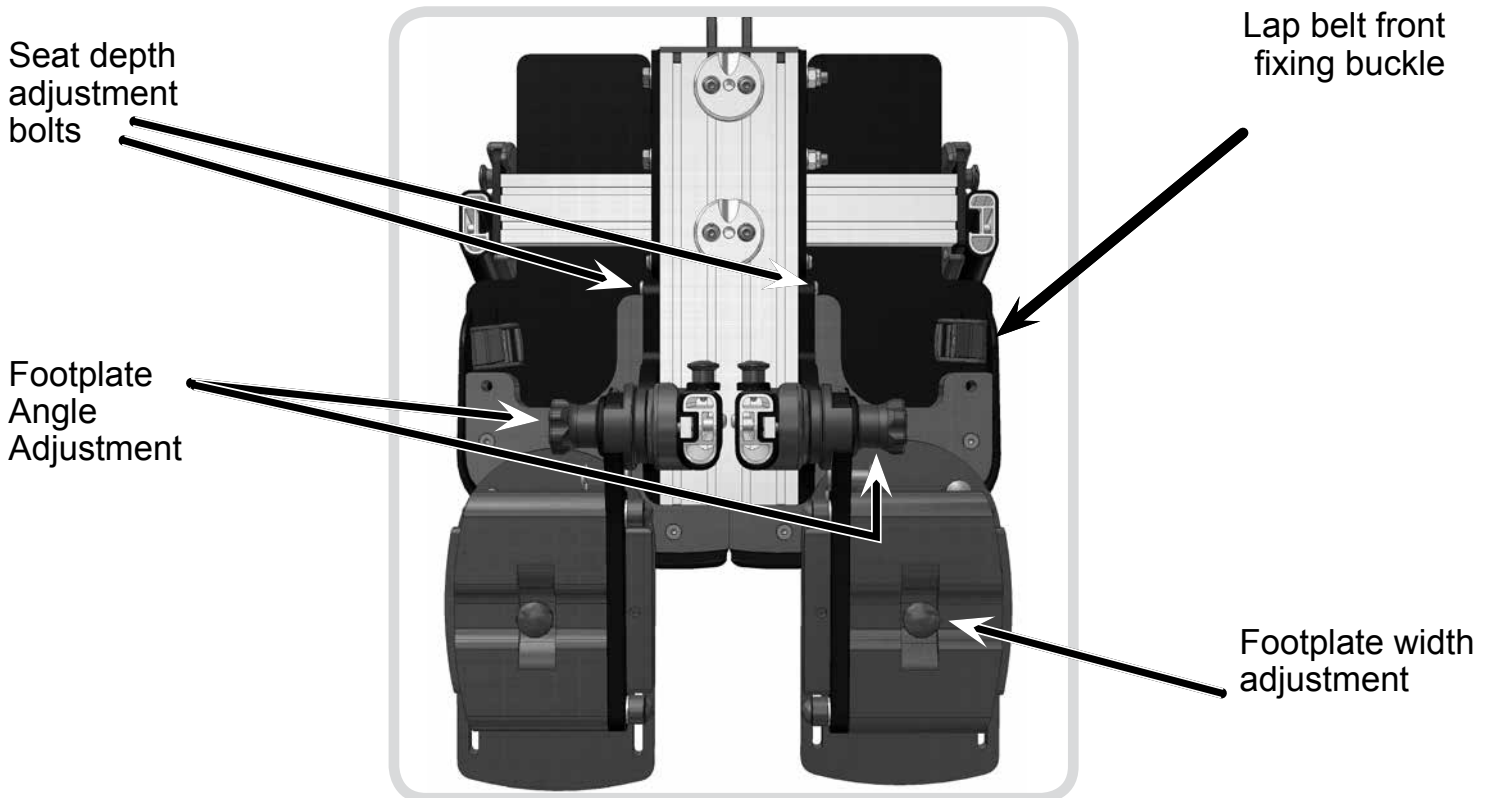
Harness and Lap Strap Positioning

This diagram shows the recommended positioning of the chest harness and lap straps:



Useful Info - Adjustment Points & Lever Use

Adjustments Points Underneath Seat



Effective Operation of Lock Levers (Where Fitted)

Never remove these levers entirely as this will prevent you from being able to perform adjustments in the future.

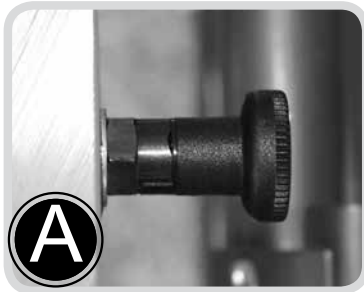
- To use: Turn the lever handle clockwise to tighten or anti clockwise to loosen.
- To use the lever when an obstruction is met: Pull the handle of the lever outwards, towards you (A). This disables the function of the lever.
- Continue to hold the lever out and reposition the lever handle in a suitable position past the obstruction.
- Release the handle to re-engage the lever function (B) and continue to tighten or loosen in the normal way.
- Repeat this procedure in areas where adjustment is restricted due to an obstruction.



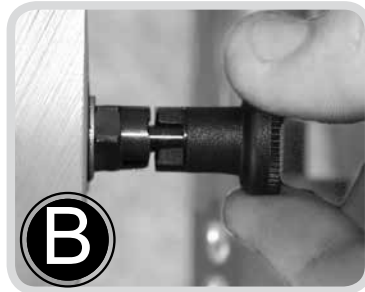
Lever Use - Using Index Plungers

Using the Index Plungers (Locking Variety Only)

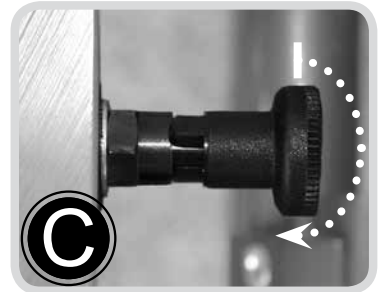
- To place the plungers in an open position - Pull out the plungers to maximum tension and turn them through a half turn anti-clockwise (B). This places them in an open position (C).



LOCKED



TURN



OPEN

- To close - Turn the plungers a half turn clockwise and they should snap back into a locked position (A).

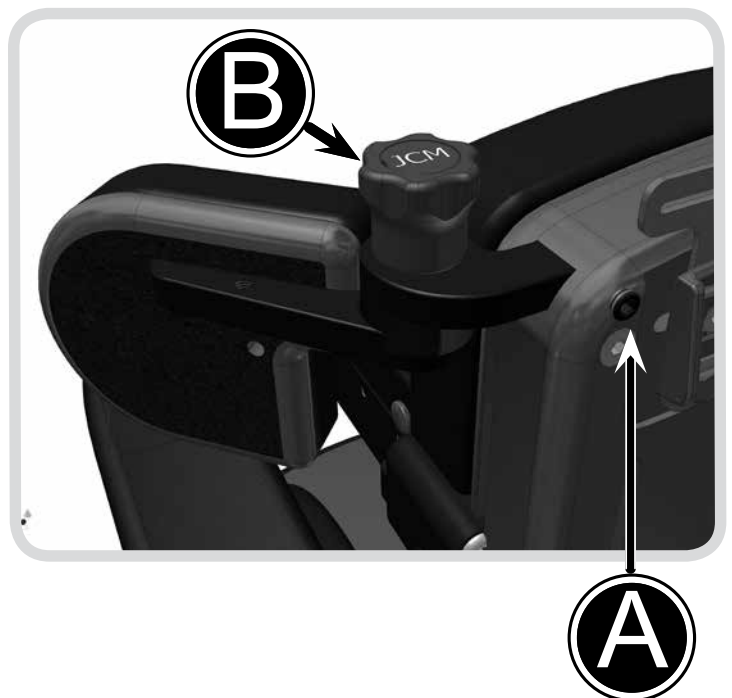
Adjusting Shoulder Protraction Pads

Pad/ Shoulder Width

- Turn locking screw (A) half a turn using the 4mm Allen Key provided, manually position the pad to fit the user by sliding the pad in or out.
- Lock the pad in place by re-securing locking screw A.

Pad/Protraction Angle

- To set the angle of the pad you should loosen the securing handwheel (B) by rotating a couple of turns in an anti-clockwise motion. Once released the pads can be positioned by pressing down on the handwheel whilst simultaneously altering the angle of the pad using your other hand.
- Once the desired position has been achieved you should release the handwheel and resecure it by turning in a clockwise direction until hand tight.



Pad Angle – As an Alternative you can position the pad without pressing down the handwheel, though this has potential to shorten the life of the locking mechanism and is therefore not recommended.



Mounting of Seating Unit



Always ensure the base is stable and that the brakes are applied before mounting the seating unit.



Please note that the handle fitted is dependent on the size of the chair. You therefore need to ensure the size label on the handle matches the size of the chair being used.

- There are 2 cut outs on the top of the interface plate (A) which are for locating lugs (B) on the seating unit to fit into.



- Position the seating unit above the interface plate, lining up the locating lugs (B) with the cut outs (A) on the interface plate.
- Carefully lower the seat onto the interface plate ensuring the locating lugs (B) slide into the cut outs on the interface plate (A).

- Push the seating unit inwards towards the back of the chair until the locating lugs 'click' into place.
- Ensure the seat is securely located on the base before using.



View from the side showing the seating unit lugs lowering into the interface plate cut outs.



View of seat engaged with the base.

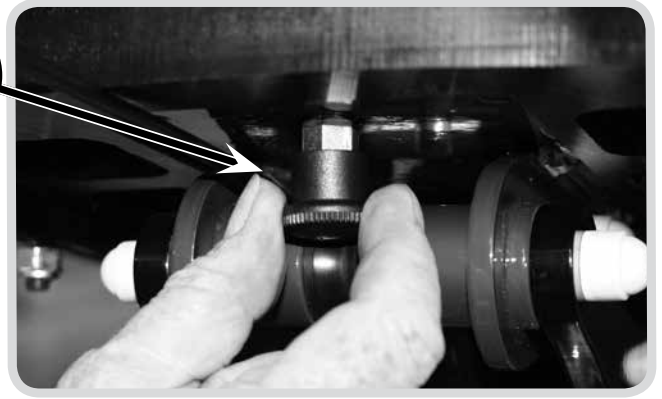
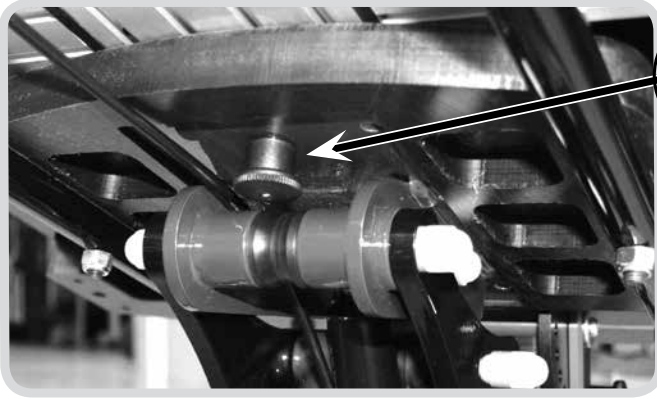


Always ensure that the locating lugs are fully engaged and that seat is securely locked in place and secure on the base before using.



When mounting the seating system to a base for the first time, or when an adjustment has been made to the size of the system, a stability assessment should be carried out prior to use of the equipment.

Removal of Seating Unit



- Release index plunger (C) which is underneath the interface plate and slide seat forward to remove it from the base.

Manual Seat Height Adjustment (Multi Height & Tilt Base)

The multi height and tilt base caters for all sizes of Triton. It is controlled by a hydraulic pump mechanism.

To Raise The Chair

- Pump the foot pedal several times until the desired height is reached. (The chair will raise with each pump.)



RAISE
Pump down on pedal



LOWER
Lift pedal up with foot

To Lower The Chair

- Place your foot under the pedal and gently lift the pedal up. (The chair will automatically lower.)

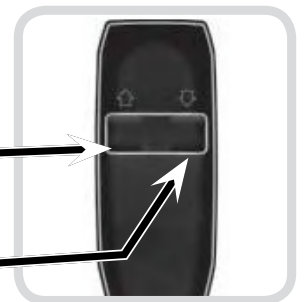
Powered Base Height Adjustment (upgrade option)

Button A

Up

Button B

Down

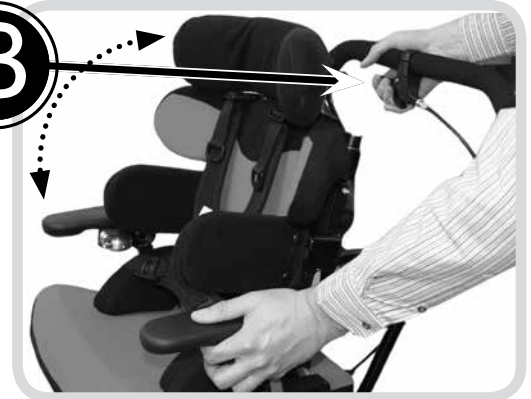
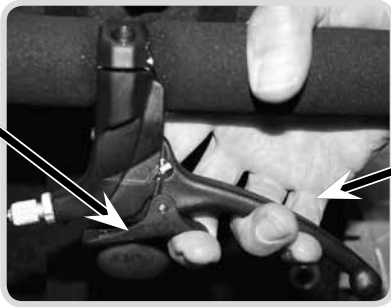


Always ensure that adjustment mechanism is free from obstruction before operating this chair.

Tilt In Space (Multi Height & Tilt Base)



Always ensure the base is stable and that the brakes are applied before performing the following adjustments.



- Release the locking mechanism on the handle by squeezing the small latch (A) up on the handle.
- To Recline:
Use one hand to squeeze handle (B) and push down the chair handle, at the same time use the other hand positioned on the chair arm or side to help guide the chair into the recline position.
- To put into Prone:
Squeeze handle (B) and pull the chair handle upwards and forwards. At the same time use the other hand positioned on the chair arm or side to help guide the chair into the prone position.
- Once in position release handle (B) to lock the tilt mechanism.

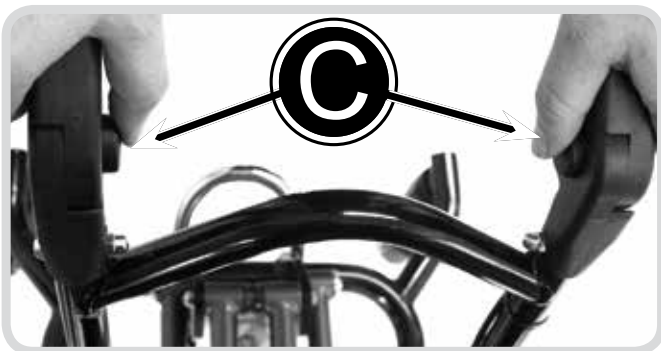


- Ensure that the latch (A) on the handle moves back into a closed position, this ensures the tilt position is locked in place.



The operator should control the motion of the chair while the squeeze handle is engaged. The amount of support required will vary with the size and weight of the user. We recommend practicing this operation on first use before placing the client in the chair.

Folding Push Handle (Multi Height & Tilt Base)



Only use the push handle to move the chair. The push handle should be folded down when not in use.

- Depress both buttons (C) on the inside of the handle.

- Manually alter the position of the handle by pushing the top section down.
- To unfold pull the handle up until you hear a click ensuring it is in place.



5 Star Base Adjustments



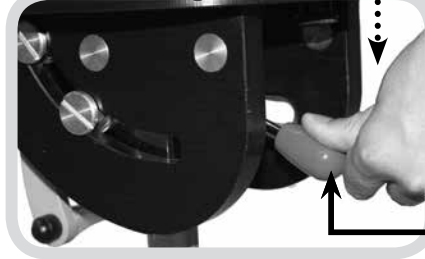
Always ensure the base is stable and that the brakes are applied before performing the following adjustments.

To Raise The Chair

Located at the back of the chair beneath the base locate the handle (A) and continuously push down to raise the height.

The seat height will raise with additional assistance required, dependent upon the weight of the user.

Release the handle when the desired height is achieved.



A

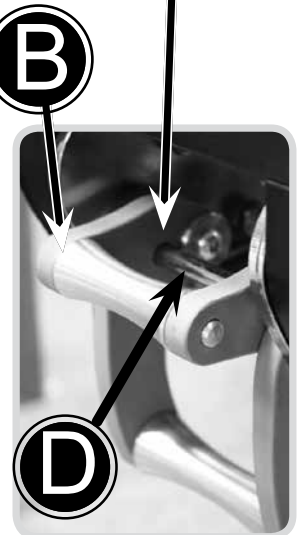
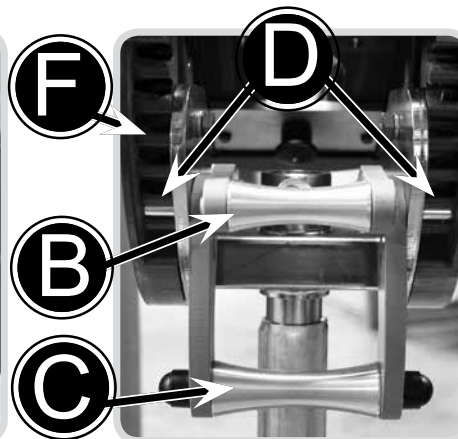
To Lower The Chair

Use the handle (A) again but this time apply pressure to the top of the seat whilst pushing down handle (A). If you find performing these actions difficult to do simultaneously on your own please get another person to help you.



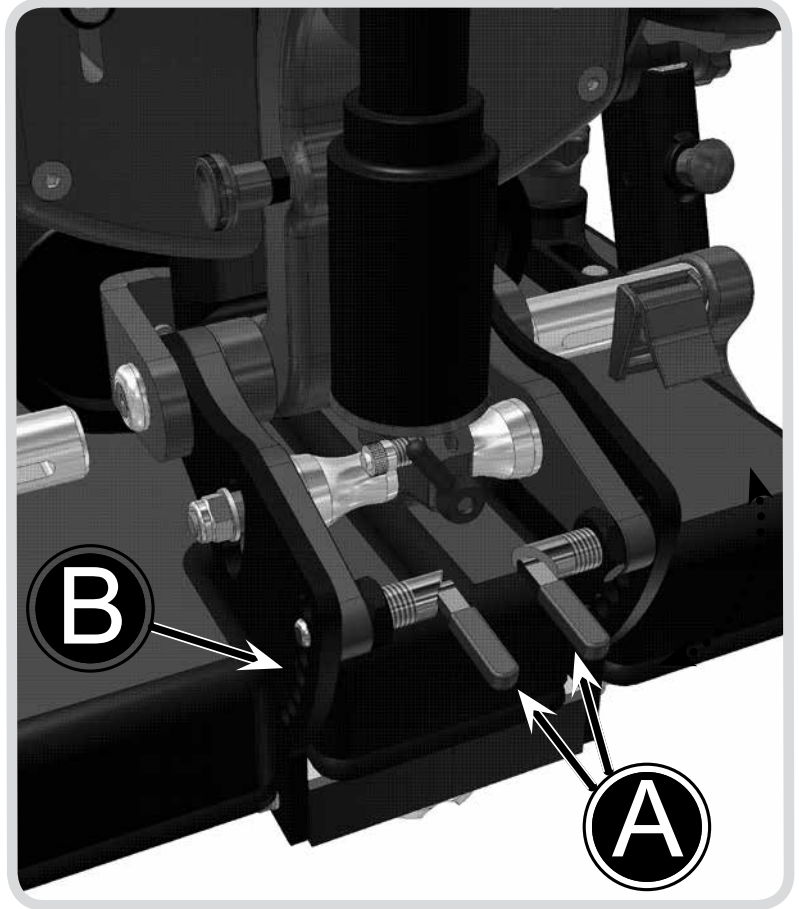
To Perform the Tilt in Space on the 5 Star Base

- Lift safety latch (B) up to prepare the base for the tilt adjustment.
 - Lift operation latch (C) up until it stops, disengaging bar (D).
 - Tilt the base interface to the desired angle.
 - The adjustment range can be seen via the groove at the side of the seat base.
 - When the desired angle has been achieved. Close operation latch (C) by pushing down until it bar (D) locates securely into a set position groove (F).
 - Push down safety latch (B) to prevent accidental operation of the
- tilt in space.
- Always ensure that the groove on the safety latch (B) is securely located onto the bar (D) to secure the seat into place.



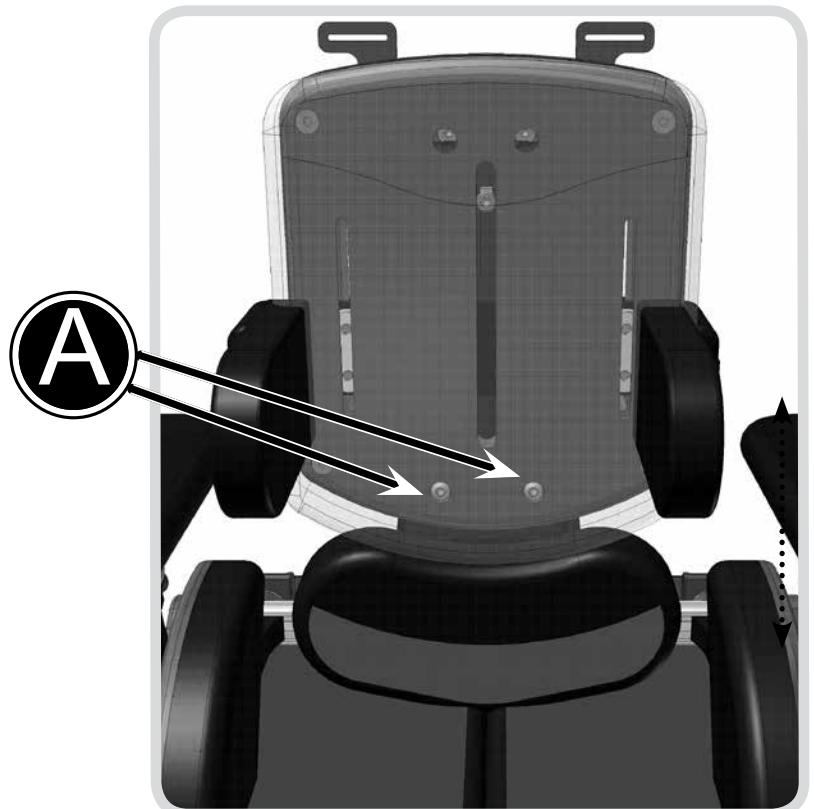
Back Angle Adjustment

- At the lower back of the chair squeeze together levers (A), this releases them from their holding position in holes (B).
- Whilst holding the levers together, hold the chair by the top of the back and guide the angle of the back into the required position.
- Relocate the levers into the relevant positioning holes (B) to secure the back in place.
- Always ensure that the back is secure and that the levers are located fully in a hole before using the chair.

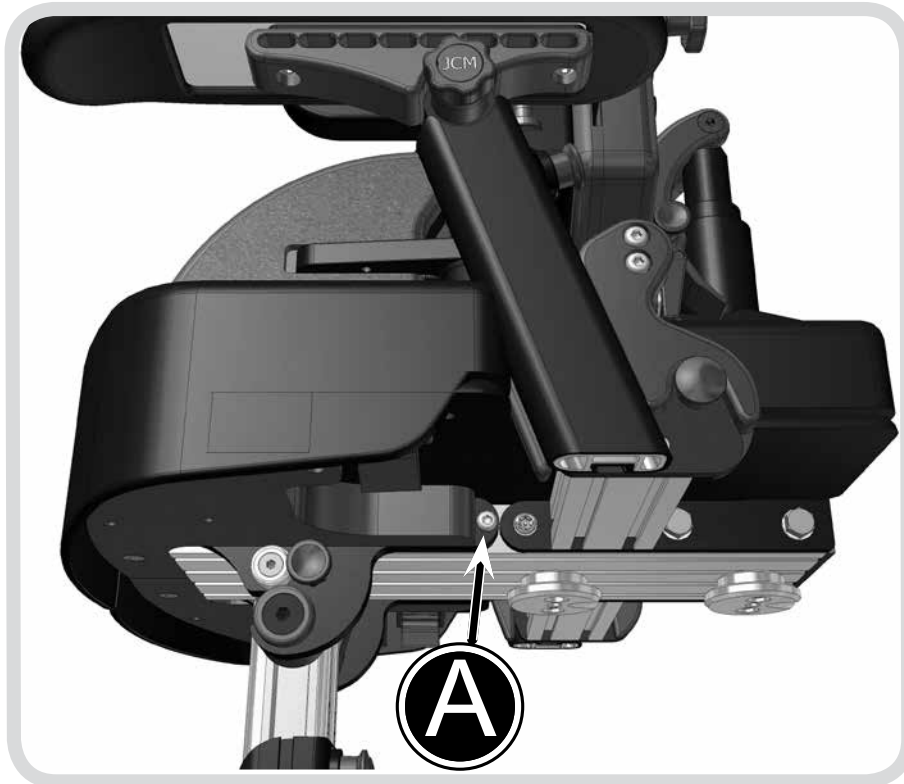


Back Height Adjustment

- Remove the back pad cushion which is held in place by press studs.
- Loosen the two allen key bolts (A) on the plastic back panel.
- Slide the plastic panel up or down to the desired height.
- Tighten the two allen key bolts securely.
- Replace the back cushion pad.



Seat Depth Adjustment



Note: The Triton Seat is Split into 2 halves (Left & Right) Follow the instructions below to adjust the seat depth for the user. If the user has a leg length discrepancy then you can adjust and lock off either sides of the seat at any point within their range (150mm)

- Loosen (do not remove) the allen key bolts (A) on both sides of the seat.
- Slide the seat in or out to change the length.
- Fix the position by tightening the allen key bolts securely.



When mounting the seating system to a base for the first time, or when an adjustment has been made to the size of the system, a stability assessment should be carried out prior to use of the equipment.

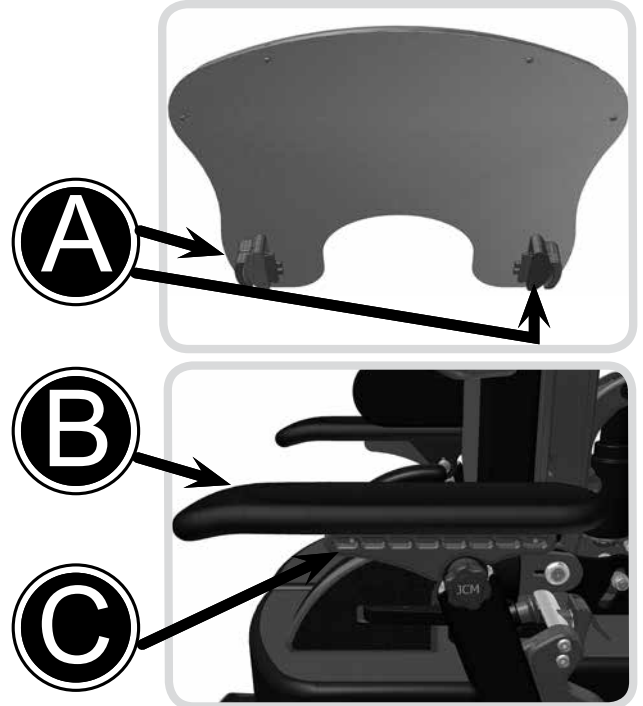


Once you have adjusted the seat length, always ensure these points are firmly fixed and are checked as part of maintenance of the chair.

Fitting a Tray

Note: Arms (optional accessory) are required in order to fit a tray.

- Pick up the tray from the front, holding from the top with the fingers of each hand engaged with the pull latches A on either side of the tray.
- Place the tray onto the arm tops B, sliding the tray in toward the occupant until the desired position is reached.
- Release the latches (sprung loaded) to engage them, ensuring the latch has fully locked into the closest available engagement position C on the underside of the Arm Top.
- Ensure both left and right latches are engaged and the tray is secure before commencing use of the chair.

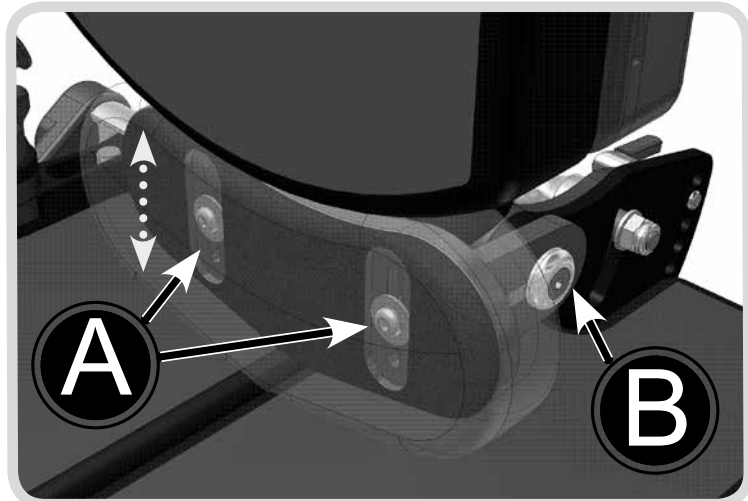


Always ensure that the arms are fixed in position and the tray is secure before leaving the user unattended. Never leave anything hot on the tray while the client is unattended.

Sacral Pad Adjustment

Pad Height

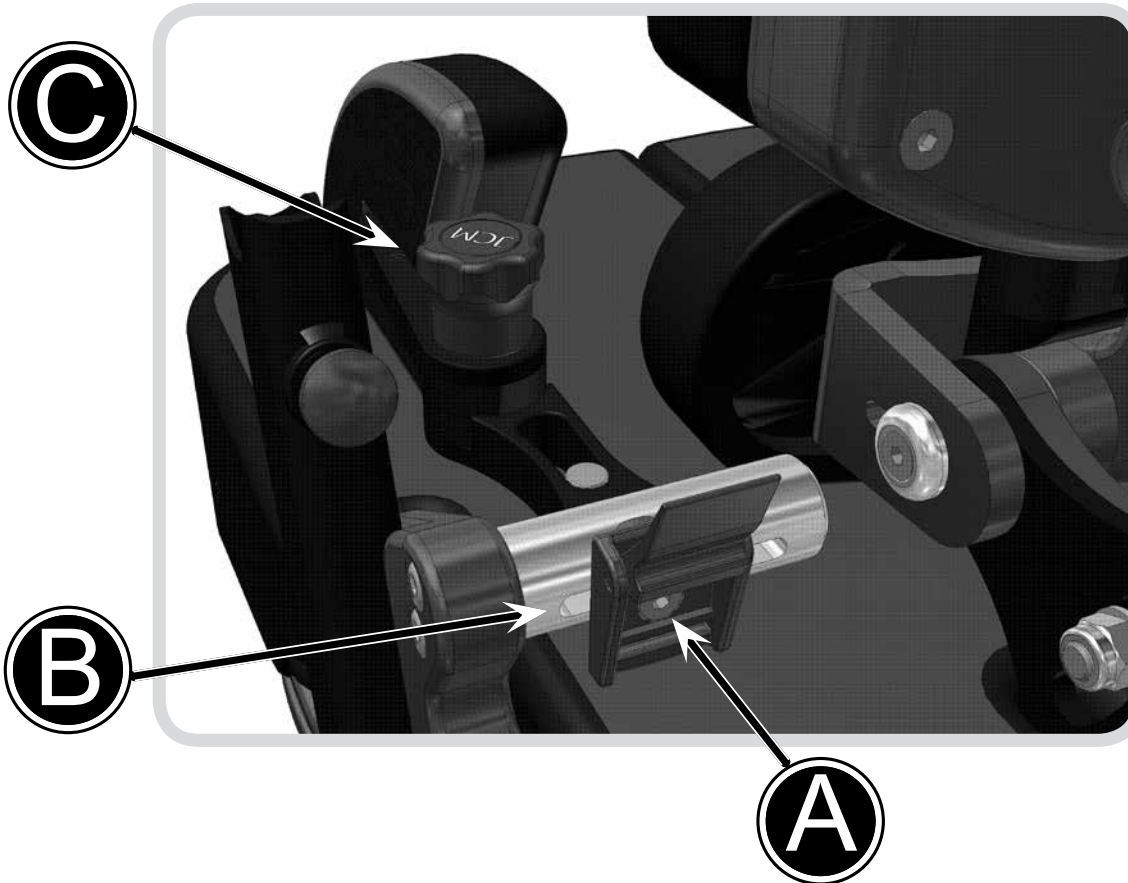
- Pull the cushioned pad away from the framework
- Loosen the allen key bolts (A) on both sides of the sacral pad (2 altogether).
- Move the pad up or down within the adjustment slot.
- Once in place tighten the bolts to secure.



Pad Angle & Depth

- Loosen Locking Bolt B by one full turn using the 4mm Allen Key Provided (Ensure this is complete for both left and right fixings)
- The Sacral Pad can now be freely moved for angle and fore & aft position.
- Set the desired position and then re-lock the fixing screws to secure the pad in place.
- Note: The Sacral Pad can also facilitate a degree of rotational adjustment – To achieve this you should adjust the fore & aft position of left & right sides independently.

Hip Pad Adjustment




Hip Pad Width

- Loosen Locking Bolt A by one full turn using the 4mm Allen Key Provided
- The Hip Pad can now be freely moved along the width adjustment rail B.
- Set the desired position and then re-lock the fixing screw to secure the pad in place.

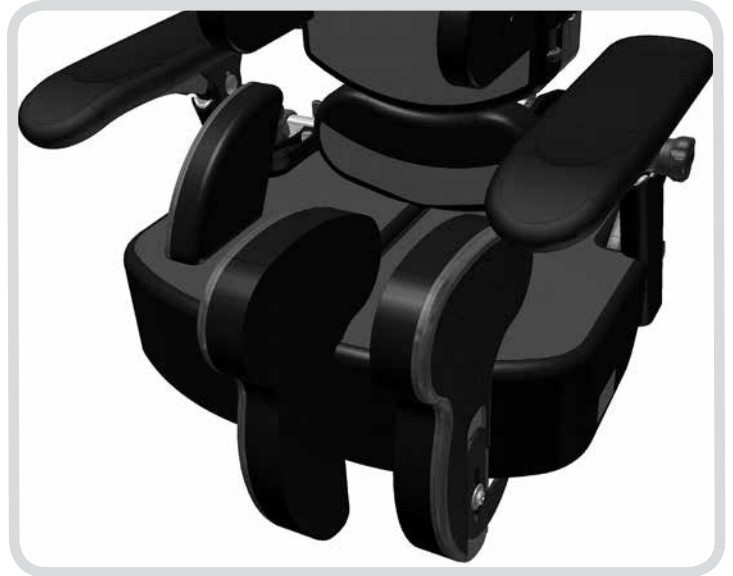
Hip Pad Angle (Where Fitted)

- To set the angle of the pad you should loosen the securing handwheel C by rotating a couple of turns in an anti-clockwise motion.
- Once released the pads can be positioned by pressing down on the handwheel whilst simultaneously altering the angle of the pad using your other hand.
- Once the desired position has been achieved you should release the handwheel and re-secure it by turning in a clockwise direction until hand tight.

Pad Angle – As an Alternative you can position the pad without pressing down the handwheel, though this has potential to shorten the life of the locking mechanism and is therefore not recommended) 

Thigh Pad Adjustment

These pads enable you to sit the client in an abducted position which can help to lower muscle tone, create a wider sitting base and maintain the hips in a good position.



Inner Thigh Pad Fitting & Adjustment

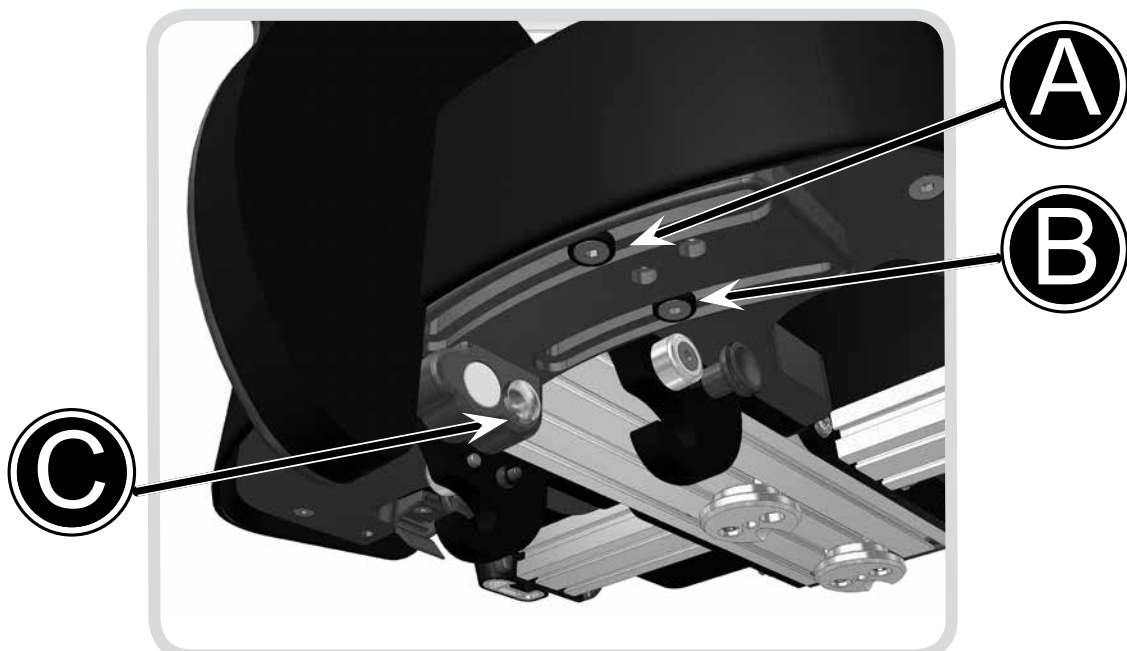
- To fit the inner thigh pads, Screws A complete with Washers B should be inserted through the carrier plate and into the dedicated holes on the underside of the Seating Unit.
- Tighten each screw using the 4mm allen Key provided.
- Once held on (but not fully locked off) you can continue to set the other adjustment.

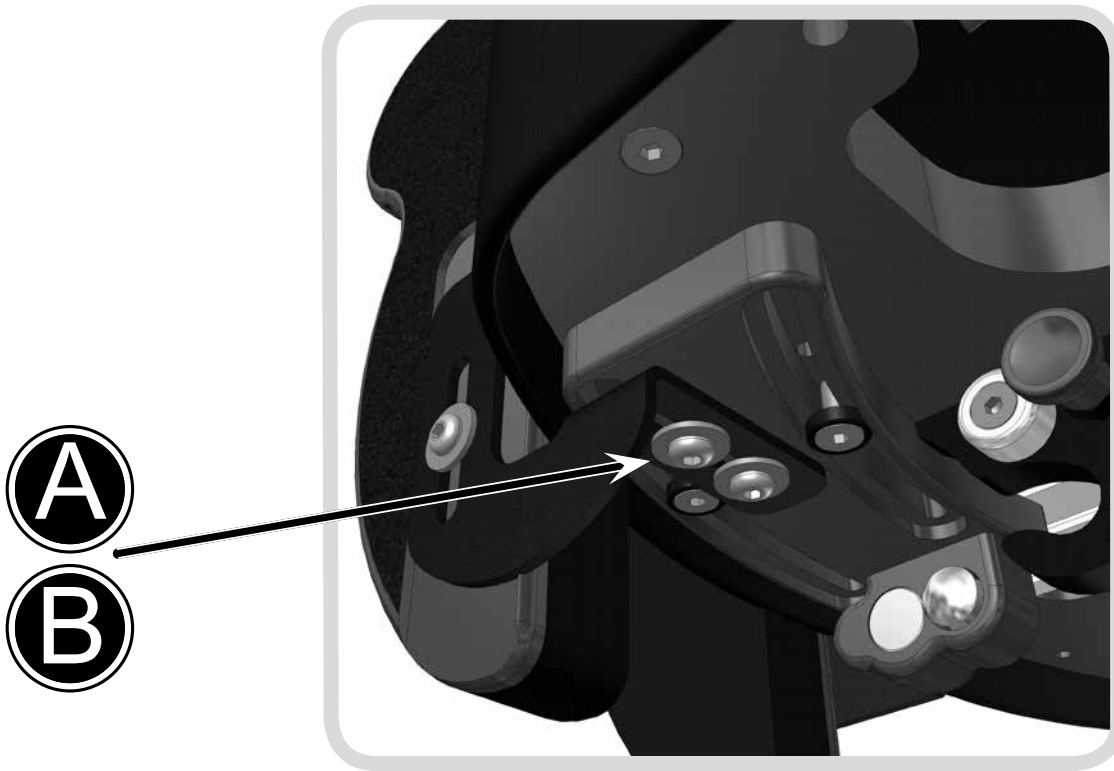
Abducting the legs

- With Screws A still loose, rotate the inner thigh pad to the desired position.
- Once attained, lock off screws using the 4mm Allen Key provided.

Flip Down the Inner Thigh Pad (To facilitate Transfers)

- Press and Hold Button C, whilst flipping down the inner thigh pad.
- To reengage the inner thigh pad, simply rotate back up and into place until it latches securely.





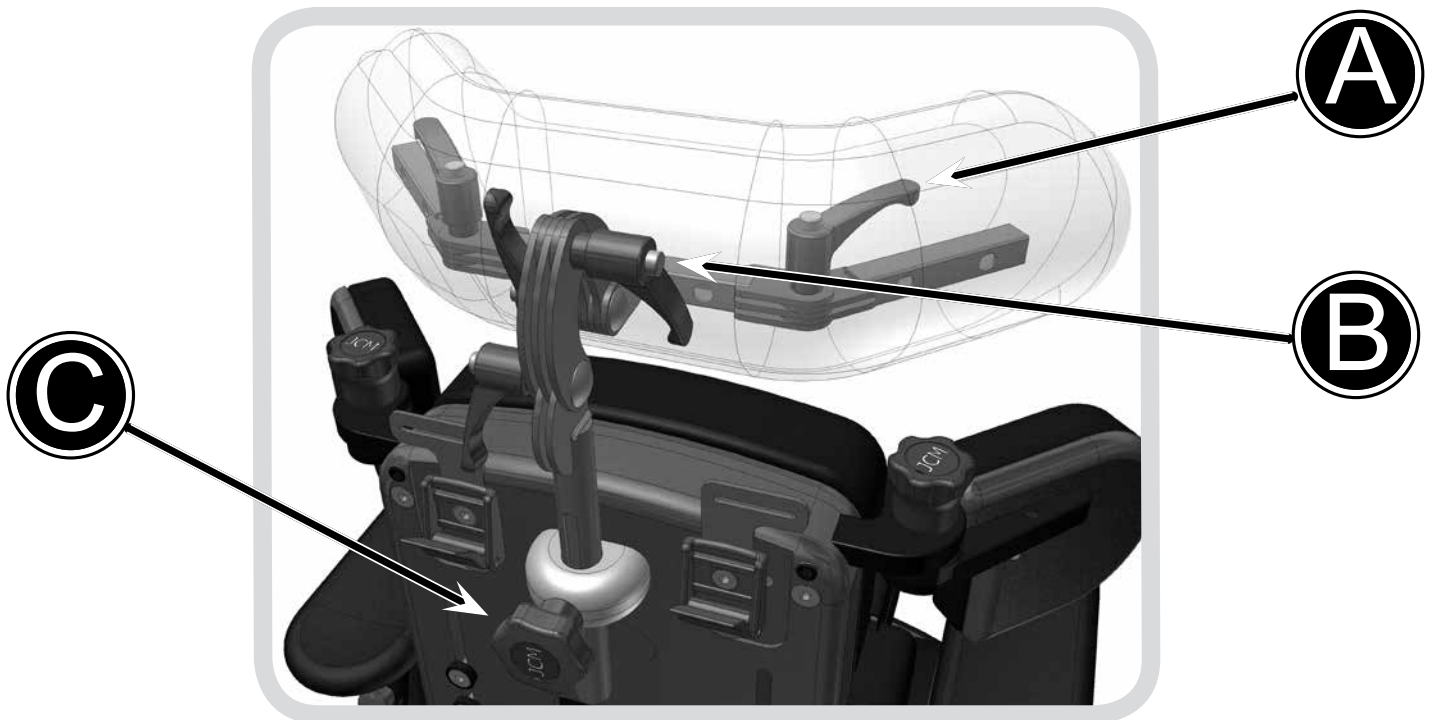
Outer Thigh Pad Fitting & Adjustment

- To fit the outer thigh pads, Screws A complete with Washers B should be inserted through metal adductor bracket into the dedicated holes on the plastic carrier plate.
- Tighten each screw using the 4mm Allen Key provided.
- Once held on (but not fully locked off) you can continue to set the other adjustment.

Adducting the Legs / Setting Channel Width

- With Screws A still loose, slide the outer thigh pad along it fixing slot to the desired position.
- Once attained lock off screws using the 4mm Allen Key provided.

Headrest Adjustment



Adjusting the Wing Angle

This adjustment point allows you to move the wing position to offer more side support to the head. This adjustment point allows you to alter the angle of the headrest to support the head and neck.

- Unzip the headrest cover at the back and loosen the lock lever (A).
- Adjust the sides of the headrest into the desired position.
- After desired position has been reached tighten the bolts to secure in place.

Perform this for either side wing of the headrest.

Adjusting the Headrest Angle

- Levers (B) should be operated together to achieve the desired head positioning of the user. Loosen the levers by turning anti-clockwise.
- Once loose, the head support angle can be manually adjusted to suit the user.
- Tighten the levers to secure in place.

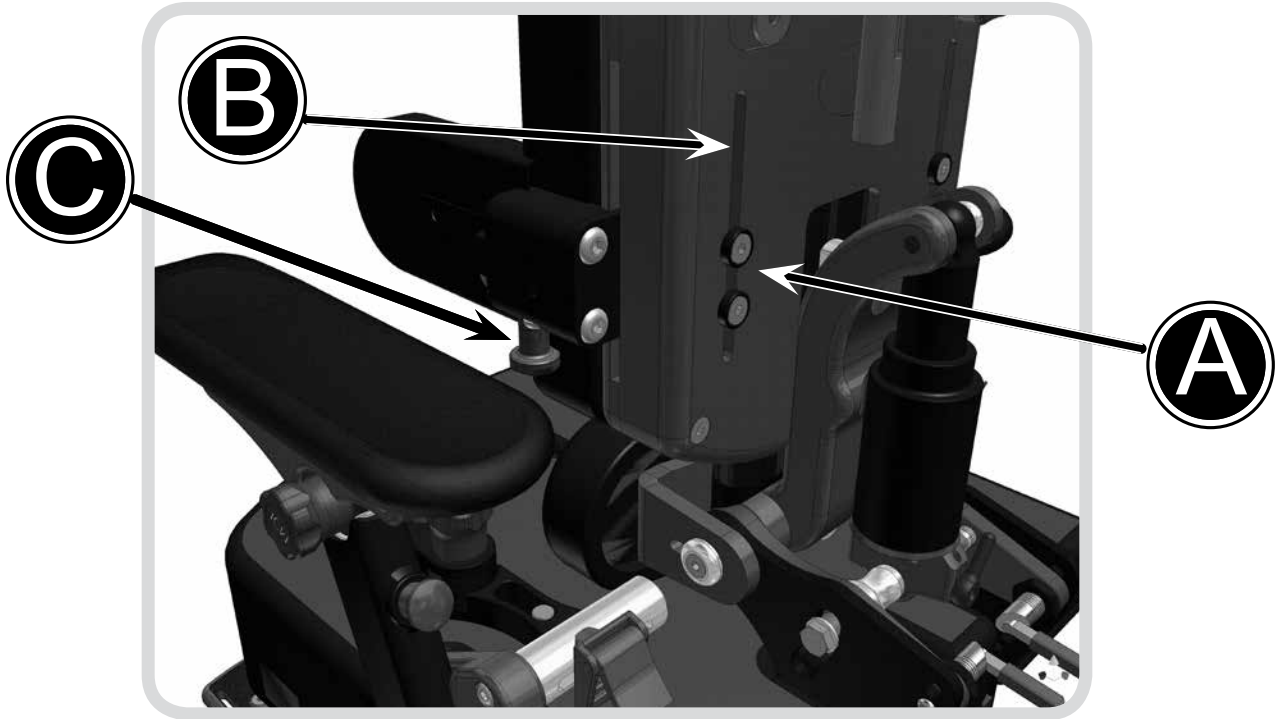
Adjusting the Headrest Height

- Loosen the hand wheel (C)
- Slide the headrest up or down inside the bracket on the back of the chair.
- Re tighten the hand wheel to secure in place.



Always check that the headrest is secure and the wings are not tight around the head. The headrest wings are ideally set at 45 degrees to the back.

Lateral Support Adjustment



Height & Width of Supports

- Loosen both bolts (A) using the allen key provided.
- Slide the pads up or down along the slot in the seat back (B) to adjust the height.
- Slide the pads horizontally to adjust the width.
- Re tighten the allen key bolts to secure.

Flip Away Action

(Where Fitted)

- Pull plunger (C) downwards.
- Flip the supports away to aid transfer or set up.
- When ready push the supports back in, until they lock in place.

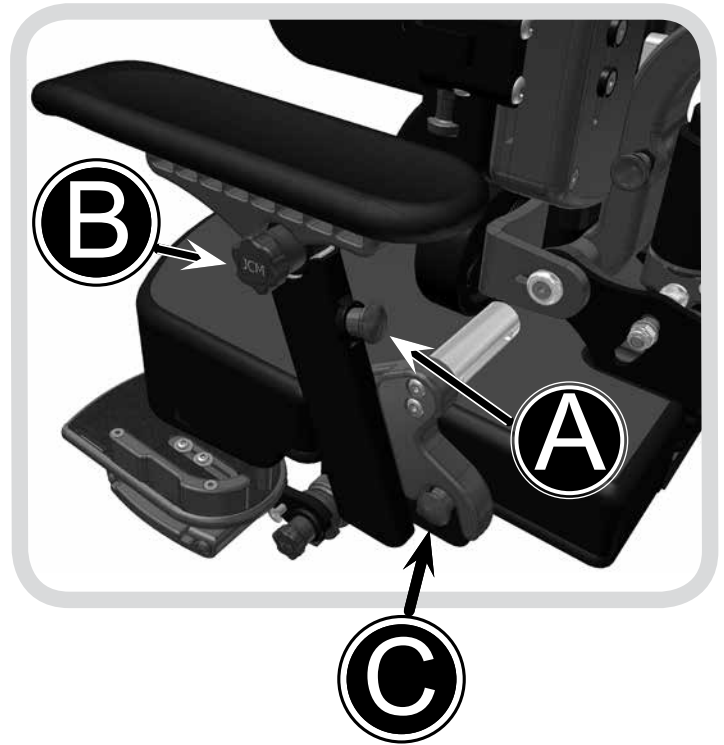


Check that the supports are not too high under the arms of the user or tight around chest area by running your fingers around the inside of the supports. Also check that the supports do not infringe on any feeding tubes.

Arm Rest Adjustment

Adjusting Arm Height

- (A) highlights the plunger which is used to adjust the height of the arms and therefore in turn the height of the tray.
- Pull plunger (A) outwards away from the arm, and while holding the lever open slide the arm up or down, selecting one of the holes which come into view as you raise the arm up from its lowest position.
- When a suitable position has been acquired, lock the arm into place by releasing the lever, ensuring it fits securely back in place.



Adjusting Arm Angle

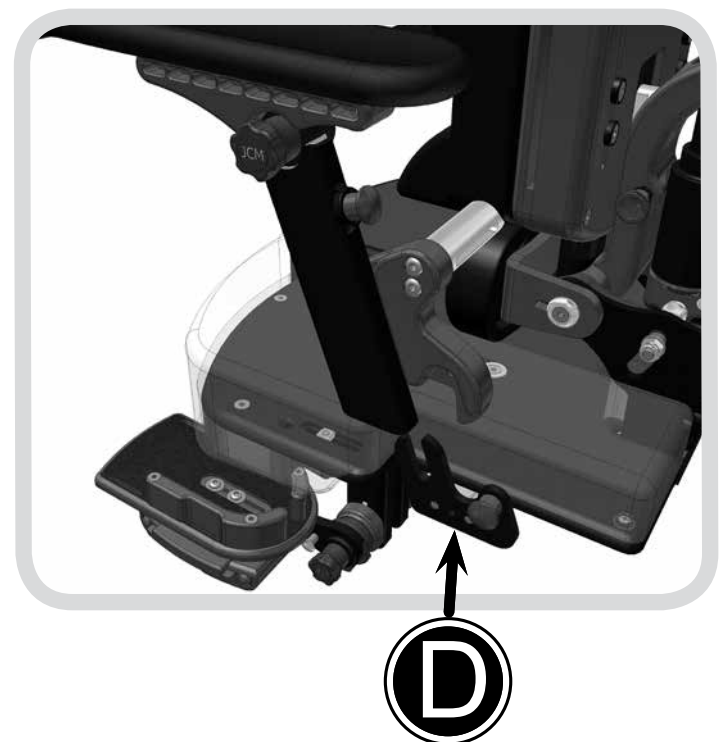
- To set the angle of the arm top you should loosen the securing handwheel (B) by rotating a couple of turns in an anti-clockwise motion.
- Once released the arm top can be positioned by pressing down on the handwheel whilst simultaneously altering the angle using your other hand.
- Once the desired position has been achieved you should release the handwheel and re secure it by turning in a clockwise direction until hand tight.

The plunger (A) should pull out freely, if resistance is felt ensure no weight is being put through the arm rest.



Removing The Armrest (Facilitates Side Transfer)

- To remove the arm rests entirely (complete with the attached hip pad), pull plunger (C) outwards and hold in the outward position with one hand. Use your other hand to lift the complete arm rest assembly upwards away from the seat.
- To replace, reverse the operation, lowering the arm rest assembly back onto the fixation plate (D), holding open the plunger to allow it to engage fully before releasing the plunger to lock the arm back into position.



Arm Top Angle – As an Alternative you can position the Arm Top without pressing down the handwheel, though this has potential to shorten the life of the locking mechanism and is therefore not recommended)



Always ensure that the arms are securely fixed before using the chair.



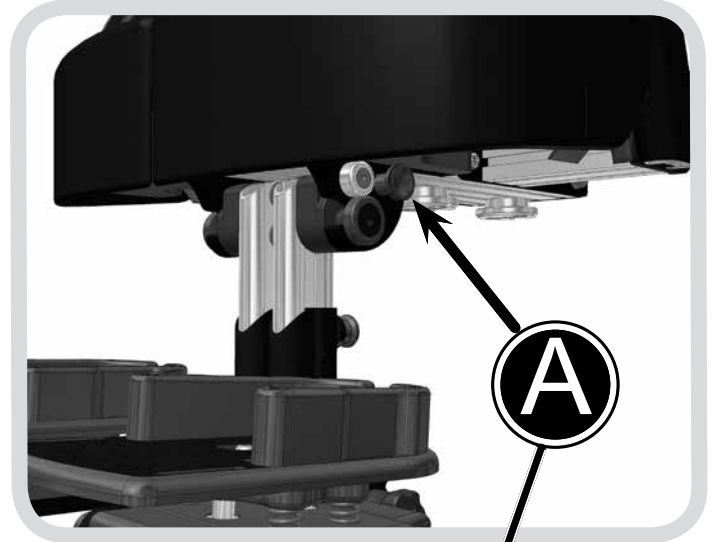
Legrest Adjustment & Removal– Split Option

Note:

When fitted with Split Leg Stems/Footplates, it is possible to set the angle for both left and right stems independently. To do this follow the instructions below for each leg stem.

Angle Adjustment

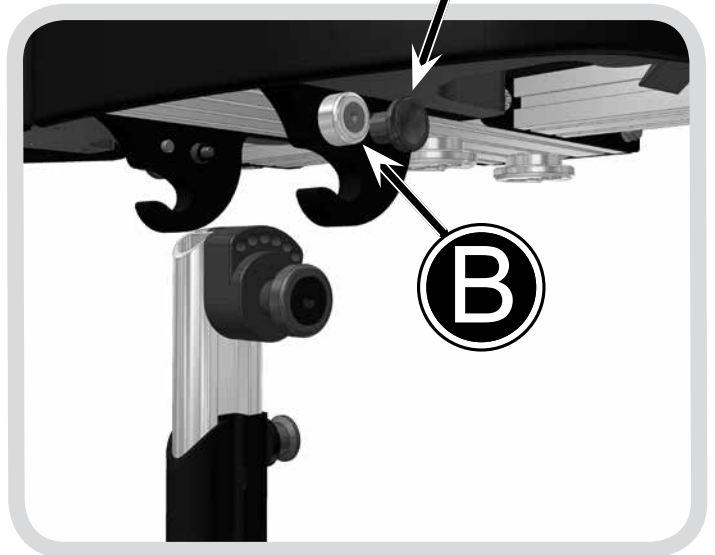
- Pull and Hold Out plunger A with one hand before adjusting the legrest angle with your other hand to the desired angle.
- When you have achieved the desired position, release the plunger to secure in the next available locking position.
- Ensure the plungers are securely located in position.



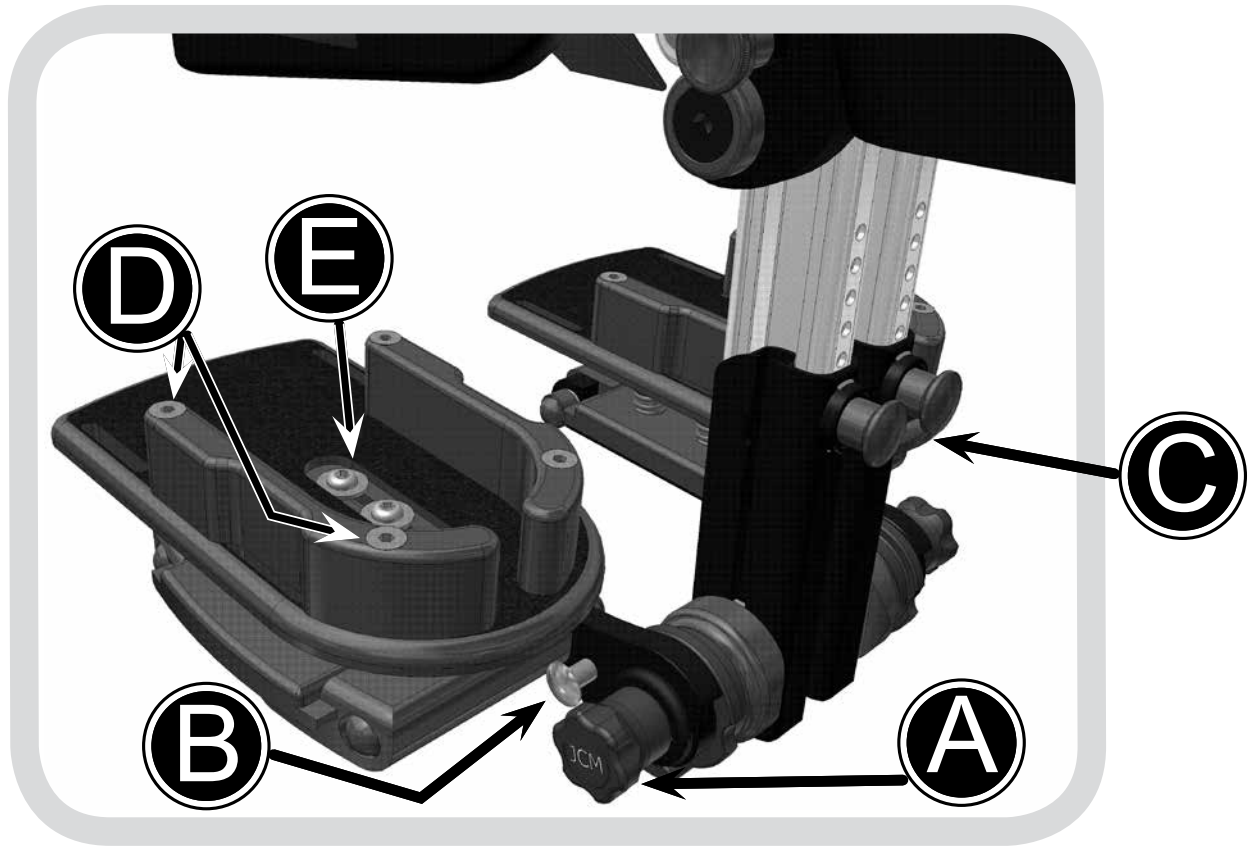
Removing the Leg Stem (Facilitates Standing Transfer)

Note: Removal of the Footplates can also help when packaging for transportation or when the seat is to be utilised on a chassis with its own integrated footplates.

- To Remove the Leg Stems Entirely (complete with the attached footplate), remove safety boss B using the 4mm Allen Key Provided.
- Once removed, Pull and Hold Out Plunger A with one hand, using your other hand to rotate and pull away the Leg Stem entirely from the main seating unit.
- To replace, reverse the operation, locating the leg stem onto the fixation Hook C, holding open the plunger to allow it to engage fully before releasing the plunger to lock the leg stem into position.
- Finally refit the safety boss using the 4mm Allen Key provided.



Foot Positioning Adjustment



Footplate Angle Adjustment

- To set the angle of the footplate you should loosen the securing handwheel A by rotating a couple of turns in an anti-clockwise motion.
- Once released the Footplate can be positioned by pressing down on the handwheel whilst simultaneously altering the angle using your other hand.

Once the desired position has been achieved you should release the handwheel and re secure it by turning in a clockwise direction until hand tight.

Flipping Up the Footplate

(Facilitates Standing Transfer)

- Press in Button B with one hand, using your other hand to flip up the footplate.
- To flip back down, simply rotate the footplate down until it latches back into place.

Footplate Height

- Pull and hold open Plunger C, whilst maintaining hold of the footplate with your other hand.
- Once disengaged, the footplate stem should be free to slide up and down the legrest stem.
- Slide to the desired position before releasing the Plunger to engage it within the closest available location hole.
- Ensure the plunger is fully engaged before commencing use of the chair.

Foot Holder Positioning

Note: The Foot Holder/Plate can be adjusted for Foot Size, Fore & Aft, Side to Side (width between feet) and Foot Angle (in conjunction with Ab/Adduction) Each of these adjustments is covered below.

Foot Size

- Turn locking screws D anti-clockwise half a turn using the 4mm Allen Key provided
- Slide the Heel guide in or out to narrow/

widen the space available for the foot.

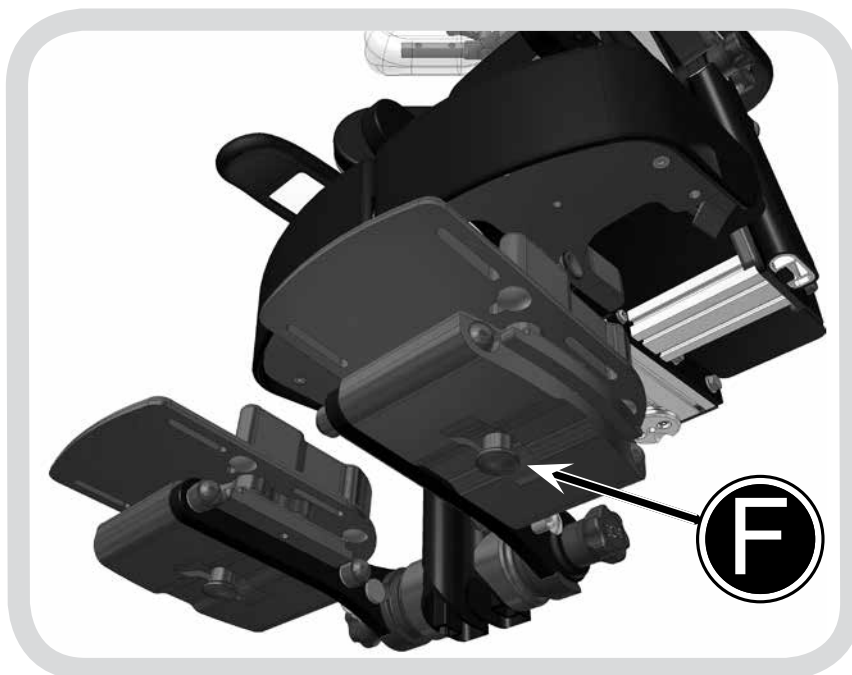
- Repeat for the opposing Heel Guide if require before re-securing the locking screw D to hold them in place.

Fore & Aft & Rotation.

- Turn Locking Screws E anti-clockwise half a turn using the 4mm Allen Key provided.
- Slide the entire foot holder forwards or backs whilst simultaneously setting the rotation of the plate.
- Once the desired position has been acquired re-secure the locking screws to hold back in place.

Side to Side/Width Adjustment

- Pull and hold open Plunger F, whilst maintaining hold of the footplate with your other hand.
- Once disengaged, the footplate holder should be free to slide sideways, bringing the feet together/apart as required.
- When you have achieved the desired position, you should release the Plunger to engage it within the closest available location hole.
- Ensure the plunger is fully engaged before commencing use of the chair.



Foot Straps

Foot straps or ankle huggers can be attached through the slots in the sandal to secure feet. Feed the strap through the buckle and close the buckle shut to secure.

Plunger C should pull out freely, if resistance is felt ensure no weight is being put through the footrest.



Footplate Angle – As an Alternative you can position the Footplate without pressing down the handwheel, though this has potential to shorten the life of the locking mechanism and is therefore not recommended.



Do not use foot straps unless the client is wearing shoes.



Setting Up the Dynamic Back Mechanism



Never modify your shock system. Modification, improper service or use of non-SR SUNTOUR spare parts voids the warranty and could cause a malfunction resulting in serious injury.

Follow the maintenance schedule, if the shock system shows any malfunctions such as losing oil, making unusual sounds or any part is bent or broken, cease use of the seating system immediately and contact JCM for assistance.

Never try to open or disassemble the shock system. Opening the shock system could cause serious injury.

Setting the Strength of Resistance & Power of Return

For maximum performance and comfort, it is necessary to adjust the strength of resistance and power of return of the dynamic mechanism. The resistance is adjusted by varying the air pressure and should be determined by the user's weight, seating position, seat design and personal preference.

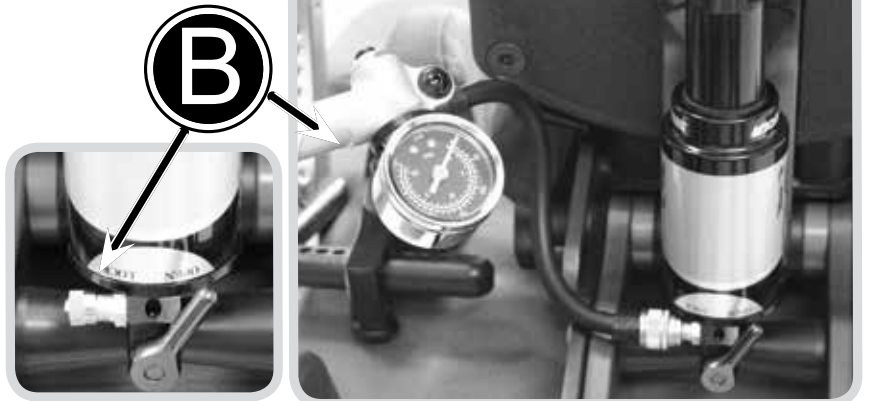
The air pressure is adjusted with a standard schrader valve shock system pump (A) on the main air valve of the dynamic mechanism.



Strong Resistance - Increasing the Air Pressure

The shock system is more difficult to compress during use. The seat back feels firmer when pushed against.

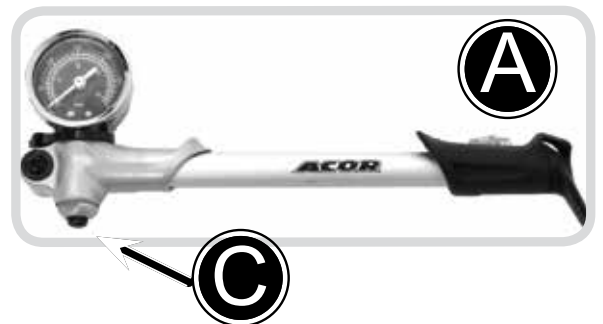
- Attach the pump to the air valve on the back of the dynamic mechanism (B).
- Pump air into the valve to increase pressure.
- Watch the pressure valve dial on the pump to determine the amount of pressure added.



Weak Resistance - Decreasing the Air Pressure

Makes the shock system compress more easily. The seat back feels softer when pushed against.

- Press button (C) on the pump and keep depressed until the air pressure resistance achieves required level.



The pressure range is 50-250psi. Never exceed an air pressure of 250psi in the uncompressed shock system. Exceeding the maximum air pressure of 250lbs/inch could result in serious injury.

Setting the Power of Return

The power of return controls the rate at which the shock system decompresses or rebounds. The amount of return strength needed depends on the user's weight, the spring rate which is set by the air pressure, the amount of use, the sitting style and personal preferences.

The best way to adjust the return strength is to decrease it completely by turning the red adjuster wheel (D) clockwise (labelled slow) and test by placing the user in the seat. Increase the damping by slowly turning the wheel counter clockwise (labelled fast) until the user feels comfortable and safe without the suspension kicking the user too far forward.



Disengaging the Mechanism

Occasionally at meal times etc it is necessary to disengage the dynamic mechanism. To do this:

- Lock the system by switching the lever from the "open" to "locked" position on the lever on the shock system.
- The mechanism should not be left in the 'locked' position as part of normal use. You should ensure the mechanism is returned to the 'open' position once the activity demanding the lock out has been completed.



Maintenance Schedule:

The rear shock systems need a minimum of maintenance only:

- Use water and soap only to clean the system - never use a high pressure washer or any water under pressure to clean the shock system as water may enter the system.

Before every use:

- Check air pressure (it is normal for the shock system to lose air pressure slightly over time) - Check to ensure it is appropriately set for your client.
- Adjust power of return set up to ensure it is set appropriately for your client.

The extensive service of the shock system internals must only be done by an authorized technician.



WARNING!

Please note that your SR SUNTOUR rear shock is filled with oil and nitrogen. This makes it impossible to open the rear shock without having the knowledge and special tools required to carry out this task. Please do not try to open the rear shock for service issues, this implies a very high risk of getting seriously injured. Besides this you will not be able to reassemble the shock any more. Opening the shock will void its warranty.

If there is a problem with your rear shock, cease use of your chair immediately and contact JCM Seating Solutions.

Cleaning & Care

We recommend the following points for successful cleaning of your equipment. (It is possible that some surface wrinkling may occur following these processes)

Fabric Upholstery Care

Refer to JCMs separate fabric cleaning guide which can be found on their website www.jcmseating.co.uk or in hardcopy format from the JCM office. Do not use bleach, acidic, solvent, abrasive, biological or phenolic based cleaners.

Metal Framework

- If all upholstery is removed the metal framework can be cleaned with hot soapy water and detergent or it can be steam cleaned. (Labelling may need to be replaced following steam cleaning).
- Ensure that the framework is thoroughly dried after cleaning.
- Always ensure that any moving or adjustable parts are re-lubricated.

General Maintenance



General maintenance should be carried out by a competent, professional person who is well informed on how to use the equipment (see warranty - page 33) if there is no such person available or a more thorough check is needed, a service via an approved repairer (see opposite) should be booked. The person who carries out the maintenance check or service should always fill out the service history log record (page 32) in order to ensure the warranty remains valid.

As documented opposite, the degree of maintenance required is dependant on various factors relating to the use of the product. In addition to the specific functional adjustment warnings specified in this manual, it should be ensured that a thorough inspection of the following should be completed at no greater than 6 month intervals: (Points listed here are generic across the JCM range and do not apply to all products).

Castors	<ul style="list-style-type: none"> • Lift base and check each wheel to ensure it is not damaged, loose or worn.
Brakes	<ul style="list-style-type: none"> • Removing any grease or dirt that has built up on the wheels, check that the brakes stop the wheels rotating. • Check they are securely fixed in place & that there are no signs of damage or wear & tear.
Pushing Handles	<ul style="list-style-type: none"> • Ensure handles are functioning correctly. • Check there are no signs of damage or wear and tear. • Ensure push handle grips are secure.
Seat Tilt In Space Mechanism	<ul style="list-style-type: none"> • With the tilt lock released check for free movement with no signs of damage or wear to the mechanism, lever or cables. • Tighten the lock and ensure it holds the seat angle.
Base Height Adjustment	<ul style="list-style-type: none"> • With the seat unloaded, press the lever & ensure it moves freely to the maximum height. • In incremental stages add weight up to the maximum load (40, 60, 80 or 100kgs) and, over a period of time (approx 10 - 15 minutes), check that there is no creep (lowering) of the seat. If it is not practical to perform this test, as a minimum requirement, immediately following the maintenance check, the static position of the seat should be monitored whilst a user is positioned in the system. • With the load on, press the lever & ensure the seat travels freely to the lowest position.
Seat / Backrest Upholstery	<ul style="list-style-type: none"> • Check the attachment points of the seat and backrest upholstery are tight. • Check for worn covering. Rough worn upholstery can cause discomfort, would be difficult to keep hygienically clean, and may cause skin irritation.
Interface	<ul style="list-style-type: none"> • Check there are no signs of damage or wear and tear. • Ensure the function secures the seating unit properly.
Frame With correct maintenance the frame should provide at least 5 years trouble free use but, depending on conditions of use, wear will occur and a thorough inspection is recommended.	<ul style="list-style-type: none"> • Check all metal parts to ensure there are no signs of damage or wear and tear, paying particular attention to adjustable or moving parts. • Check there are no signs of failure in joints and welds. • Check tightness & security of all fixings, bolts, nuts, spring loaded pegs, & other fitments. • Check for signs of fatigue wears, replace parts that show signs of wear or repeatedly becoming loose. • ANCHOR POINTS (where applicable) for transportation must be checked to ensure security, check there are no signs of damage, wear and tear or failure.
Fixtures	<ul style="list-style-type: none"> • Check arm pads and headrest and replace if worn.

Servicing via Approved Repairer

What should be completed during a service?

A service is a comprehensive combination of inspection, maintenance and repair or replacement of worn, faulty or missing components. The growth and any changes of the occupants needs since the original assessment is taken into account when performing the service. This is in contrast to general maintenance (opposite), where only straightforward checks, inspections and adjustments take place and primary services are planned.

What happens if a fault is found?

If any faults are found that could prove to be a risk to either the user or the operator then all use of the equipment should be ceased immediately until the product has been repaired.

Who should carry out the service?

It is stressed that only a JCM approved repairer or a person with competent training of a Class 1 medical device should carry out this work.

Any modifications must not be carried out without prior agreement of JCM Seating Solutions Ltd. It must be understood that unauthorised modifications may pose a risk to users and attendants. Unauthorised modifications will also invalidate the warranty.

Any new parts required should be genuine JCM Seating Solutions Ltd. approved parts, fitted to JCM specifications.

Frequency of Service

JCM recommend that a service of this product is completed once every 6 months as a minimum. However, the frequency of inspection and service must be altered depending upon the severity of use. If the system is used in any of the following ways then the use could be said to be fairly heavy and constant. Therefore we would recommend the service interval be reduced to once every three months;

- Daily for around 8 to 10 hours.
- Weekly for at least 6 days out of 7.
- Monthly for at least 11 months a year.
- By an active user or somebody who is very active voluntarily or involuntarily.
- By a user who is above 80% of the maximum user weight recommended.
- Transported in a moving vehicle twice or more in a day.

If the usage exceeds the amount highlighted above it is possible that services every six weeks or less might be needed.

How To Book A Service

JCM have specified technicians trained to service our products. If you would like JCM to service your chair or for further information please contact us on 01733 405830.

Alternatively, contact the person who issued you with the product.

Service Record Log

This log is an important record of usage and care of the product. It is a primary tool in predicting the need for further service and maintenance. It should be completed each time an inspection, service or any other significant manipulation has taken place. JCM Seating Solutions Ltd. will require proof of service for any warranty claims or orders.

Seating system serial number _____

Date delivered _____/_____/_____

Battery use by date _____/_____/_____

Date	Service Performed	Organisation	Print Name & Sign

Please contact JCM if additional log sheets are required.

Warranty

3 YEAR WARRANTY

Products manufactured by JCM are covered with a manufacturers 3 year warranty.

What it Covers

The warranty covers all aspects of product failure due to faulty workmanship or manufacturing.

Period of Cover

The period of the warranty runs for 3 years from the date that the product is dispatched.

The Work JCM is Obligated to Complete

JCM's obligation under this warranty is to replace or repair any defective goods within the period of the warranty free of charge.

What the Warranty Does Not Cover

- Items that are damaged or fail due to natural wear and tear, extreme usage, neglect or misuse.
- Accidental damage, modifications or repairs carried out by a third party unauthorized by JCM or non professional healthcare representative.

Customer Responsibility

To ensure the warranty remains valid, customers are advised that servicing, maintenance and re-issuing guidelines must be followed and documented as stated in the manual.

JCM will require proof of service (see opposite) for any warranty claims or orders.

When making a claim JCM reserve the right to inspect the product and all necessary documentation.

Only valid for products purchased after 1st April 2006. Applies only to products exclusively manufactured by JCM.



3 YEAR WARRANTY

IMPORTANT

JCM Seating Solutions Ltd. will not be held responsible for any damage or injury caused by incorrect use of this product. For any information or guidance on the use of this product please call our office who will put you through to your local representative or send you any additional information you may require.

Tel: 01733 405830

Inspecting & Reissuing of Equipment

Most JCM Seating Solutions Ltd. products are individually assessed for a client prior to issue. They are handed over in a controlled way to ensure optimum fit and specification, checks are completed and any additional individual verbal instructions given. We therefore recommend the following points are adhered to prior to any re-issue of equipment:

- **Cleaning**

Follow a rigorous process of cleaning in order to decontaminate the product and eliminate the chance of cross infection.

- **Assessment of Fabrics / Foams**

Carefully assess the condition of fabrics and foams in the seating product, and have these replaced partially or even completely if need be. In severe cases if the chassis is worn and the seating in poor condition it may be necessary to have the product re-furbished by the manufacturer. In very severe cases if the chassis is badly worn and the seating in very poor condition then the product should be decommissioned and disposed of.

- **Electrical and Electronic Equipment Decommissioning**

If your product is set up with an electrical function you should always contact JCM or your authorised representative for de-commissioning information.

- **Appropriateness of Equipment**

Check that the equipment supplied is appropriate for the needs of the user taking age, weight, ability, diagnosis, and any other important factors into account. For instance, JCM Seating Solutions Ltd. products may not be suitable for persons with severe challenging patterns of behaviour. Also ensure safe specified limits for use are not exceeded by the new user. Your sales representative can advise on the suitability of the equipment.

- **Manuals and Records**

Ensure this instruction manual and any additional manuals for the seating unit are handed over to the new user with the equipment and ensure the servicing log history is up to date. Records on the new user must be updated to maintain traceability.

- **Inspection**

The equipment should have a rigorous inspection prior to the reissue, to include the points covered in the six monthly routine check, regardless of if the checks were recently completed. The equipment should be free of excessive wear or distortion in any aspect of its main construction or accessories.

- **Condition**

Wheels, tyres and brakes must be in good working condition, properly adjusted and inflated as appropriate.

- **Accessories**
Check all accessories carefully for damage and potential shortcomings which may pose a risk to the user.
- **Function**
Ensure that all the functions of the chair are working correctly e.g. tilt in space, height adjustment, back recline, folding etc.
- **Fixings**
Check that any knobs, hand wheels, nuts, bolts, levers and fixings are in good condition and fitted in place securely.
- **Modifications**
Any special modifications, adaptations, alterations or other such procedures including added accessories may require review. If they are found inappropriate, remedial action (if considered safe and practical) should be taken to reverse them if possible.
- **Labelling**
Any labelling specific to the previous user should be removed and replaced with labelling specific to the new user.
- **Adjustment**
Adjustment of the equipment to the new user must be carried out by suitably qualified and experienced professionals. These adjustments along with the other appropriate checks and tests should be completed with the owners knowledge and agreement.
- **Hand Over**
Competent handing over of the equipment to the new user or attendant must include proper training and advice in safe use, particularly regarding transportation issues.
- **Packaging**
Always ensure that the chair is packaged correctly before delivery.
- **Handle Fitting**
Please note that the handle fitted is dependent on the size of the chair. You therefore need to ensure the size label on the handle matches the size of the chair being used.



15 -18 Maxwell Road,
Woodston Industrial Estate,
Peterborough,
Cambridgeshire
PE2 7HU

Tel: 01733 405830
Fax: 01733 405838
Email: enquiries@jcmseating.co.uk



INVESTOR IN PEOPLE

